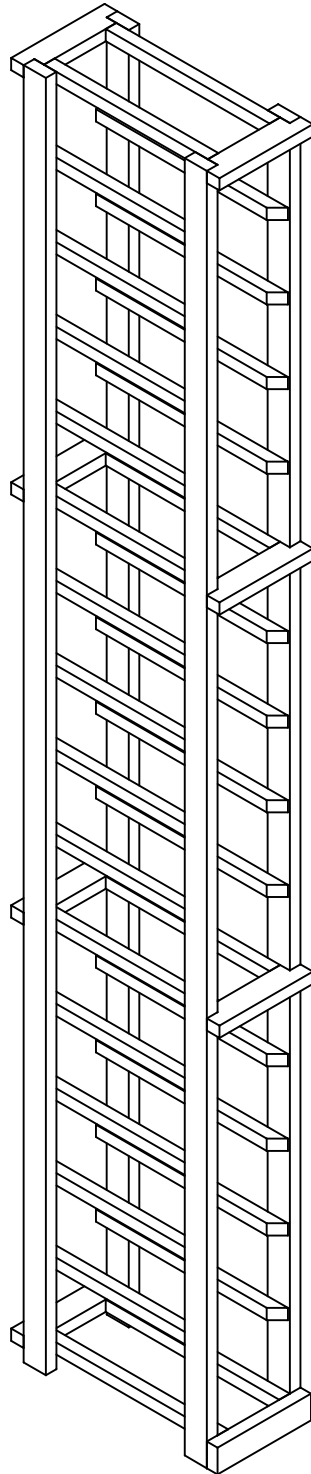


Designer Series

Individual 1 Column Magnum



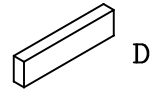
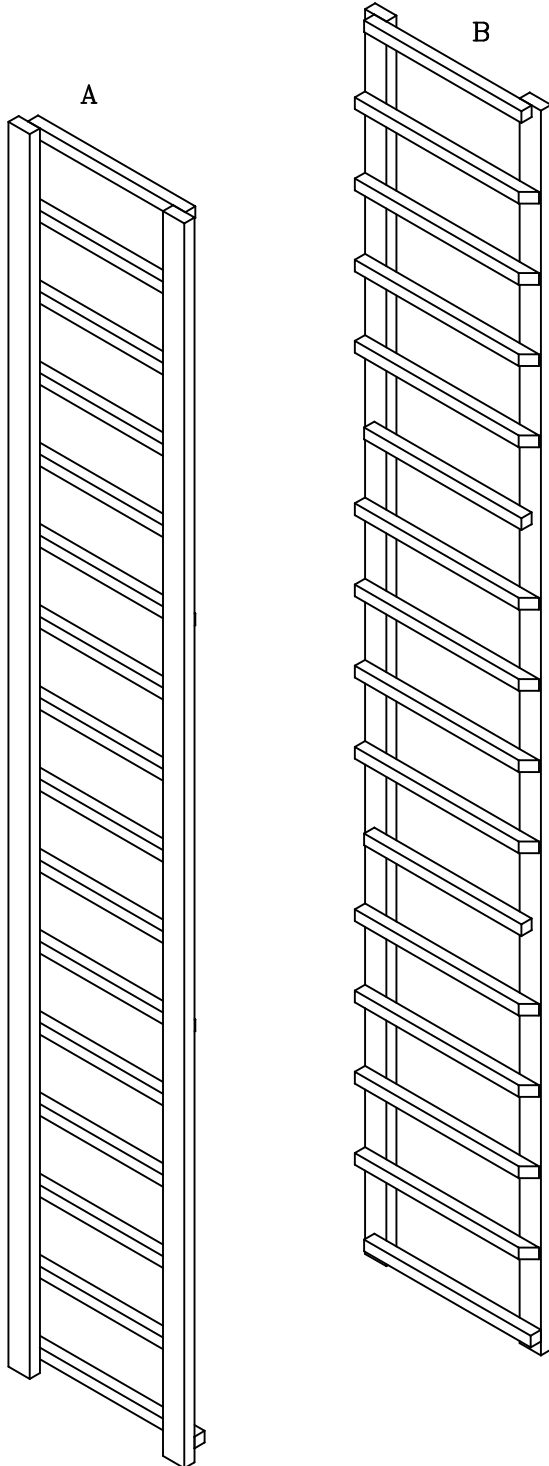
Wine Cellar Innovations
4575 Eastern Avenue
Cincinnati, Ohio 45226

Phone: (800) 229-9813
Fax: (513) 979-5280
www.winecellarinnovations.com

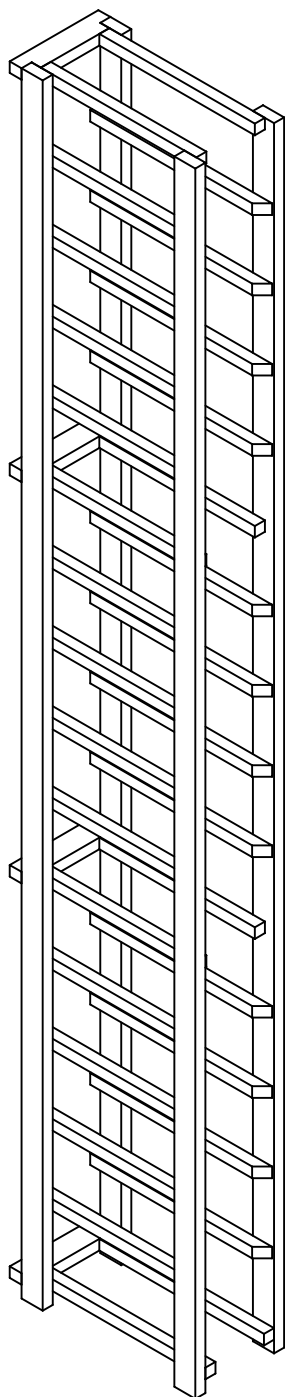
Individual 1 Column Magnum

Parts List

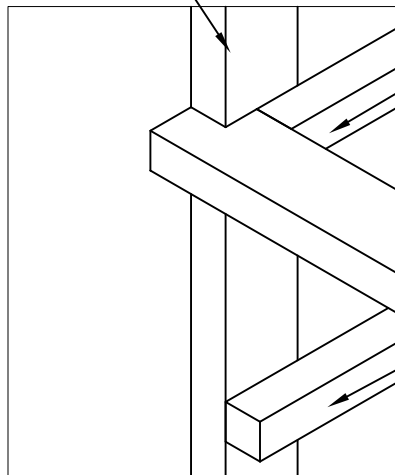
#	qty.	description
A	1	Left
B	1	Right
C	7	Spacer Bars
D	1	Sq. Cut Base
*	1	Bag of nails
*	1	Hardware Pack containing 2 angle brackets 2 plastic anchors 2 1" #8 screws 2 5/8" #6 screws



1. Attach (4) spacer bars to back of racks with nails



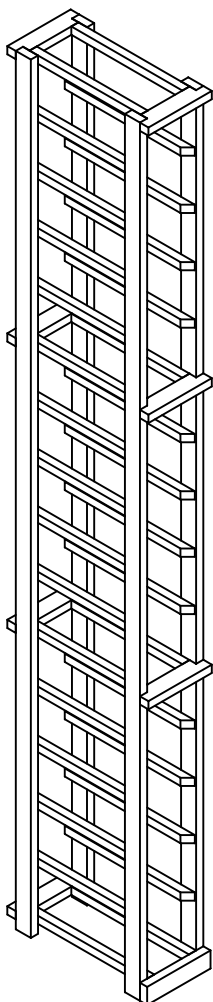
1x2 post



1x1 rails recessed to accept spacer bars.

1x1 rails between spacer bars are not recessed.

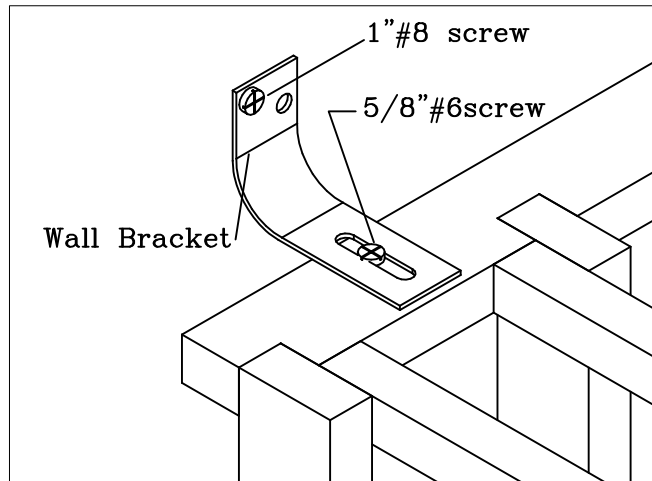
2. Attach (3) spacer bars to the front of the racks in the same manner as the back. Then attach square base if applicable. See below note.



Attach sq. cut base

Note: sq. cut base will not be used if additional base kit is purchased

3.



Secure rack to wall by attaching wall brackets to top back spacer bar. You will have 1 bracket on the left and 1 on the right.

Individual 1 column magnum
assembly complete.

always remove bottles before moving racks.

Wine Cellar Innovations
4575 Eastern Avenue
Cincinnati, Ohio 45226

Phone: (800) 229-9813
Fax: (513) 979-5280
www.winecellarinnovations.com