



166-Bottle Single Zone Red Wine Cellar

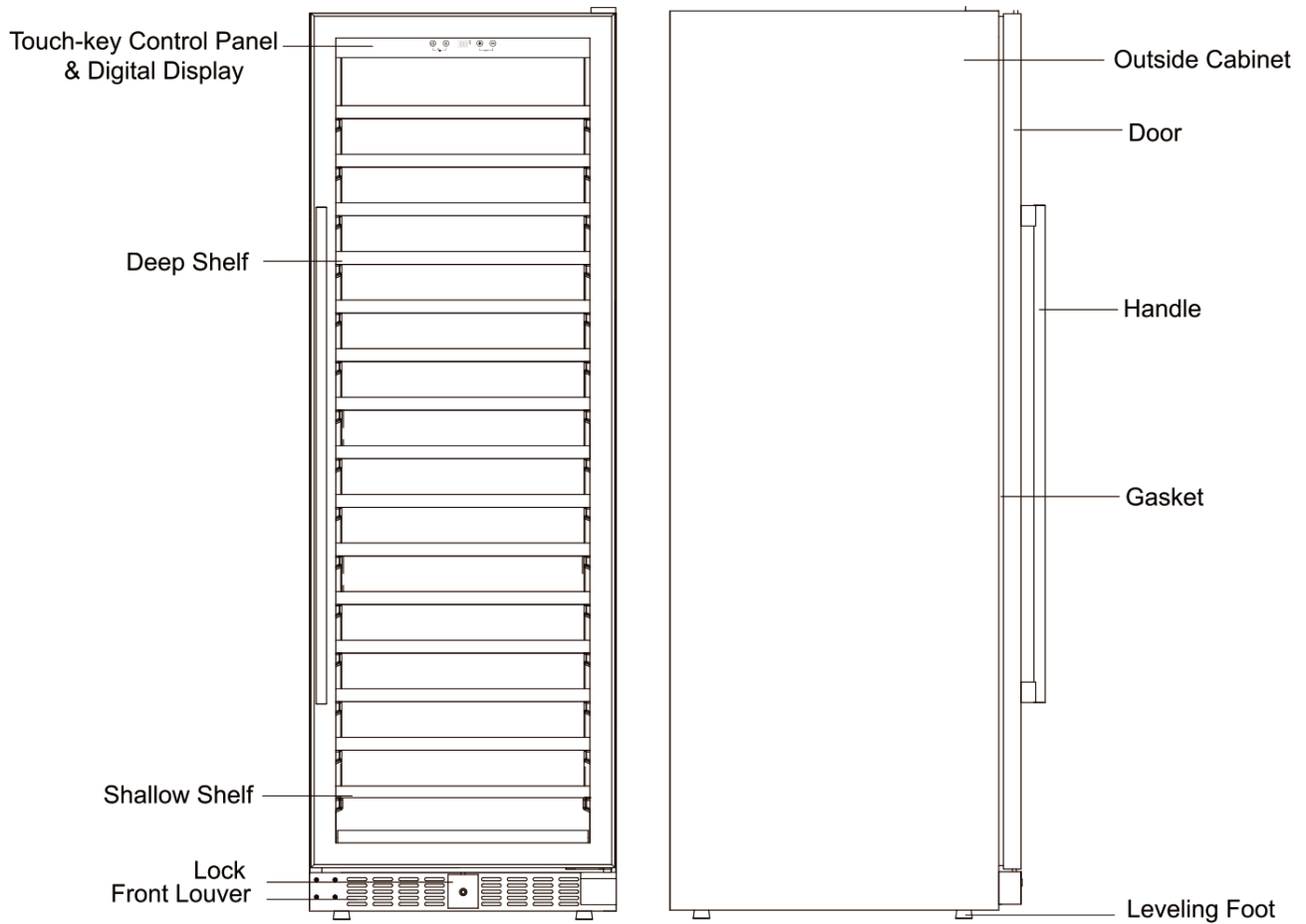
INSTRUCTION MANUAL

PLEASE READ THIS MANUAL CAREFULLY BEFORE INSTALLING AND OPERATING.

TABLE OF CONTENTS

Contents	Page #
Diagram & Description of Wine Cellar	3
Important Safety & Pre-Use Instructions	4
Installation Instructions	
(a) General Installation Instructions	4
(b) Installation of Built-In Unit	5
(c) Reversing Door Swing	6
Operating Your Wine Cellar	7
Temperature Settings	7
Layout & Storage	8
Removing the Rolling Shelf	9
Care & Maintenance	9
Troubleshooting Guide	10
Technical Information	11
Warranty Information	12

DIAGRAM & DESCRIPTION OF WINE CELLAR



YOUR WINE CELLAR ALSO INCLUDES THE FOLLOWING:

- Instruction manual
- 16 pull-out shelves(14 rolling)
- 2 keys
- 1 handle
- Top and bottom hinges/screws (for changing the door hinge)

IMPORTANT SAFETY INSTRUCTIONS

WARNING	To reduce the risk of fire, electrical shock, or injury when using your appliance, follow these basic precautions:
<ul style="list-style-type: none">● Read all instructions before using the wine cellar.● DANGER: Risk of child becoming trapped in new cellar, old wine cellar/refrigeration unit, or large boxes. Junked or abandoned appliances, boxes and other containers are still dangerous, even if they will “just sit in the garage for a few days”.● Before you throw away your old wine cellar or refrigeration unit: 1. Take off the door. 2. Leave the shelves in place so that children cannot climb inside.● Never allow children to operate, play with, or crawl inside the appliance.● Never clean appliance parts with flammable fluids. The fumes can create a fire hazard or explosion.● Do not store in the vicinity of any other appliance. Do not store near gasoline or any other flammable vapors. The fumes can create a fire hazard or explosion. <p style="text-align: center;">-Save these instructions-</p>	

BEFORE USING YOUR WINE CELLAR

- Remove the exterior and interior packaging.
- Before connecting the wine cellar to the power source, let it stand upright for approximately **24** hours. This will reduce the possibility of a malfunction in the cooling system from handling during transportation.
- Clean the interior surface with lukewarm water using a soft cloth.

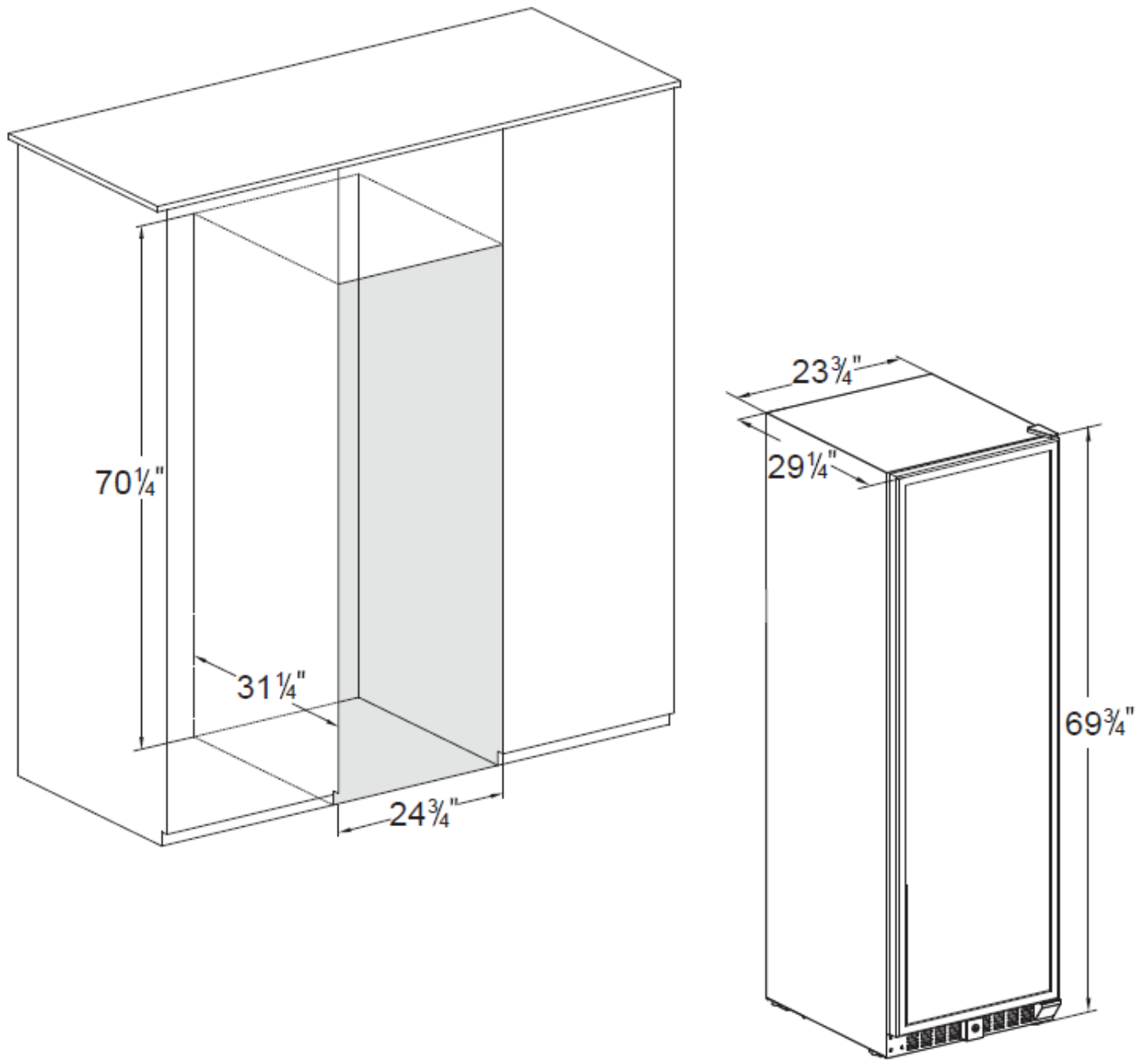
INSTALLATION INSTRUCTIONS

(a) General Installation Instructions

- This appliance is designed for free standing installation or can be recessed into cabinetry.
- Place your wine cellar on a flat, solid floor that is strong enough to support it when it is fully loaded. To level your wine cellar, adjust the front leveling leg at the bottom of the wine cellar.
- When moving your wine cellar, please do not incline it more than 45 degrees.
- Locate the wine cellar away from direct sunlight and sources of heat (stove, heater, radiator, etc.). Direct sunlight may affect the acrylic coating and heat sources may increase electrical consumption. Extreme cold ambient temperatures may also cause the unit to perform improperly.
- Avoid locating the unit in damp areas.
- Plug the wine cellar into a dedicated (for this appliance only), properly installed and grounded wall outlet. Do not under any circumstances cut or remove the third (grounding) prong from the power cord. Any questions concerning power and/or electrical grounding should be directed to a certified electrician or authorized product service center.

(b) Installation of Unit as a Built-In Cellar

The cutout dimensions illustrated below allows for door clearance and access to the pull-out shelves when installed as a built-in appliance.

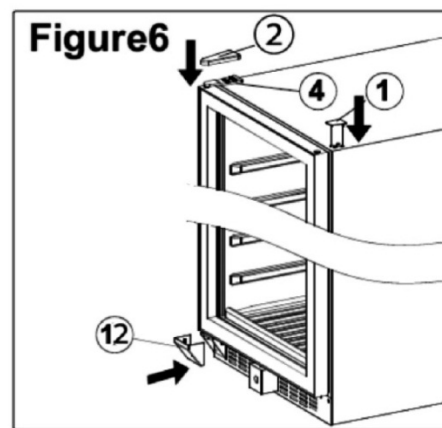
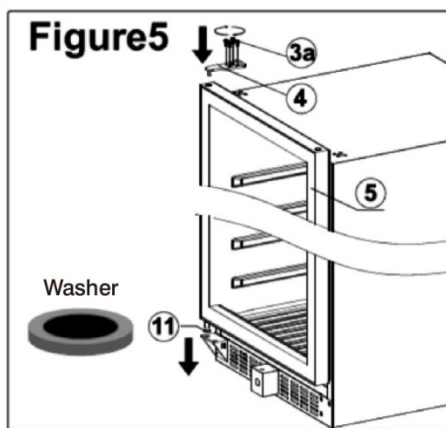
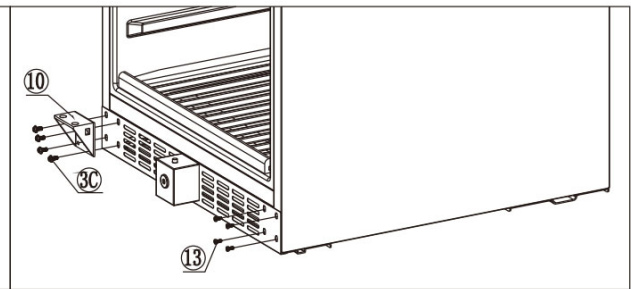
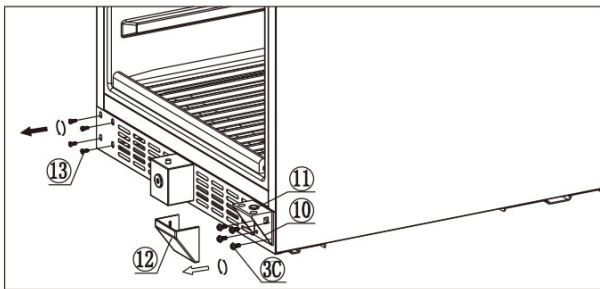
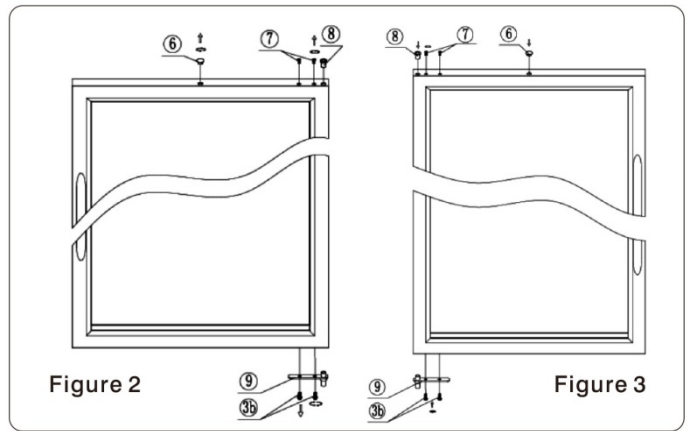
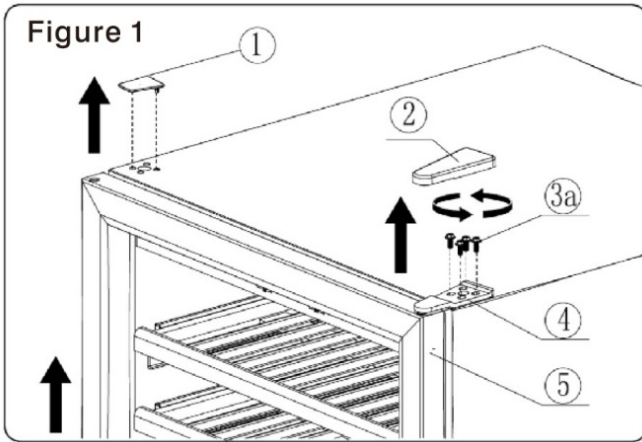


These cut out dimensions show the minimum space required for your wine cellar to perform as designed.

(c) Reversing the Door Swing of Your Appliance

Before you begin: Tape down shelves to avoid movement during the process

- The unit may have been delivered to you with the door opening from the left side (hinges on the right).
- The door of this appliance can be hung to open on the left or right side. To reverse the door swing of your cooler and open from the opposite side, please follow the instructions and diagram below.



1. Pry up the hinge cover (1) and hinge cap (2) using a flat head screwdriver. Using a Phillips head screwdriver, loosen the hinge screws (3a) and remove the top hinge (4). You can now lift the door (5) off the bottom hinge and set it off to one side. Be careful not to lose the washer (11) between the bottom hinge and the door. You will need this later. Also remove lock hole cap (6) and screws (7) and (8) from the top of the door. The lock cap can be pried up using a small flat head screwdriver.
2. Using a Phillips head screwdriver, loosen screws (3b) to remove the hinge support rod (9) at the bottom of the door. Rotate the door 180° so that the top is now the bottom and vice versa. Attach the bottom hinge support rod (9) to the bottom corner of the door and attach with screws (3b).
3. Using a flat head screwdriver, pry off the bottom hinge cover (12). Using a Phillips head screwdriver, loosen and remove screws (3c) and (13) and bottom hinge (10).

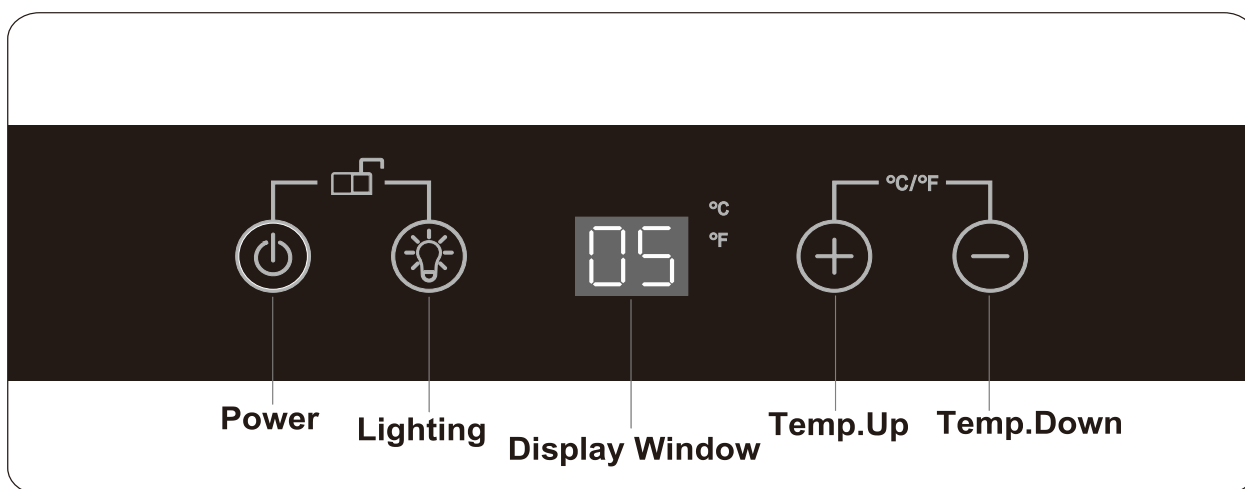
4. Move bottom hinge (10) to the opposite side and re-insert all screws (3c) and (8). Bottom hinge cover (12) should clip back onto the bottom hinge (10).
5. Place the washer (11) over the hinge support rod (9) and place the door back on the bottom hinge by aligning the hinge support rod (9) with the outer hinge hole on bottom hinge (10).
6. Re-attach top hinge (4) using screws (3a). Insert lock cap (6), screws (7) and (8), and clip on hinge cap (2).

Stainless steel doors include a handle centered in the middle of the door. There is no need to alter the location of the handle.

Glass doors include integrated door pull handles. There is no need to alter the location of door pull handles.

OPERATING YOUR WINE CELLAR

Each wine cellar includes an operating panel on the front of the unit. This operating panel includes several features to operate and control the temperature of the wine cellar. The operating panel includes the following features:



Power:	Turns the wine cellar system on or off.
Lighting:	Turns the interior wine cellar light on or off.
Power/Lighting:	Unlock button.
°C/°F:	Alters the temperature display to Fahrenheit or Celsius
Display Window:	Displays temperature
Temp. Up	Increases temperature .
Temp. Down	Decreases temperature.

BEFORE YOU START:

The wine cellar should be placed in a location where the ambient temperature is between 60-80° Fahrenheit. If the ambient temperature is outside this range, the performance of the unit may be affected. For example, placing your unit in extreme cold or hot conditions may cause interior temperatures to fluctuate.

Lock/Unlock

Your wine cellar includes a feature that will lock the control panel when if left untouched for 10 seconds. To unlock the wine cellar control panel touch the power and lighting buttons simultaneously for 10 seconds.

Setting Temperature

1. Make sure power cord is connected to a properly grounded outlet.
2. Turn power ON.

3. Set the desired temperature by pushing the **UP (+)** or **DOWN (-)** button. The temperature can be adjusted between 50°-66° Fahrenheit.
4. Temperatures increase or decrease 1°F with each push of the **UP (+)** or **DOWN (-)** button.
5. **NOTE:** Temperatures may fluctuate depending on whether the interior light is ON or OFF and depending on the position of the bottles.

Notes:

- If the unit is unplugged, loses power, or is turned off, you must **wait 3 to 5 minutes before restarting**. Attempting to restart the wine cellar before this time has elapsed may prevent the wine cellar from starting.
- When you use the wine cellar for the first time or restart the wine cellar after having been shut off for a long time, there will be a few degrees variance between the temperature you select and the one indicated on the LED readout for the first few hours of operation. After a few hours of operation, the temperature will normalize to the displayed temperature.

DOOR LOCK

- This unit comes with key lock.
- The keys are located inside the plastic bag that contains the user manual. To unlock the door, insert the key into the lock and turn counter clockwise.
- To lock the door, simply reverse the operation making sure the metal pin is engaged completely. Then remove the key and place it in a secure place for safekeeping.

LAYOUT AND STORAGE

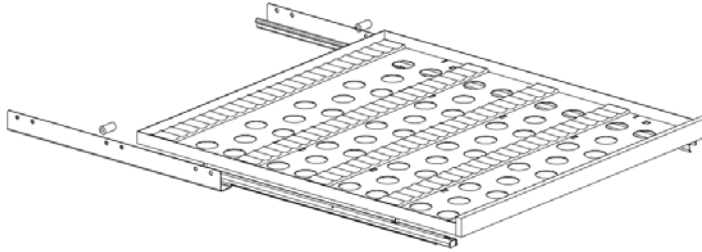
Your cabinet was designed to store a maximum number of bottles securely. We recommend that you observe the tips below to optimize loading.

- Remove tape from shelves once unit is stable and ready for storage.
- Disperse the bottles evenly to avoid concentrating weight in one place. Bottles must not touch either the back of the cabinet or the step at the bottom. While your wine cellar was designed to hold large format bottles such as Pinot Noir and Champagne, these larger bottles reduce the number of bottles you can fit on 1 shelf. Make sure that the bottles are not all grouped together either at the top or bottom of the cabinet. Bottles dispersed evenly throughout the cabinet will contribute to optimal cooling.
- Only pull out one rolling shelf at a time. Never attempt to pull more than one.
- Maximum weight capacity per shelf is 55 lbs.
- Each rolling shelf is designed to comfortably hold one row of 11-13 bottles.

REMOVING THE ROLLING SHELF

To remove a rolling shelf:

1. Remove all bottles.
2. Pull out the shelf to align the shelf grooves to the stoppers fixed on the inside cabinet.
3. Push upward the shelf from the telescopic rails and remove it carefully.



CARE AND MAINTENANCE

Cleaning Your Wine Cellar

- Turn off the power, unplug the appliance, and remove all items including all shelves.
- Wash the inside surfaces with a solution of warm water and baking soda (approximately 2 tablespoons of baking soda for each quart of water.)
- Wash the shelves with a mild detergent solution.
- Wring excess water out of the sponge or cloth when cleaning area of the controls, or any electrical parts.
- Wash the exterior with warm water and mild liquid detergent. Rinse well and wipe dry with a clean soft cloth.
- Vacuum the front grill and back of the unit twice yearly. Make sure the power is off before cleaning.
- It is recommended to clean the unit completely inside and out once a year to maximize the longevity of the wine cellar.

Power Loss

- Power failures that are corrected within a few hours should not affect the temperature of your appliance if you minimize the number of times the door is opened. If the power is going to be off for a longer period of time, you need to take other measures to protect your contents.
- If the unit is unplugged, loses power, or is turned off, you must **wait 3 to 5 minutes before restarting**. Attempting to restart the wine cellar before this time has elapsed may prevent the wine cellar from starting.

Absence/Vacation

- **Short vacations:** You may leave the wine cellar powered on and unattended for absences of less than three (3) weeks.
- **Long vacations:** If the appliance will not be used for more than three weeks, remove all items and turn off the appliance. Clean and dry the interior thoroughly. To prevent mold growth, leave the door open slightly, blocking it open if necessary.

Moving Your Wine Cellar

- Remove all items.
- Securely tape down all loose items (shelves) inside your appliance.
- Turn the adjustable leg up to the base to avoid damage.
- Tape the door shut.
- Be sure the appliance stays secure in the upright position during transportation. Also protect the outside of the appliance with a blanket or similar item.

Energy saving Tip

- The wine cellar should be located in the coolest area of the room, away from heat producing appliances, and away from direct sunlight.

TROUBLESHOOTING GUIDE

Many common issues with your wine cellar can be solved very easily. Try the troubleshooting tips below should you experience any problems.

PROBLEM	POSSIBLE CAUSE
Wine cellar does not operate.	Not plugged in. The appliance is turned off. The circuit breaker tripped or a fuse has blown out.
Wine cellar is not cold enough.	Check the temperature control setting. External environment may require a higher setting. (e.g. room needs to be air conditioned) The door is opened too often. The door is not closed completely. The door gasket is not sealing properly.
Wine cellar is turning on and off frequently.	The room temperature is hotter than normal. The door is opened too often. The door is not closed completely. The temperature control is not set correctly. The door gasket does not seal properly.
The light does not work.	Not plugged in. The circuit breaker tripped or a fuse has blown. The light bulb has burned out. The light button is "OFF".
Vibrations.	Check to assure that the wine cellar is on a level surface.
The wine cellar seems to make too much noise.	A faint humming noise may come from the flow of the refrigerant, which is normal. As each cycle ends, you may hear gurgling sounds caused by the flow of refrigerant in your wine cellar. Contraction and expansion of the inside walls may cause popping and crackling noises. The wine cellar is not on a level surface.
The door will not close properly.	The wine cellar is not on a level surface. The door was reversed and not properly installed. The gasket is dirty. The shelves are out of position.
The area around the door, top, or side is hot.	Your wine cellar comes with a heating element near the door that keeps frost and condensation off the glass and it's normal for this area to feel warm. It will not affect the temperature inside the wine cellar.

TECHNICAL DATA

237 67	166 Bottle N'FINITY Pro Wine Cellar
Accommodation (bottles)	166
Type of cooling	compressor & air-circulated fan cooling
Nominal voltage/Frequency	115V/60HZ
Rated power(W)	268W
Ambient temperature	60-80 degrees Fahrenheit
Temperature range	50-66 F
Range of inside cabinet humidity	60%RH
Item weight	245 pounds
Item dimension	23 ³ / ₄ "W X 29 ¹ / ₄ "D X 69 ³ / ₄ "H Door handle will add 2" to depth

WARRANTY INFORMATION

LIMITED WARRANTY

Length of Warranty: This Limited Warranty lasts for one (1) year from date of receipt of purchase of the wine cellar ("Limited Warranty Period") and the sealed system (compressor, condenser, evaporator) will be covered for three (3) years. Extended warranties may be available for an additional cost at the time of purchase or up to the seventh month from date of purchase. These extended warranties would extend this one (1) year limited warranty to two (2), three (3), or five (5) years. Details about our extended protection plans can be found @ wineenthusiast.com.

Who is Protected: This Limited Warranty protects the original purchaser during the Limited Warranty Period, provided that such purchaser can present appropriate proof of original purchase.

What is Covered: This Limited Warranty covers any defects in workmanship or materials in your new wine cellar under normal use.

What is Not Covered: The following are not covered by this Limited Warranty damage due to such things as accident, misuse, abuse, mishandling, neglect, unauthorized repair, failure to properly maintain, acts of God or any other cause beyond the reasonable control of the Wine Enthusiast whether similar or dissimilar to the foregoing.

Purchaser understands and acknowledges that the wine cellar is a wine refrigerator, which houses wine. Purchaser assumes all the risk of using these units, including risk of spoilage, humidity variations, temperature variations, leaks, fires, water damage, mold, mildew, dryness and similar perils that may occur.

What We Will Do: During the Limited Warranty Period, Wine Enthusiast and/or the manufacturer will, at its sole discretion, repair or replace any wine cellar not operating within the manufacturer's specifications. All costs for labor and materials thereto shall be covered during the Limited Warranty Period. If Wine Enthusiast deems the wine cellar is not repairable, Wine Enthusiast will use the value of your original order toward a replacement; provided, however, that the purchaser will be responsible for all shipping and handling costs with respect to the replacement after the initial ninety (90) days after the date of receipt of original purchase. ***After the initial ninety (90) day period after the date of receipt of purchase, purchaser must pay any shipping and handling charges that are incurred in shipping or transporting the wine cellar for service under this Limited Warranty.*** Wine Enthusiast reserves the right to substitute materials of substantially similar quality in the event that identical materials are not available at the time the Limited Warranty services are performed. Wine Enthusiast reserves the right to request that purchaser contact a local refrigeration company to service the wine cellar.

How to get Warranty Service: In the event your wine cellar is not operating within the manufacturer's specifications, during the Warranty Period, contact customer service by email at custserv@WineEnthusiast.net or by phone 800.648.6058.

Limitation of Implied Warranties: All implied warranties, including warranties of merchantability and fitness for a particular purpose, are limited in duration to the length of this Limited Warranty.

Exclusion of Certain Damages: Wine Enthusiast's liability is limited to replacement or repair of the defective wine cellar. Wine Enthusiast shall not be liable for any damages, whether incidental, consequential or otherwise, because of any defective wine cellar.

How State Law Applies: Some states do not allow limitations on how long an implied warranty lasts and/or do not allow the exclusion of incidental or consequential damages, so the above limitations and exclusions may not apply to you.

The Limited Warranty gives you specific legal rights, and you may also have other rights which vary from state to state.