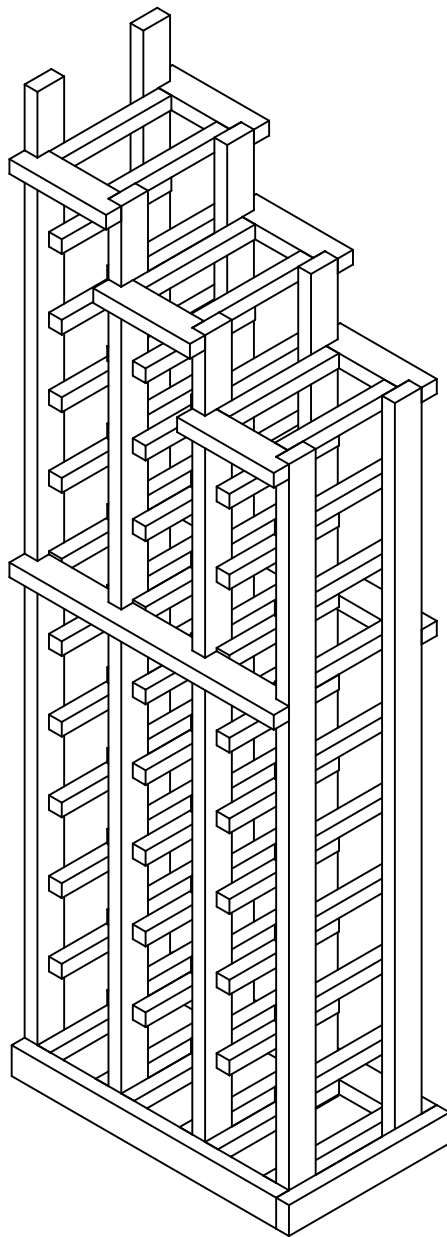


# Winemaker Series

WATER3 (R)

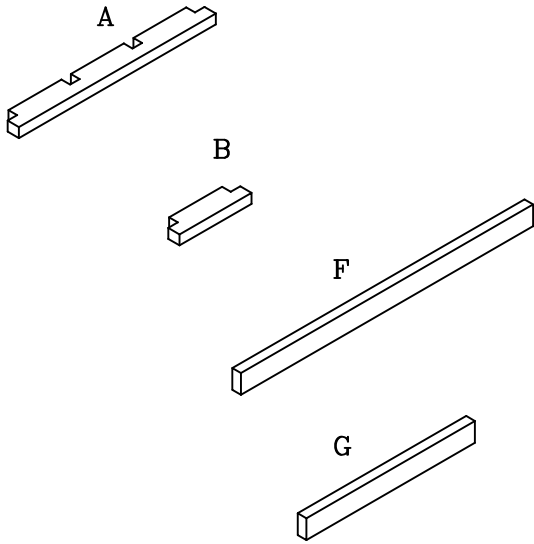


**Wine Cellar Innovations**  
4575 Eastern Avenue  
Cincinnati, Ohio 45226

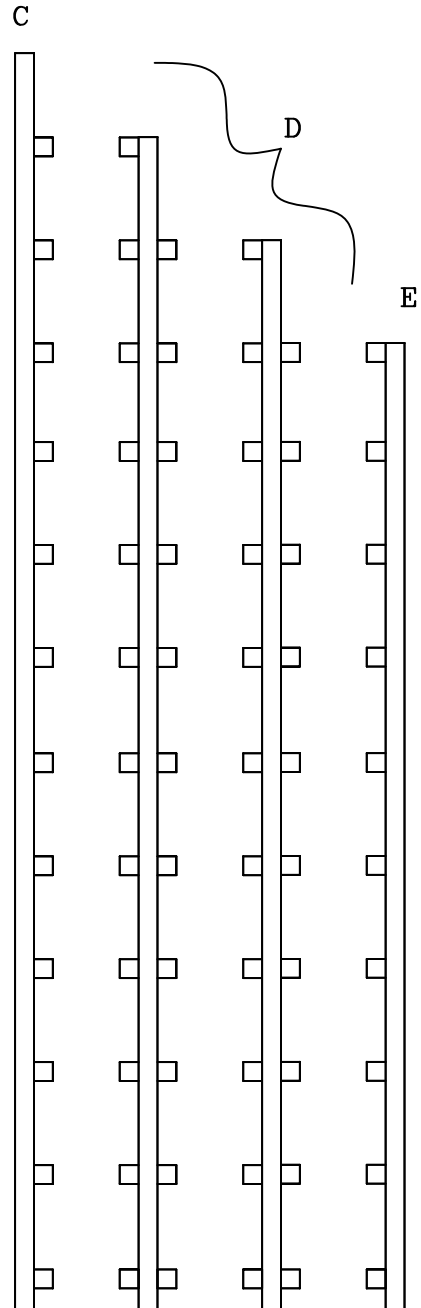
Phone: (800) 229-9813  
Fax: (513) 979-5280  
[www.winecellarinnovations.com](http://www.winecellarinnovations.com)

# WATER3 (L)

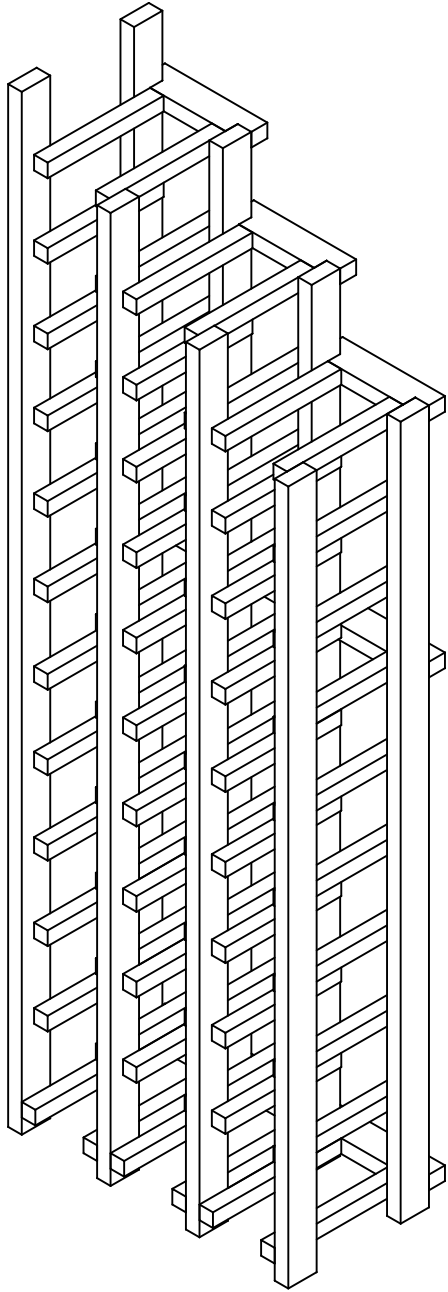
## Parts List



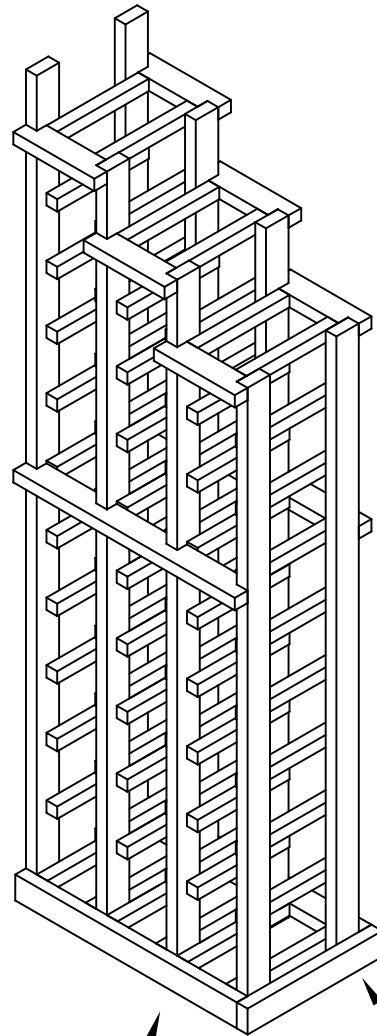
#	qty.	description
A	3	Spacer Bar#1
B	6	Spacer Bar#2
C	1	Right
D	2	Waterfall Commons
E	1	Left
F	1	Front trim
G	1	Side trim
*	1	Bag of nails
*	1	Hardware Pack containing 2 L brackets 2 plastic anchors 2 1" #8 screws 2 5/8" #6 screws



1. Attach (2) spacer bar#1 and (3) spacer bar#2's to the back of Right and Left and (2) waterfall common's with nails.  
Nail through each notch in spacer bars into post. This can be done with the provided nails or with a brad nailer.



2. Attach (1) spacer bar#1, (3) spacer bar#2 and front trim to racks. Attach side trim only if there are no adjoining racks or decorative moldings being attached.



Attach front trim

Attach side trim\*

\* Always remove all bottles before moving Racks.

Final Step. Secure rack to wall by attaching wall brackets to top of rack. Racks should be placed 1 1/2" off of the wall.

