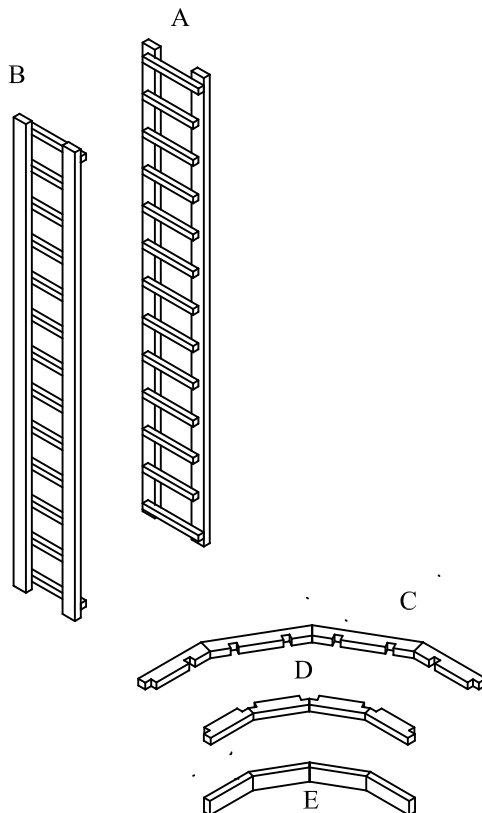
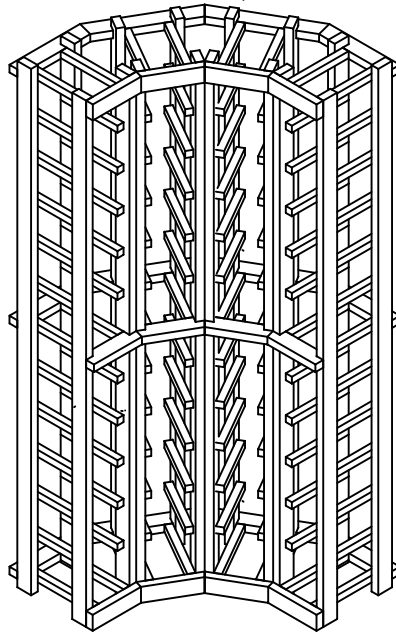


Winemaker Series

WMK3&4-CRV

* 4 ft. version shown throughout manual.



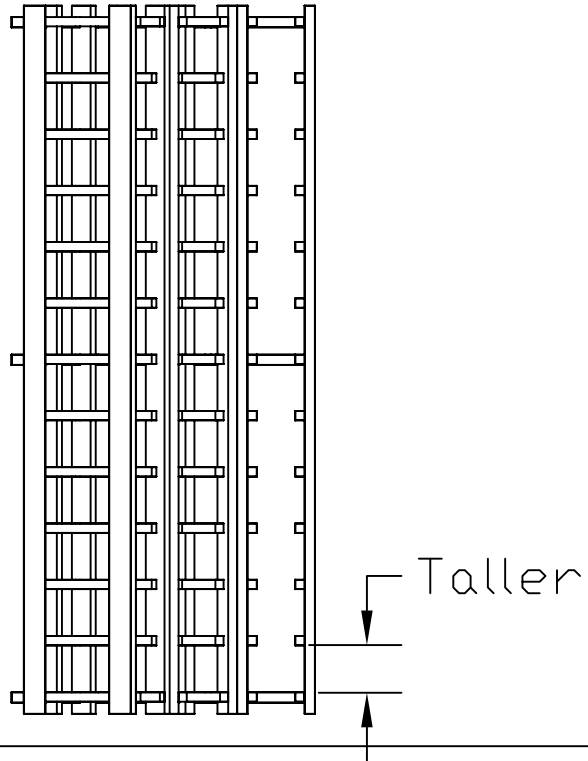
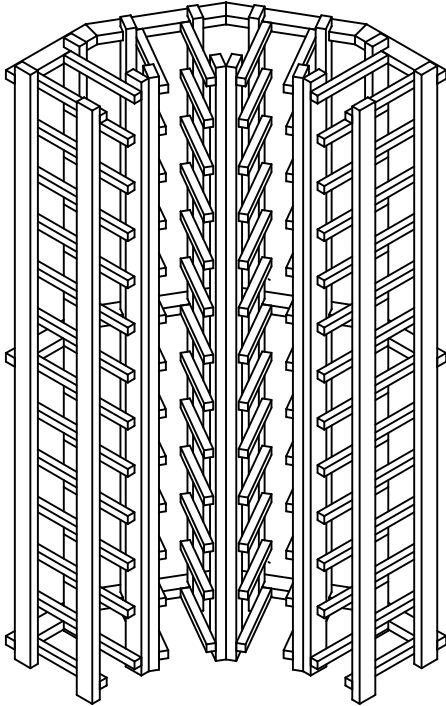
Parts List

#	qty.	description
A	4	Right Racks
B	4	Left Racks
C	3	Back Spacer Bars
D	1	Front Spacer bar
E	2	Top/ Bottom Trim
*	1	Bag of nails
*	1	Hardware Pack containing 2 Angle Bracket 2 plastic anchors 2 1" #8 screws 2 5/8" #6 screws

1. Attach (3) spacer bars to the back of the racks with nails.
This can be done with the provided nails or with a brad nailer.

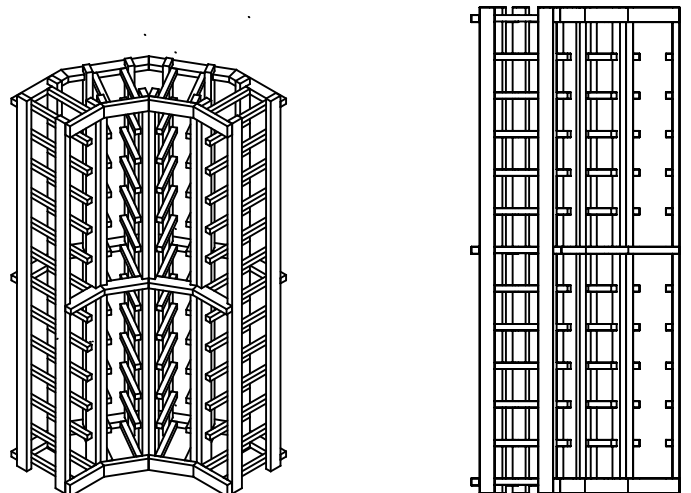
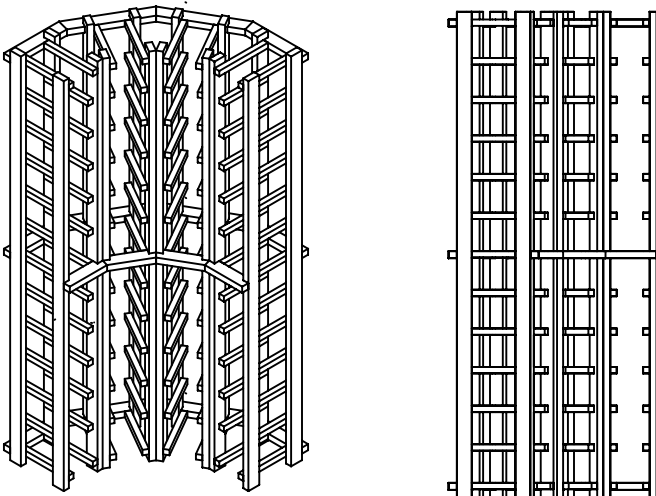
NOTE: For correct orientation, the bottom bottle space of rack is taller than the top bottle space.

NOTE: The middle spacerbars go on the 6th rail from the bottom for the 3ft. version and the 7th rail from the bottom for the 4ft. version.



2. Attach a spacer bar to the front of the racks.

3. Attach top trim to front of racks with nails provided. If unit is not going to be stacked on top of another kit then attach bottom trim as well. If unit is going to be stacked on top of another kit then follow the trim kit instructions before attaching the bottom trim board.



Final Step. Secure rack to wall by attaching wall brackets to top of rack. Racks should be placed 1 1/2" off of the wall.

