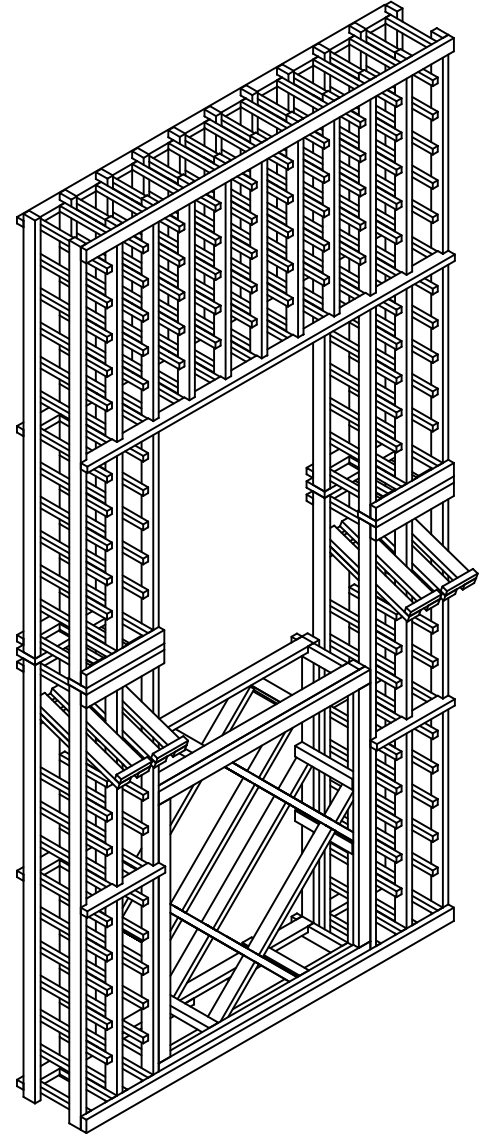
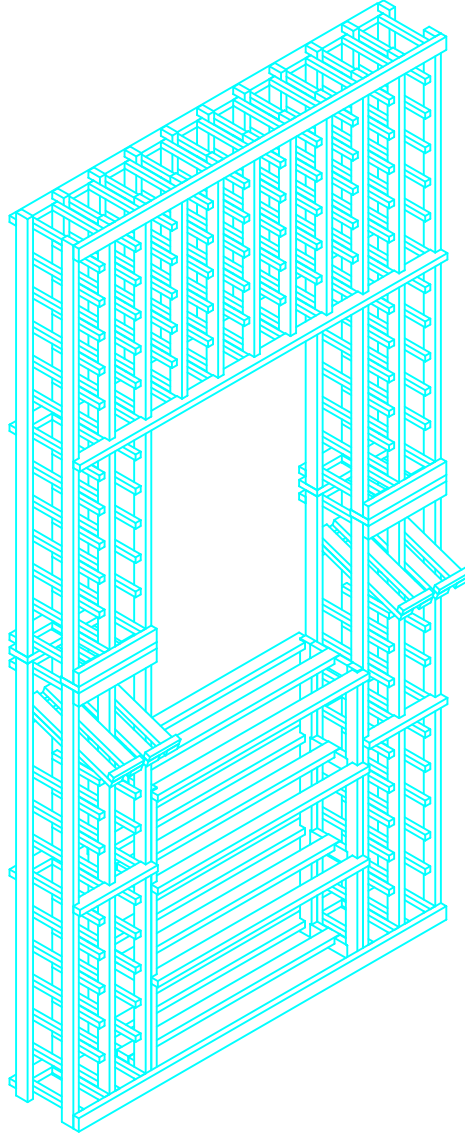
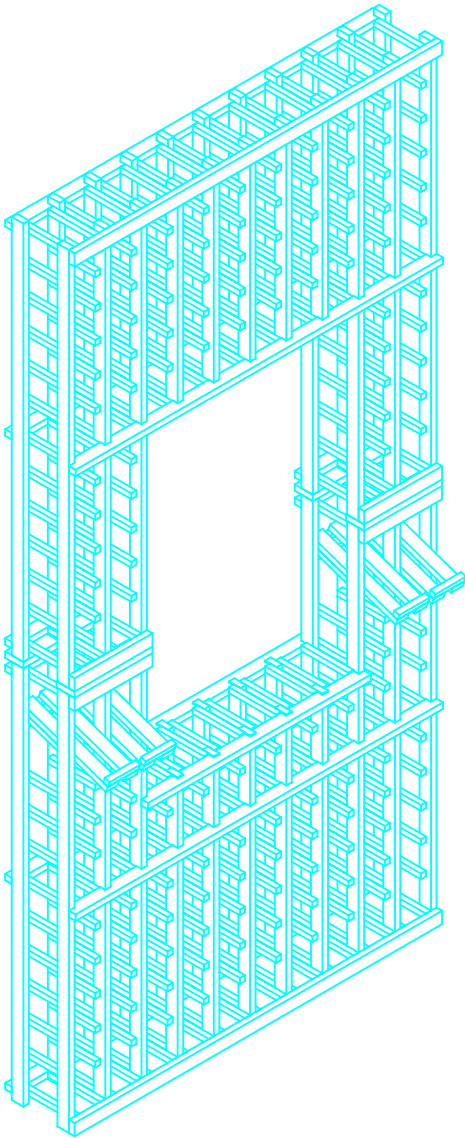


Winemaker Series

*Lower display version and upper 4 ft. version shown throughout manual.

WMK3&4-INDGT-ODB, INDGTDS-ODB



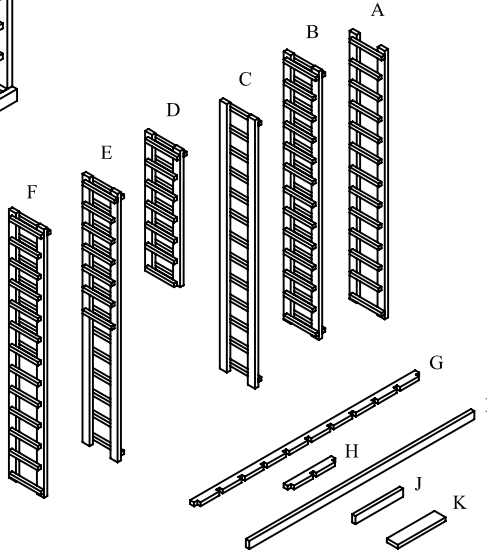
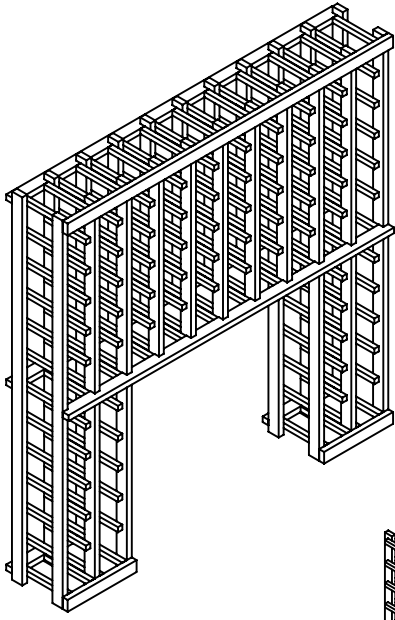
Wine Cellar Innovations
4575 Eastern Avenue
Cincinnati, Ohio 45226

Phone: (800) 229-9813
Fax: (513) 979-5280
www.winecellarinnovations.com

Winemaker Series

4ft. Version

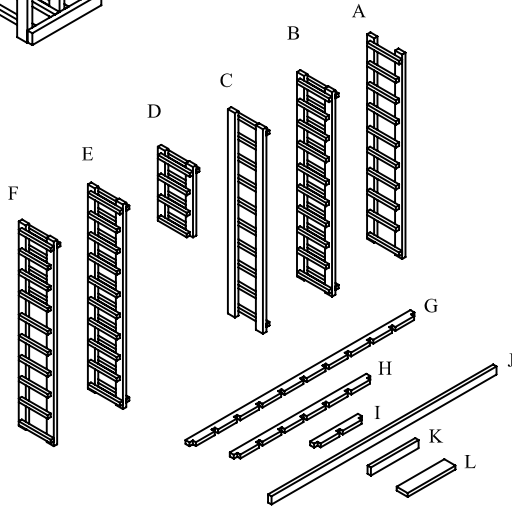
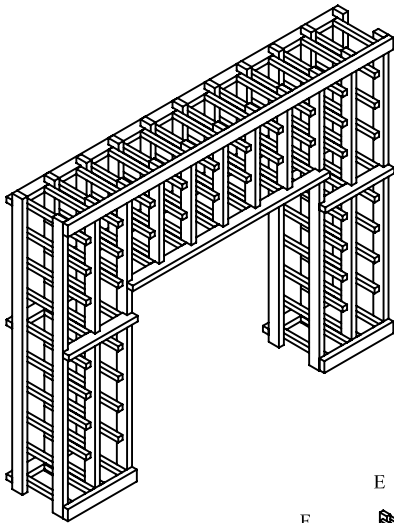
Individuals- upper



4ft. Parts List

#	qty.	description
A	1	Right Rack
B	2	Double #1 Racks
C	1	Left Rack
D	5	Double #2 racks
E	1	Common#1 Rack
F	1	Common#2 Rack
G	3	11 Notch spacer bars
H	2	3 Notch spacer bars
I	1	Top Trim
J	2	Bottom Trim
K	4	Stackable Beam Supports
*	1	Bag of nails
*	1	Hardware Pack containing 2 L Brackets 2 plastic anchors 2 1" #8 screws 2 5/8" #6 screws

3ft. Version

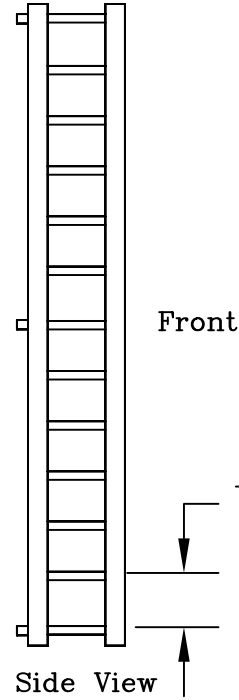
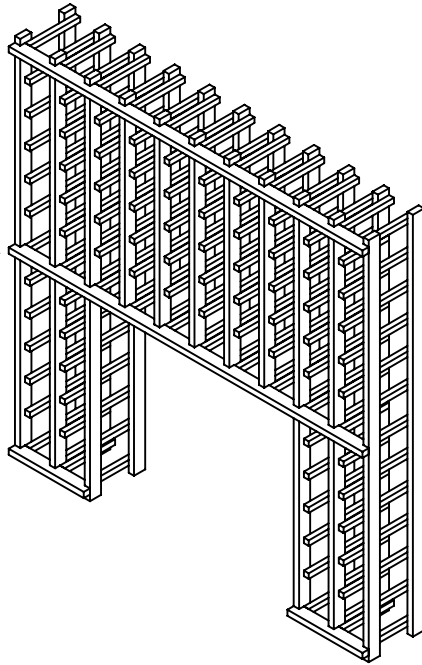


3ft. Parts List

#	qty.	description
A	1	Right Rack
B	2	Double #1 Racks
C	1	Left Rack
D	5	Double #2 racks
E	1	Common#1 Rack
F	1	Common#2 Rack
G	1	11 Notch spacer bars
H	2	7 Notch spacer bars
I	6	3 Notch spacer bars
J	1	Top Trim
K	2	Bottom Trim
L	4	Stackable Beam Supports
*	1	Bag of nails
*	1	Hardware Pack containing 2 L Brackets 2 plastic anchors 2 1" #8 screws 2 5/8" #6 screws

- Attach (4) spacer bars to the back of the racks with nails.
 Note, the middle spacerbar is placed on the 7th rail (4 ft. version) or 6th rail (3 ft. version) from the bottom.
 The top spacer bar should have a nail just on each end and the middle notch, the middle spacer bar gets nails in each notch, the 3 notch spacer bars should have a nail in each end notch. This can be done with the provided nails or with a brad nailer.

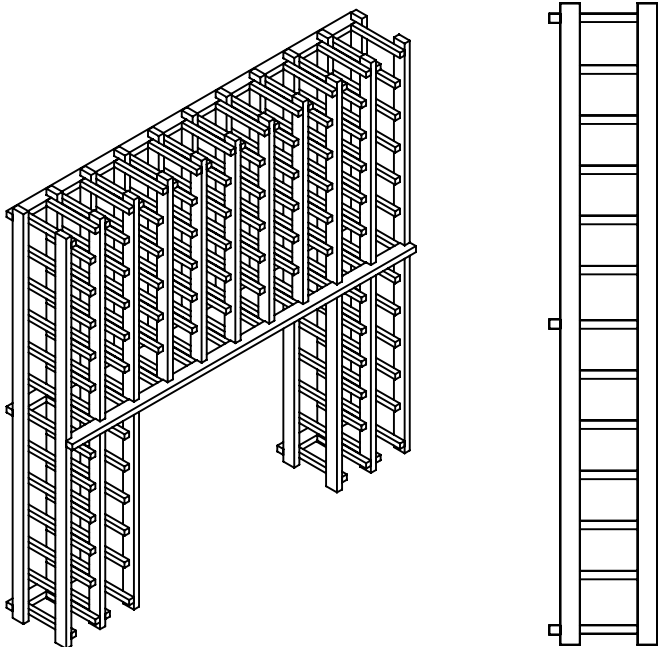
This spacer bar only should receive nails in every notch.



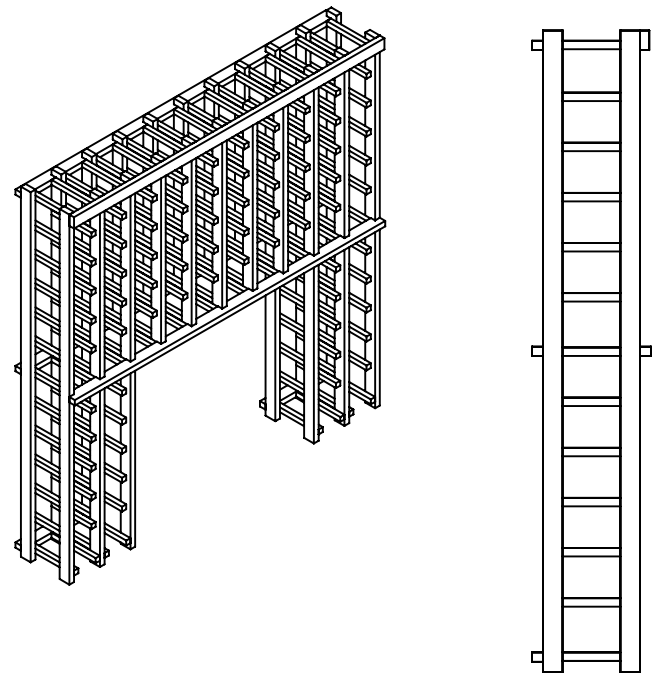
Taller

NOTE: For correct orientation the bottom bottle space of the rack is $\frac{3}{16}$ " (4 ft version) or $\frac{7}{16}$ " (3 ft version) taller than the top bottle space.

- Attach a spacer bar to the front of the racks by nailing on each end and the middle notches.

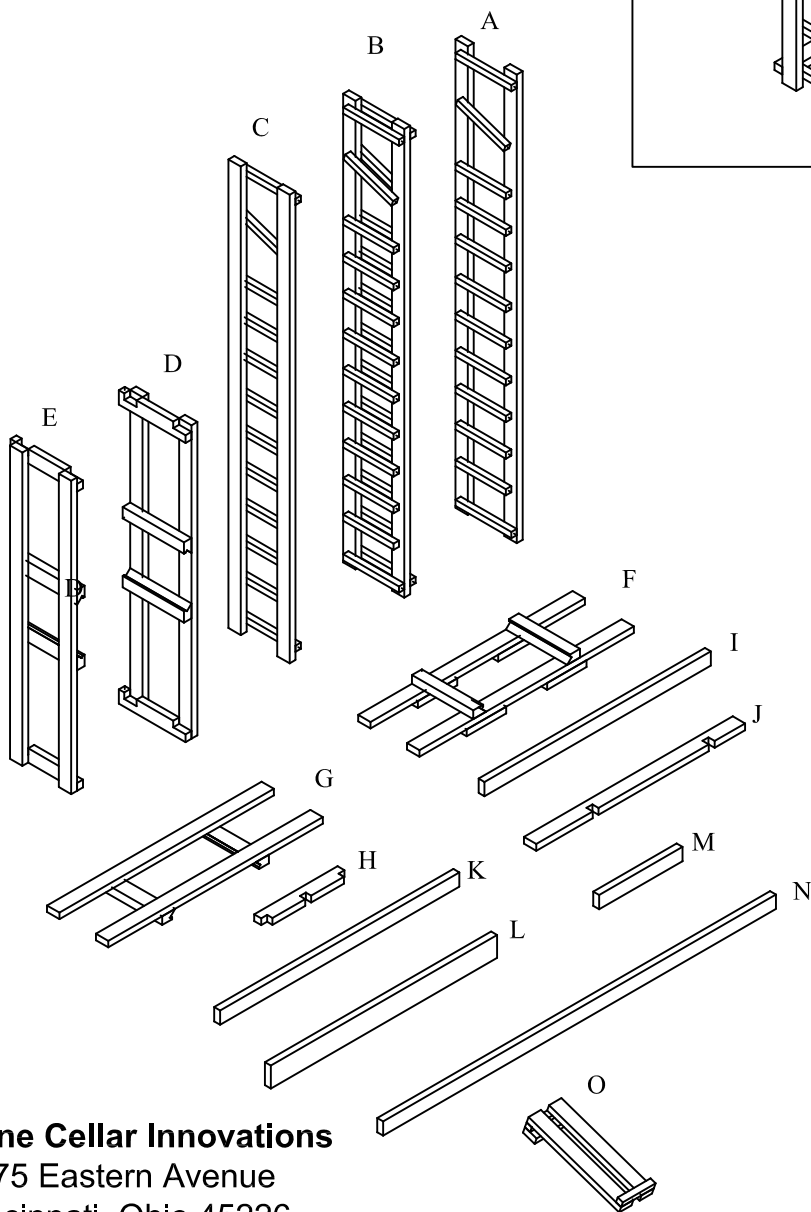
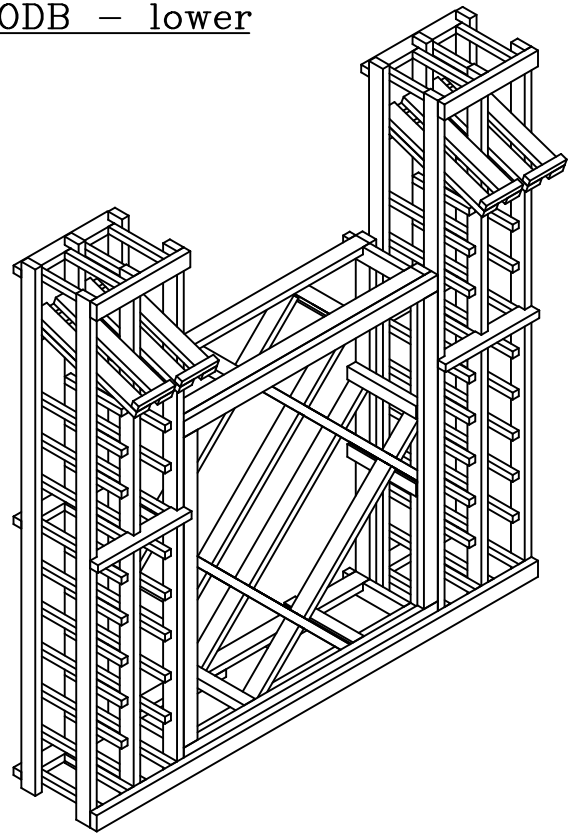


- Attach top trim to front of racks with nails provided.



Winemaker Series

WMK3&4-INDGT/DS-ODB - lower



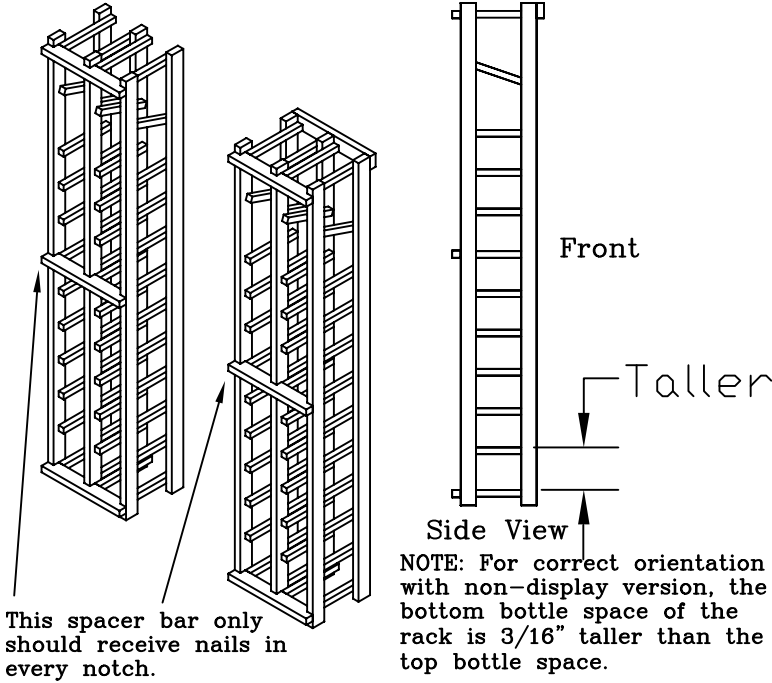
Parts List

#	qty.	description
A	2	Right Racks
B	2	Double #1 Racks
C	2	Left Racks
D	1	Right Diamond Bin Rack
E	1	Left Diamond Bin Rack
F	1	Diamond Bin Bottom
G	1	Diamond Bin Top
H	8	3-notch Spacerbars
I	2	Diamond Bin Side Trim
J	8	Diamond Bin Interlocks
K	1	Diamond Bin Top Trim
L	1	Diamond Bin Bottom Trim
M	2	Top Trim
N	1	Bottom Trim
O	4	Display Trays ** DS version only **
*	1	Bag of nails
*	1	Hardware Pack containing 2 L Bracket 2 plastic anchors 2 1" #8 screws 2 5/8" #6 screws

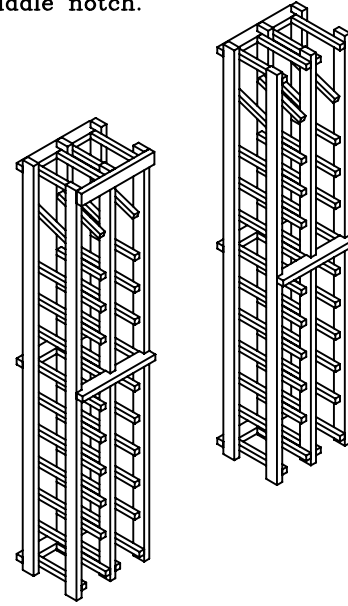
Wine Cellar Innovations
4575 Eastern Avenue
Cincinnati, Ohio 45226

Phone: (800) 229-9813
Fax: (513) 979-5280
www.winecellarinnovations.com

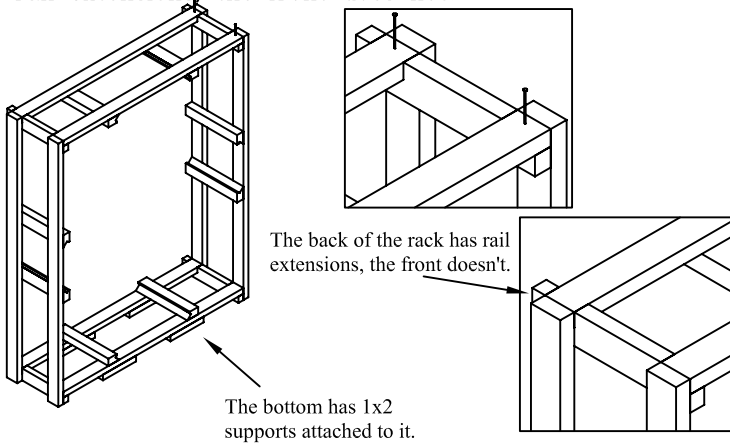
- Attach (3) spacerbars to the back of the two sets of racks with nails.
Note, the middle spacerbar is placed on the 7th rail from the bottom and receives a nail in each notch. The other spacerbars receive nails only in the end notches.



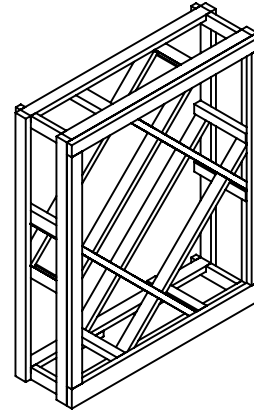
- Attach 2 spacer bars to the front of the racks by nailing on the ends as well as the middle notch.



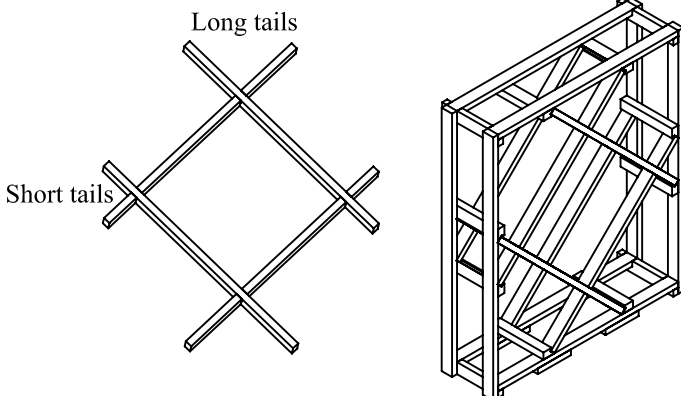
- Nail through the top into each notch of the sides. Repeat for the bottom. NOTE: The back of the rack has rail extensions, the front does not.



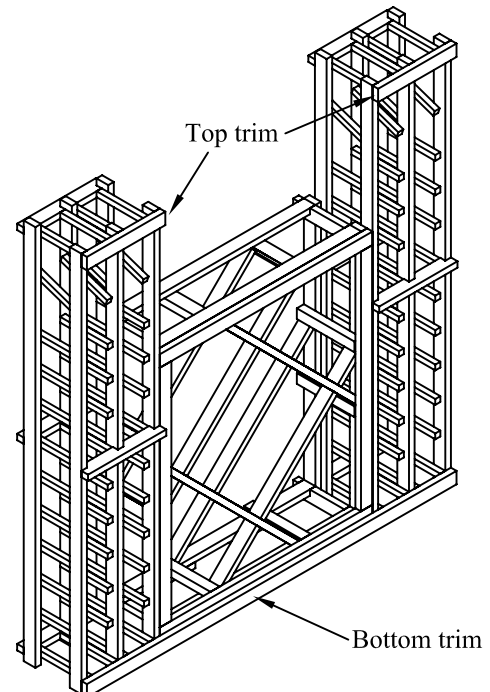
- Nail top, bottom and side trim to the front of the diamond bin.



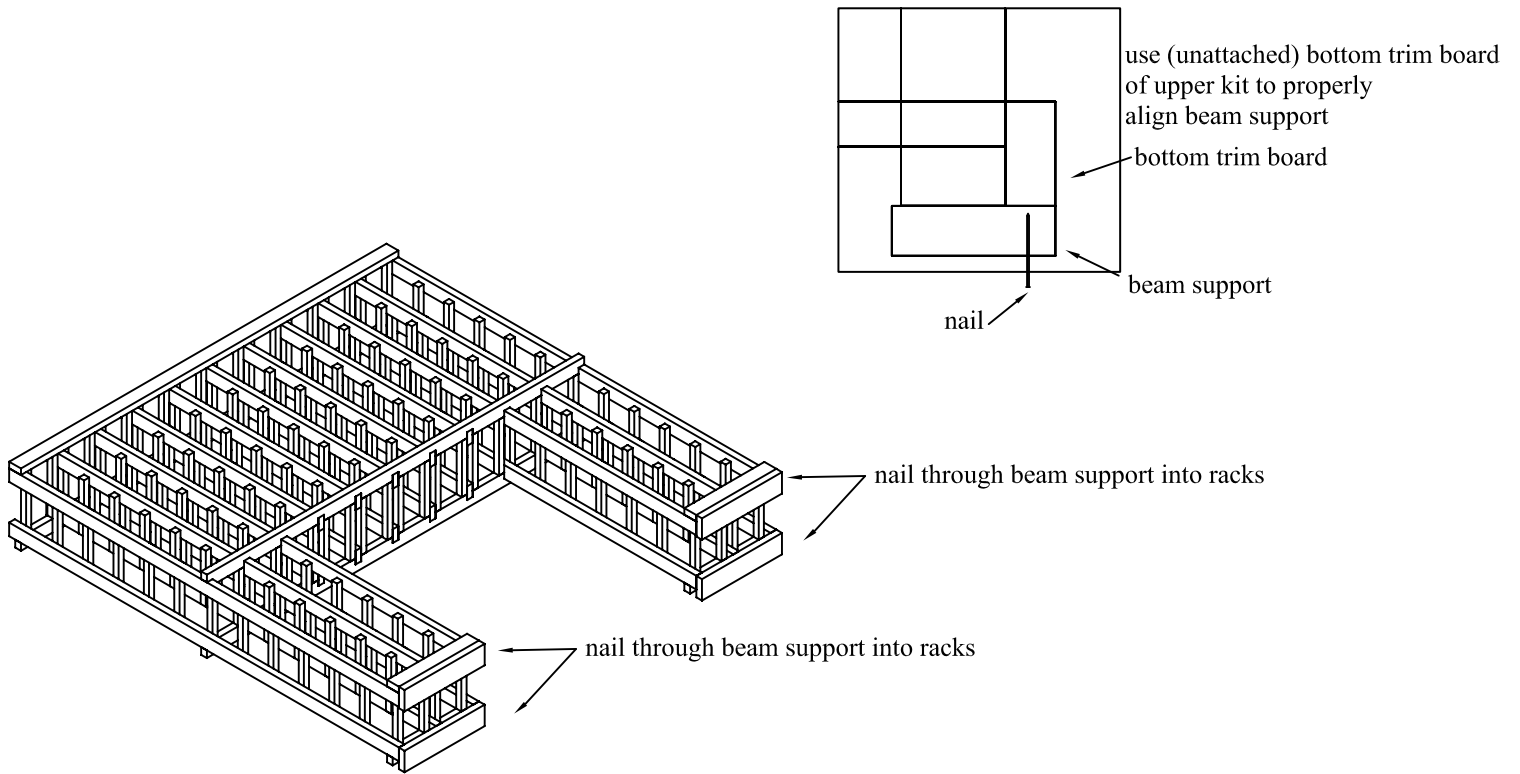
- Assemble a grid on the floor as shown being sure to nail through each intersection. Notice all short tails will face towards the sides, the long tails towards the top and bottom. Repeat for the other grid. Then insert the grids into the box.



- Place the diamond bin between the individual bottle racks. Attach the bottom and top trim to the racks with nails.

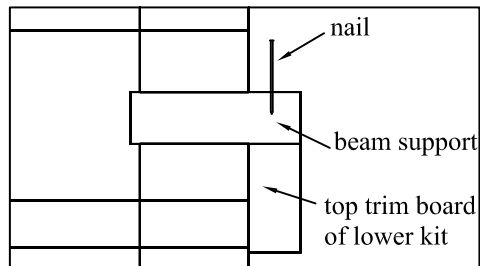
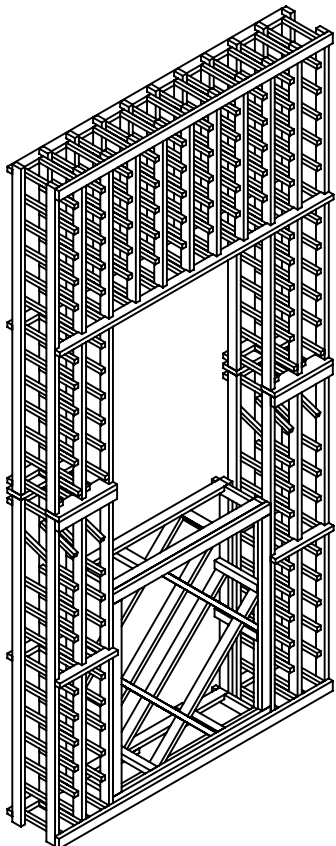


7. Attach stackable beam supports to bottom of upper kit.



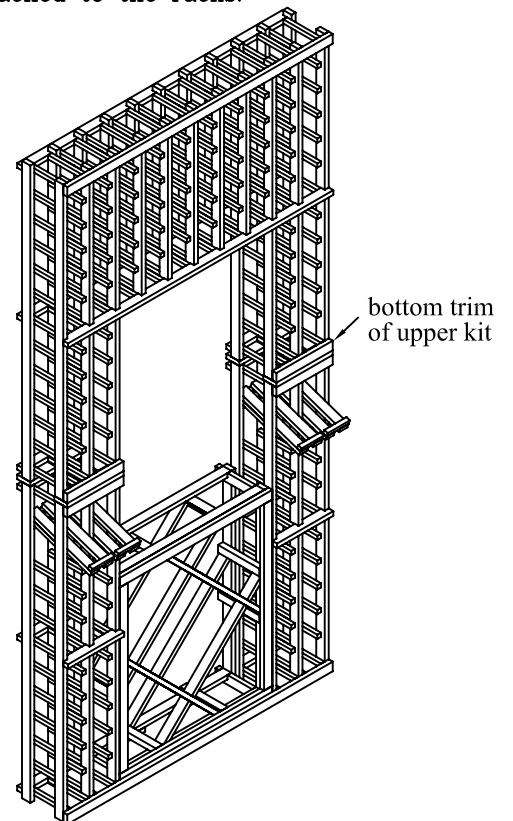
8. Place upper kit on top of lower kit.

Nail through front beam support into top trim of lower kit. Note: you do not need to nail through back beam support.



9. Attach bottom trim of upper kit to racks with nails provided.

DISPLAY VERSION Insert display tray from the front of the rack. The back of the tray will slide over the back of the angled bottle rails attached to the racks.



Final Step. Secure rack to wall by attaching wall brackets to top of rack. Racks should be placed 1 1/2" off of the wall.

