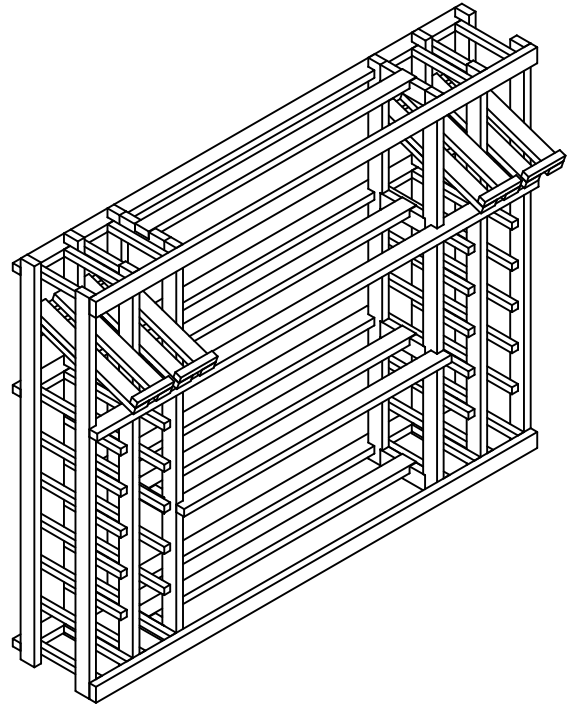
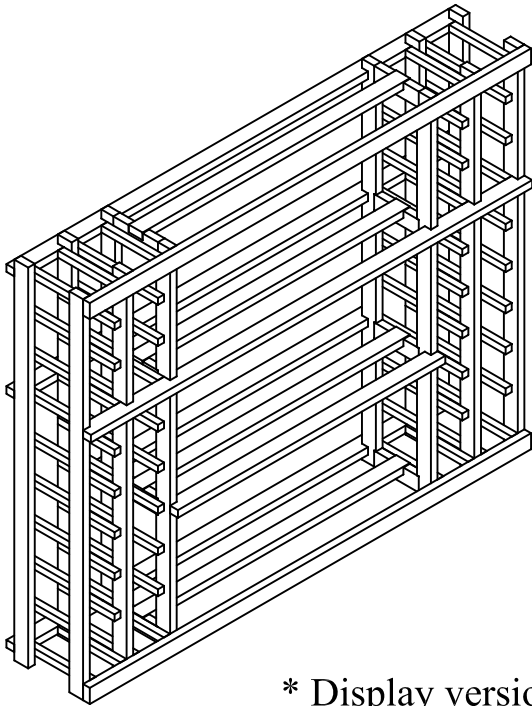


# Winemaker Series

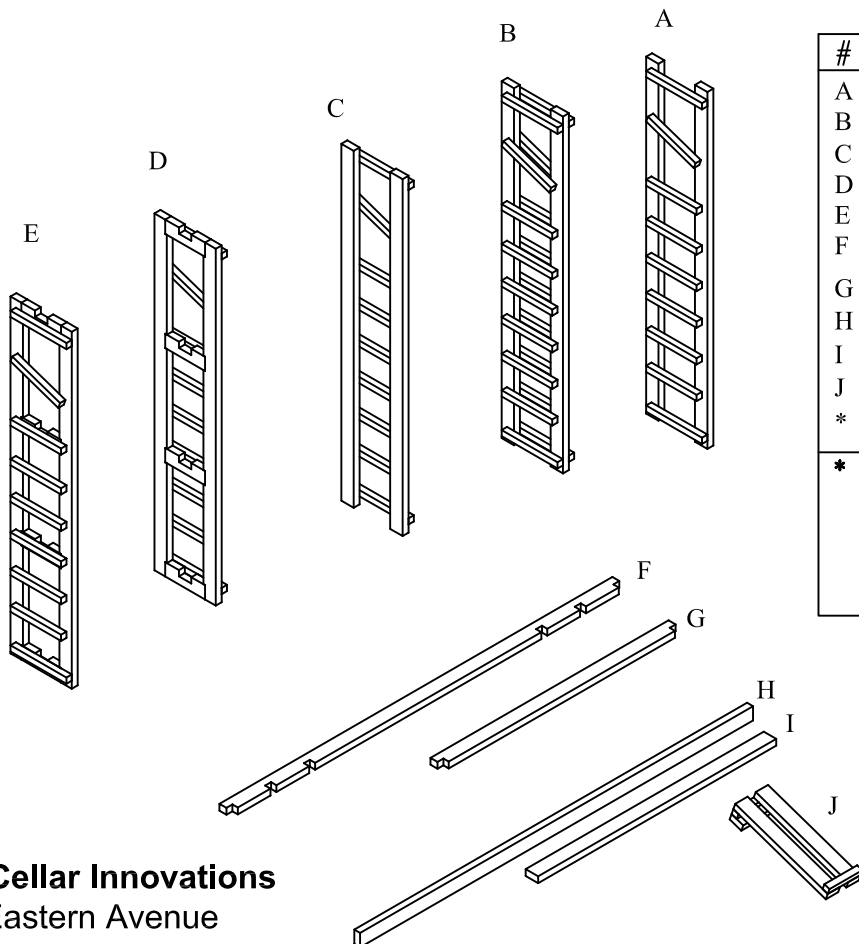
WMK3-CASE

WMK3-CASEDS



\* Display version shown throughout manual.

## Parts List



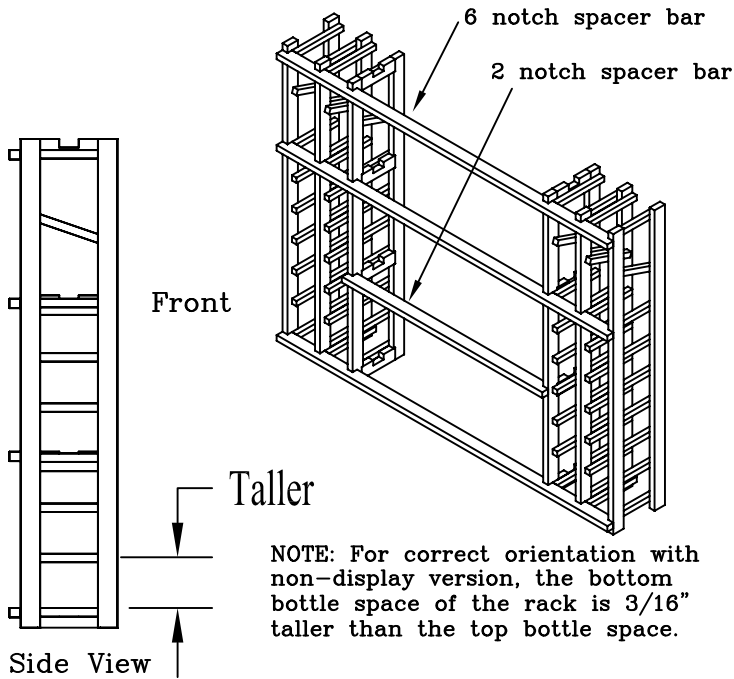
#	qty.	description
A	1	Right Rack
B	2	Double Racks
C	1	Left Rack
D	1	Common
E	1	Common
F	4	6 notch spacer bars
G	2	2 notch spacer bars
H	2	Top/Bottom Trim
I	4	Slats
J	4	Display trays ***CASEDS ONLY***
*	1	Bag of Nails
*	1	Hardware Pack containing 2 L Brackets 2 plastic anchors 2 1" #8 screws 2 5/8" #6 screws

**Wine Cellar Innovations**  
4575 Eastern Avenue  
Cincinnati, Ohio 45226

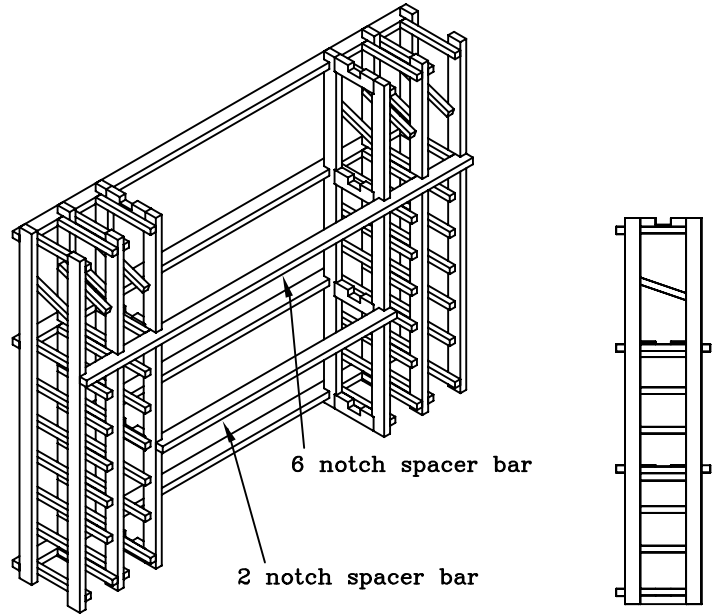
Phone: (800) 229-9813  
Fax: (513) 979-5280  
www.winecellarinnovations.com

1. Attach spacer bars to the back of the racks with nails. This can be done with the provided nails or with a brad nailer. Every notch should receive a nail.

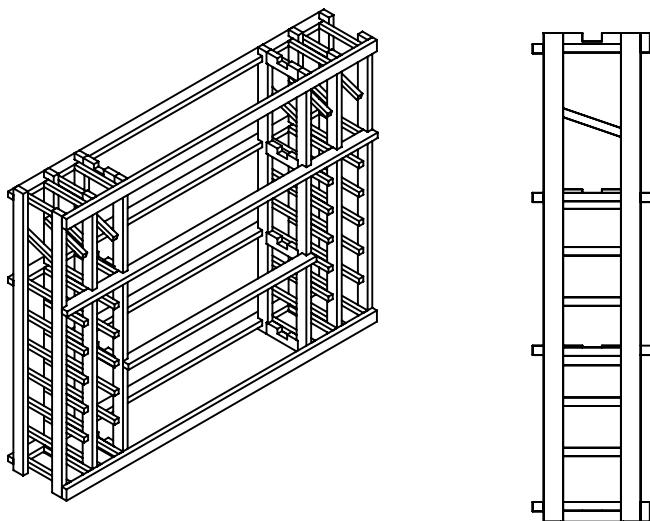
NOTE: For correct orientation if non-display, the bottom bottle space of the rack is  $\frac{3}{16}$ " taller than the top bottle space.



2. Attach 2 spacer bars to the front of the racks. Every notch should receive a nail.

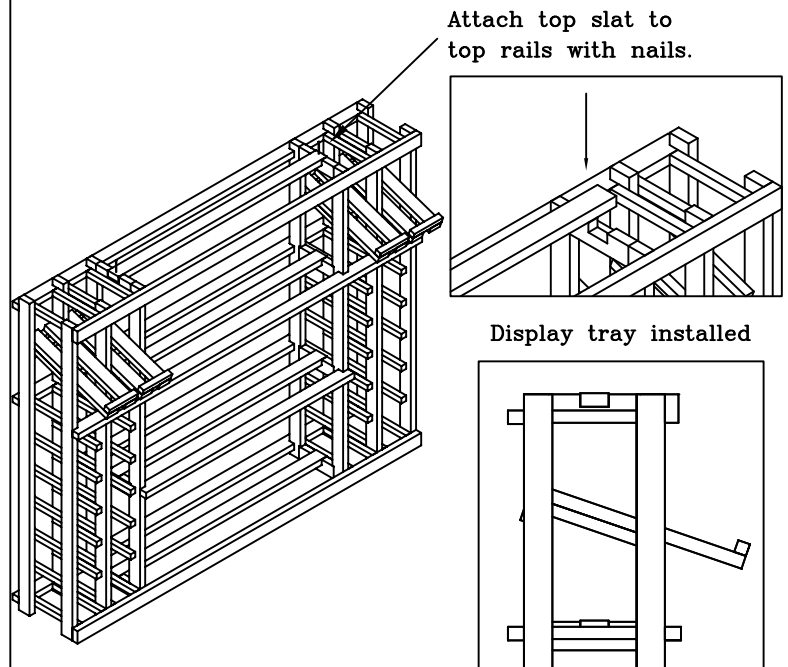


3. Attach top trim to front of racks with nails provided. If unit is not going to be stacked on top of another kit then attach bottom trim as well. If unit is going to be stacked on top of another kit then follow the trim kit instructions before attaching the bottom trim board.



4. Insert slats into notched rails on racks. If you are stacking case kit on top of another kit then wait until kit has been attached to insert slats.

**\*DISPLAY VERSION\*** Insert display tray from the front of the rack. The back of the tray will slide over the back of the angled bottle rails attached to the racks.



Final Step. Secure rack to wall by attaching wall brackets to top of rack. Racks should be placed 1 1/2" off of the wall.

