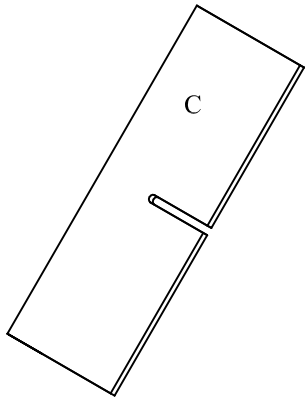
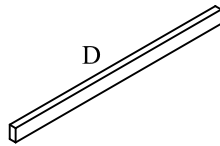
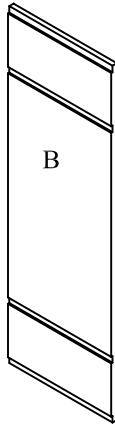
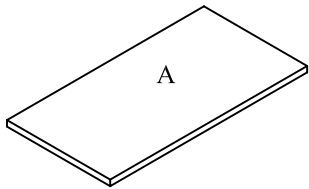
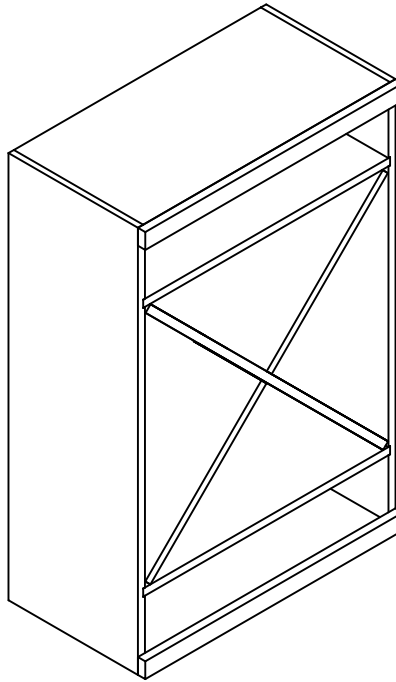


Winemaker Series

WMK3-SDC



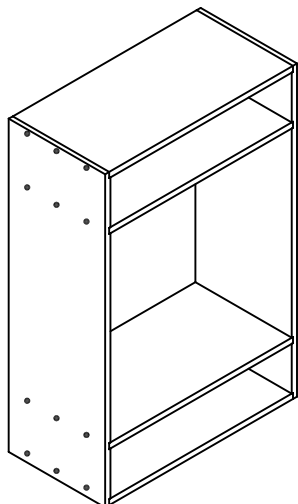
Parts List

#	qty.	description
A	4	Top/Bottom/Middle
B	2	Sides
C	2	Interlock Boards
D	2	Top/Bottom Trim
*	1	Screw driver bit
*	24	1 5/8" #6 Screws
*	1	Bag of nails
*	1	Hardware Pack containing 2 L Brackets 2 plastic anchors 2 1" #8 screws 2 5/8" #6 screws

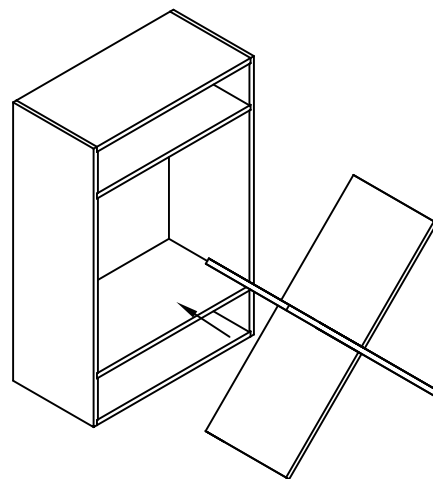
Wine Cellar Innovations
4575 Eastern Avenue
Cincinnati, Ohio 45226

Phone: (800) 229-9813
Fax: (513) 979-5280
www.winecellarinnovations.com

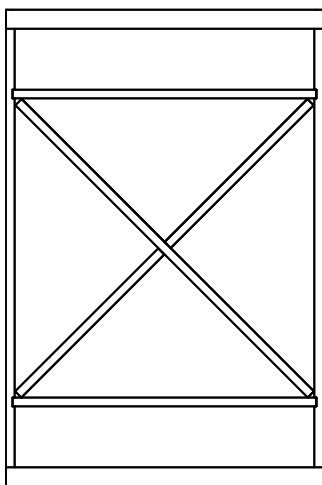
1. Attach top, bottom, middle and sides together with 1 5/8" #6 Screws.



2. Join together 2 interlocking boards to form x-interlocks and slide into opening.



3. Attach top trim with nails.
If kit is going to be stacked with another kit follow trim kit instructions before attaching bottom trim piece. If not then attach bottom trim piece with nails.



Final Step. Secure rack to wall by attaching wall brackets to top of rack. Racks should be placed 1 1/2" off of the wall.

