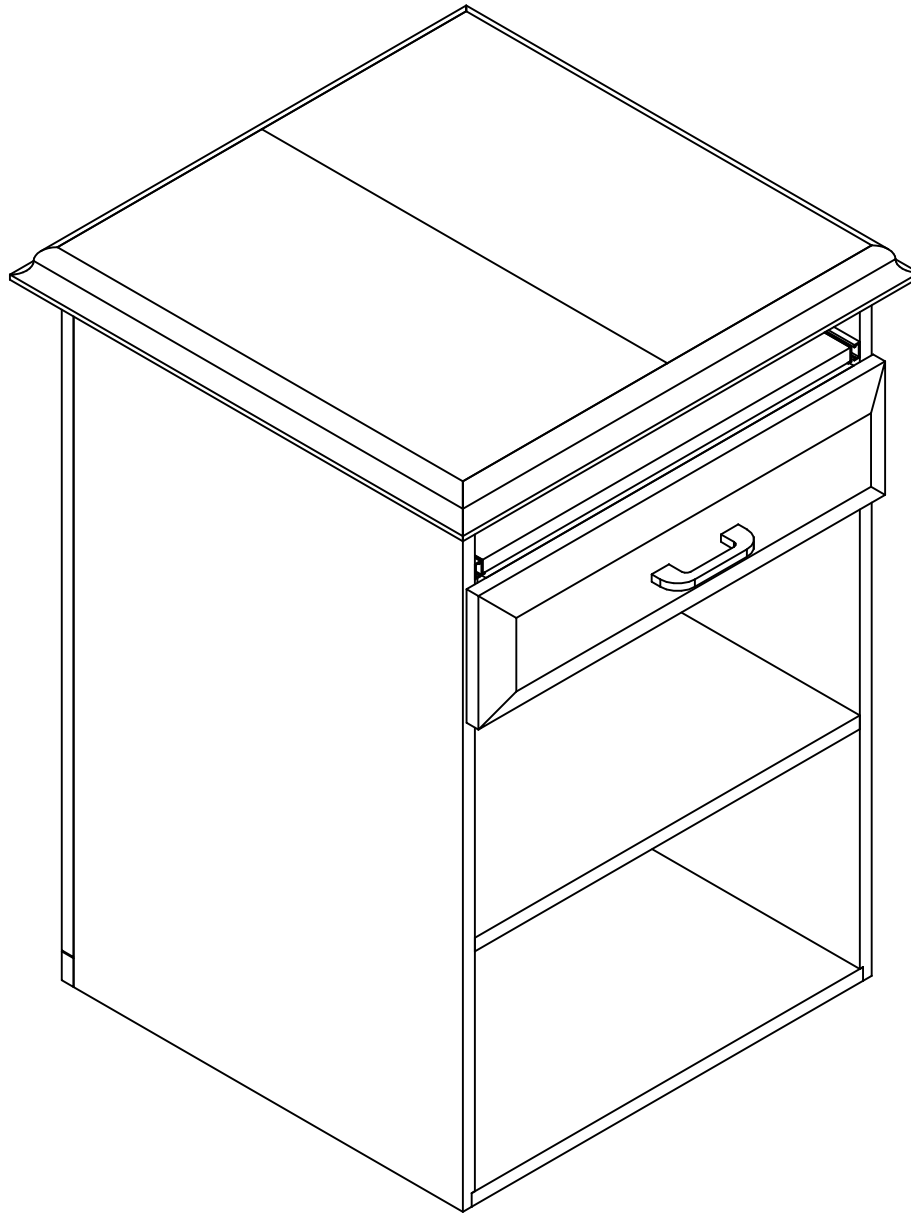


Cash Register Stand Center

Rev: 4/23/08

Cash Stand with Drawer



Thank you for your purchase from Wine Cellar Innovations. In the manufacturing and packaging of your products numerous people have reviewed your order for accuracy and attention to detail. We believe this focus is what has made us the worldwide leader in wine storage products.

When assembling the products, please refer to the instructions provided and follow them closely. Always pre pieces any time a screw will be used as a fastener. Redwood is a soft and beautiful wood species, but will split like all other wood types if placed under unusual stresses. The cellar has been engineered with the weight of the bottles factored into the layout, and will be capable of sustaining loads far greater than this when assembled correctly.

If you happen to break a piece during installation we will replace it for free. In such a situation, feel free to contact us Monday through Friday between am and 5pm Eastern time.

Wine Cellar Innovations
4575 Eastern Avenue
Cincinnati, Ohio 45226

Phone: (800) 229-9813
Fax: (513) 979-5280
www.winecellarinnovations.com

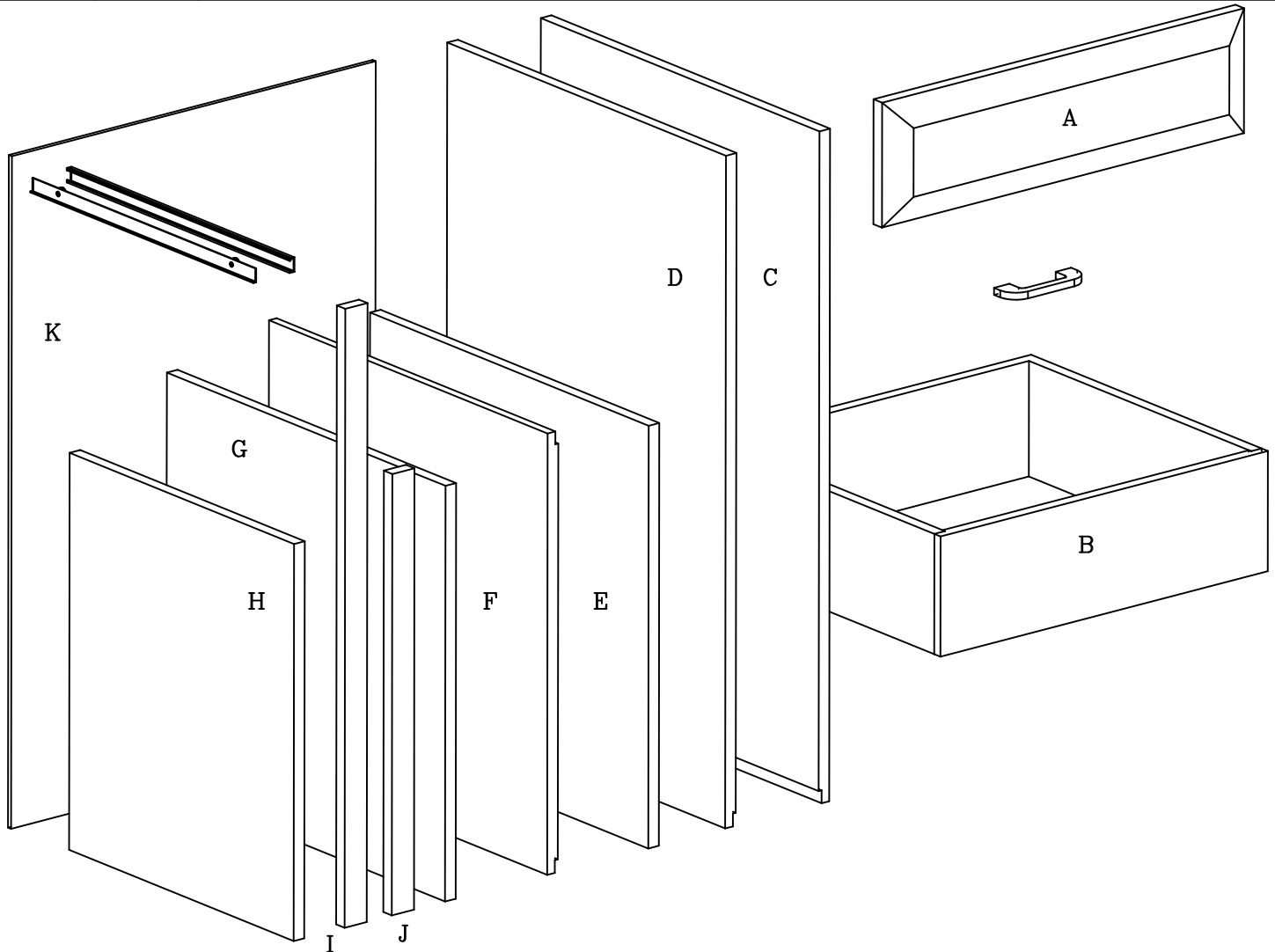
Cash Register Stand

Rev: 4/23/08

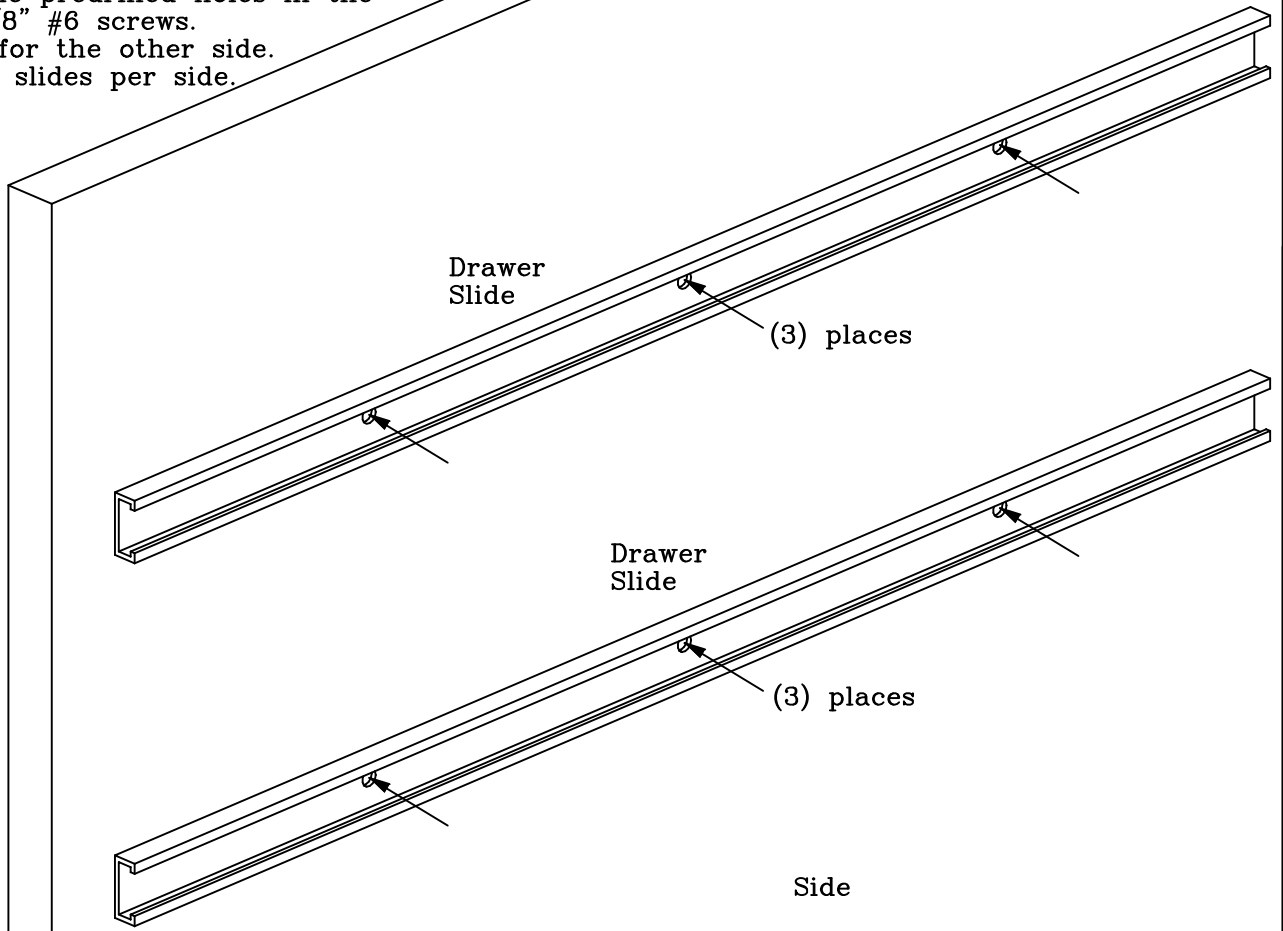
Cash Stand with Drawer

Item	Qty.	Description
A	1	Drawer Front
B	1	Drawer
C	1	Right Side
D	1	Left Side
E	1	Bottom
F	1	Top
G	1	Adjustable Shelf
H	1	Pull-Out Shelf
I	2	Trim
J	2	Trim
K	1	Back
	1	Drawer Pull
	4	Drawer Slides
	8	Adjustable Shelf Clips
	1	Cork Tile Kit
	1	Hardware

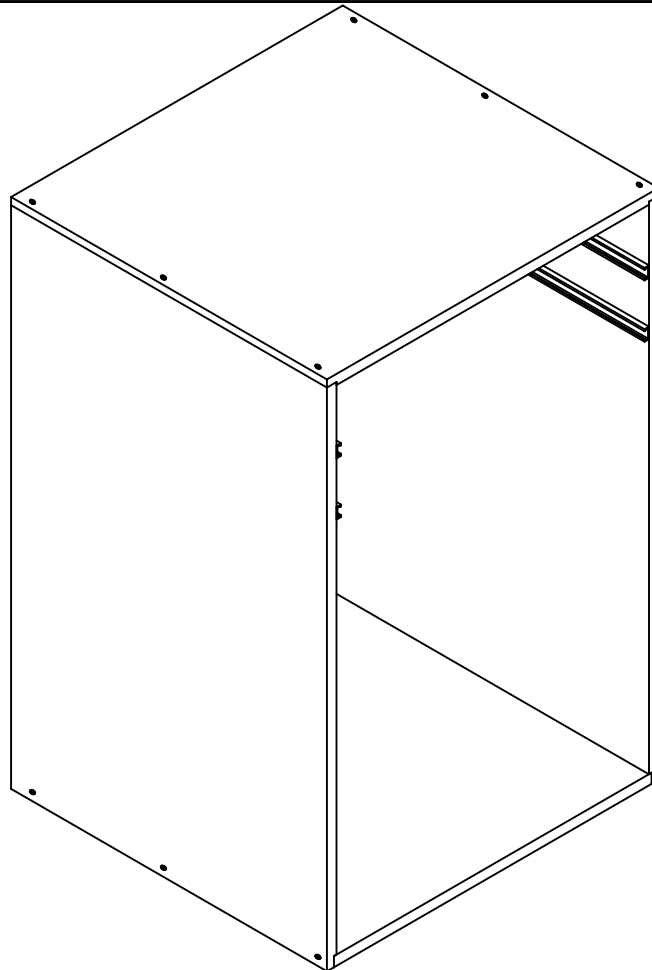
24- 5/8 #6 screws.
 12- 1 5/8 #6 screws.
 4- 1 1/4 #6 screws.
 1 Putty Stick
 1 Bag of Finishing Nails



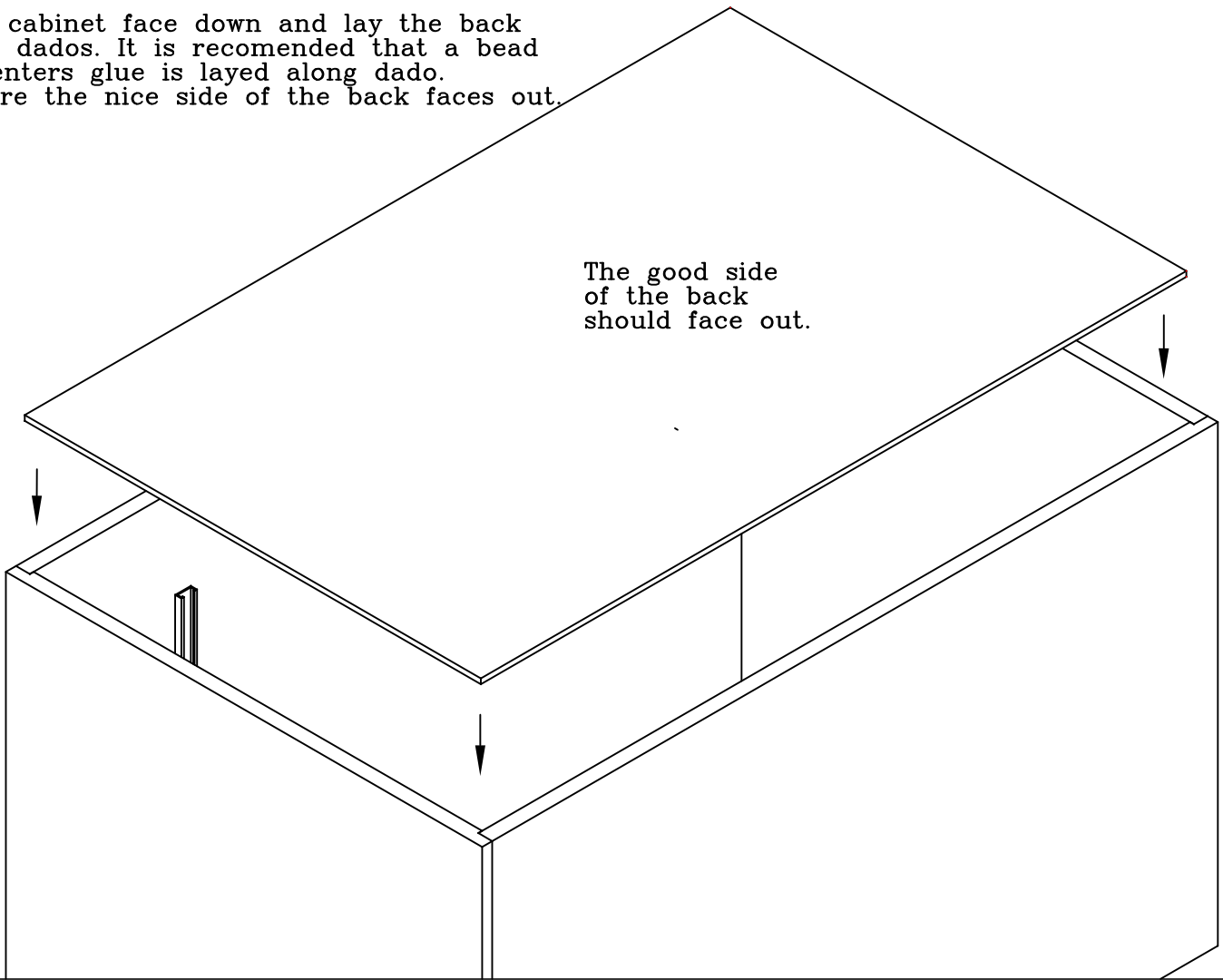
1.
Lay the sides on the floor with the exterior side down. Take the drawer slides and screw into the predrilled holes in the side using 5/8" #6 screws. Repeat this step for the other side. There will be two slides per side.



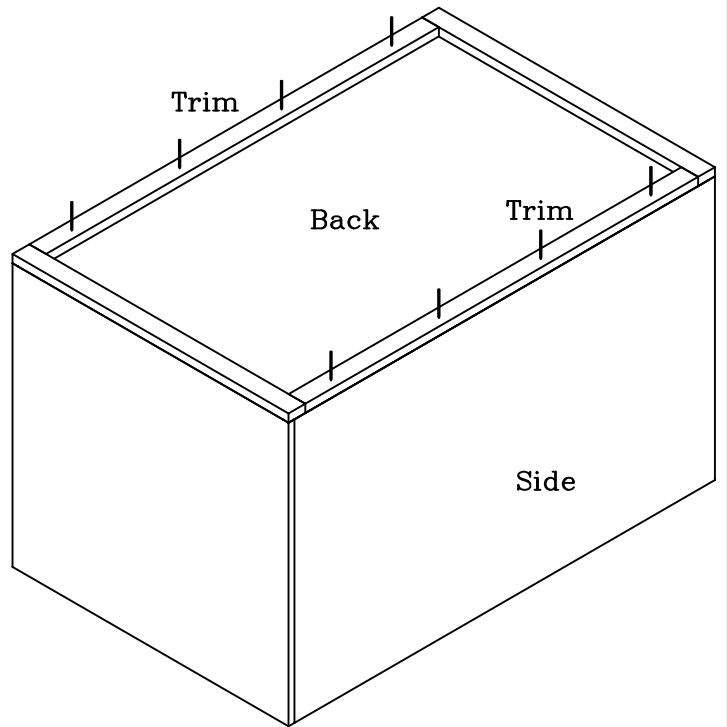
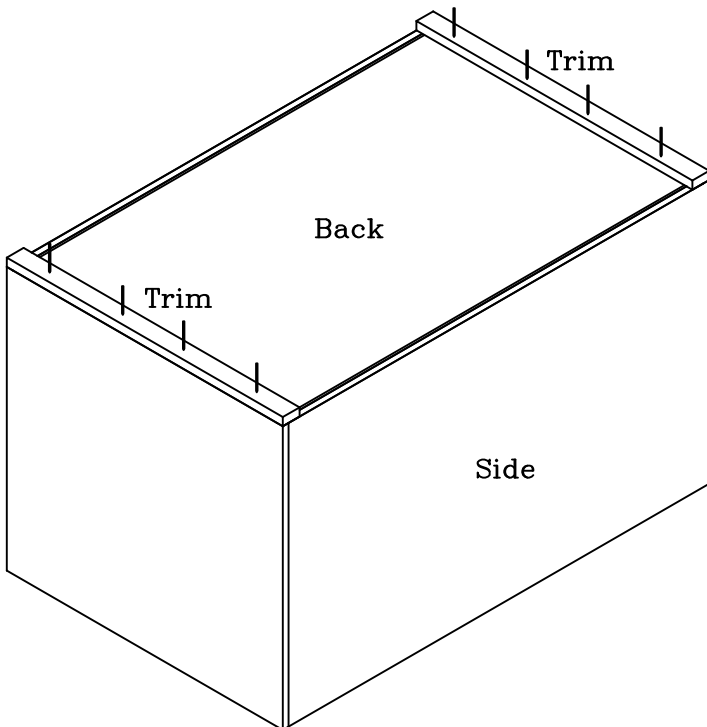
2.
Attach top and bottom to the sides with 1 5/8" #6 screws.
(Note: All holes should be pre-drilled using a 1/16" drill bit.)



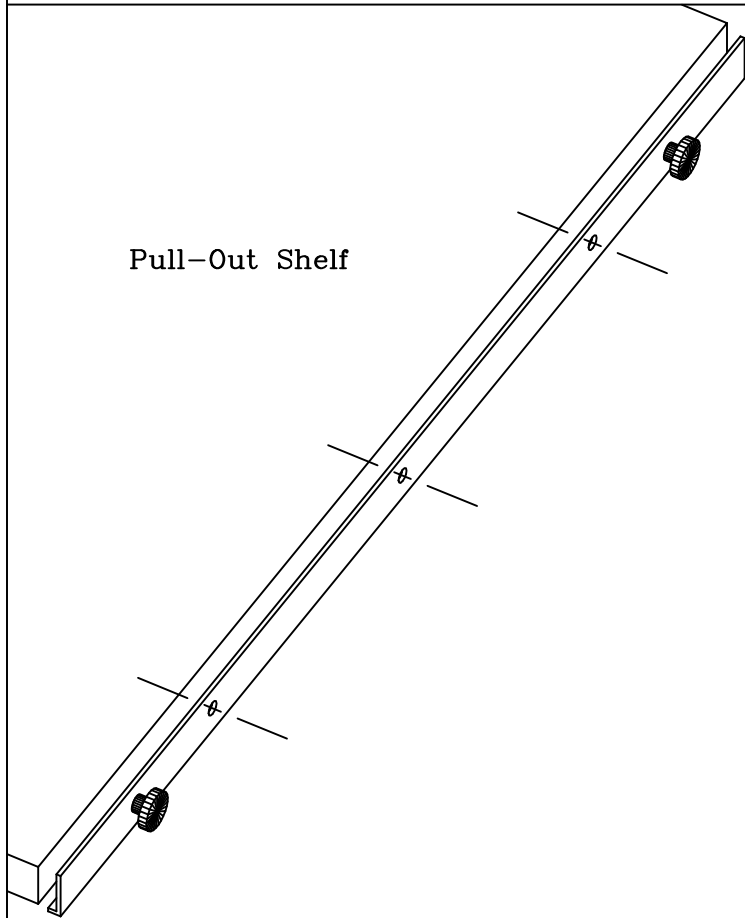
3.
Lay the cabinet face down and lay the back into the dados. It is recommended that a bead of carpenters glue is layed along dado. Make sure the nice side of the back faces out.



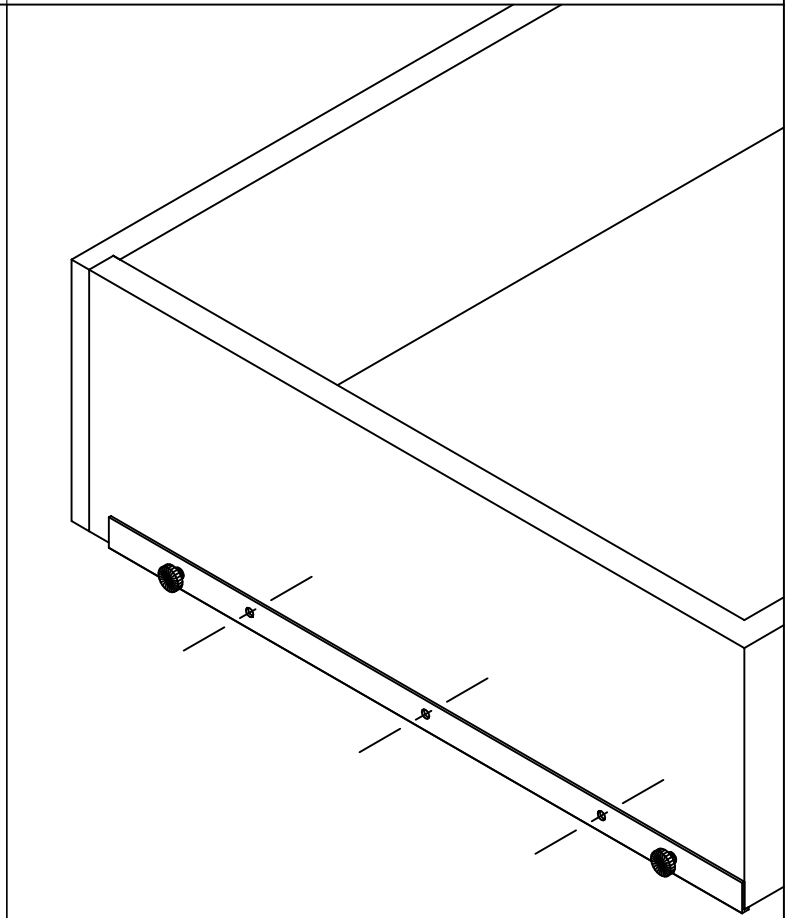
4.
The top and bottom trim need to be cut to size. A miter cut or a butt joint (shown below) may be used. Nail trim into the top and into the bottom shelves. Once the top and bottom trim are in place the side trim will need to be cut to size. Attach the side trim in the same manner used to attach the top and bottom trim.



5. Attach the drawer slide to the left and the right side of the pull out shelf with 5/8 #6 screws.



6. Attach the drawer slide to the left and the right side of the drawer with 5/8 #6 screws.



7. The cork top will be nailed and glued to the top of the cabinet. Prepare the surface by making sure it is free of loose debris and dust. Next, cut 2 pieces of cork to $23 \frac{3}{16}$ " long (measure the depth of the cabinet top to confirm) making sure to cut the tabs off of the short ends in the process (see figure A). Next, cut part of the tab off of a long side of 2 cork panels (see figure B). These cut edges will be on the ends of the table top. Apply wood glue (not supplied) to the top of the cabinet and spread in an even pattern. Lay the first panel down flush to all adjacent edges and nail through the tab into the top of the cabinet. Make sure the nail is completely seated. Continue for the other panel.

Figure A

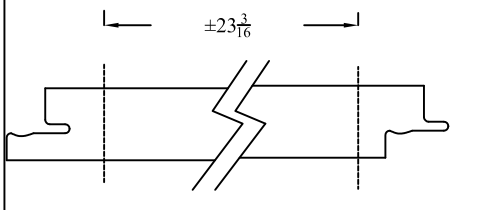
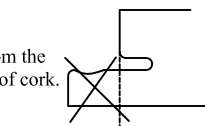
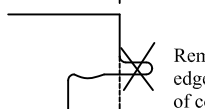


Figure B

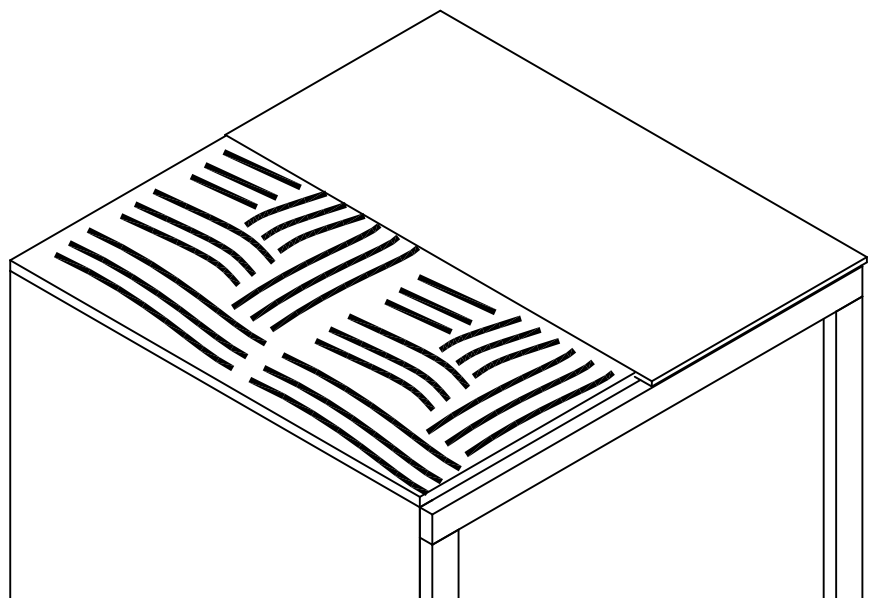
Remove this from the edge of 1 piece of cork.



Remove this from the edge of another piece of cork.

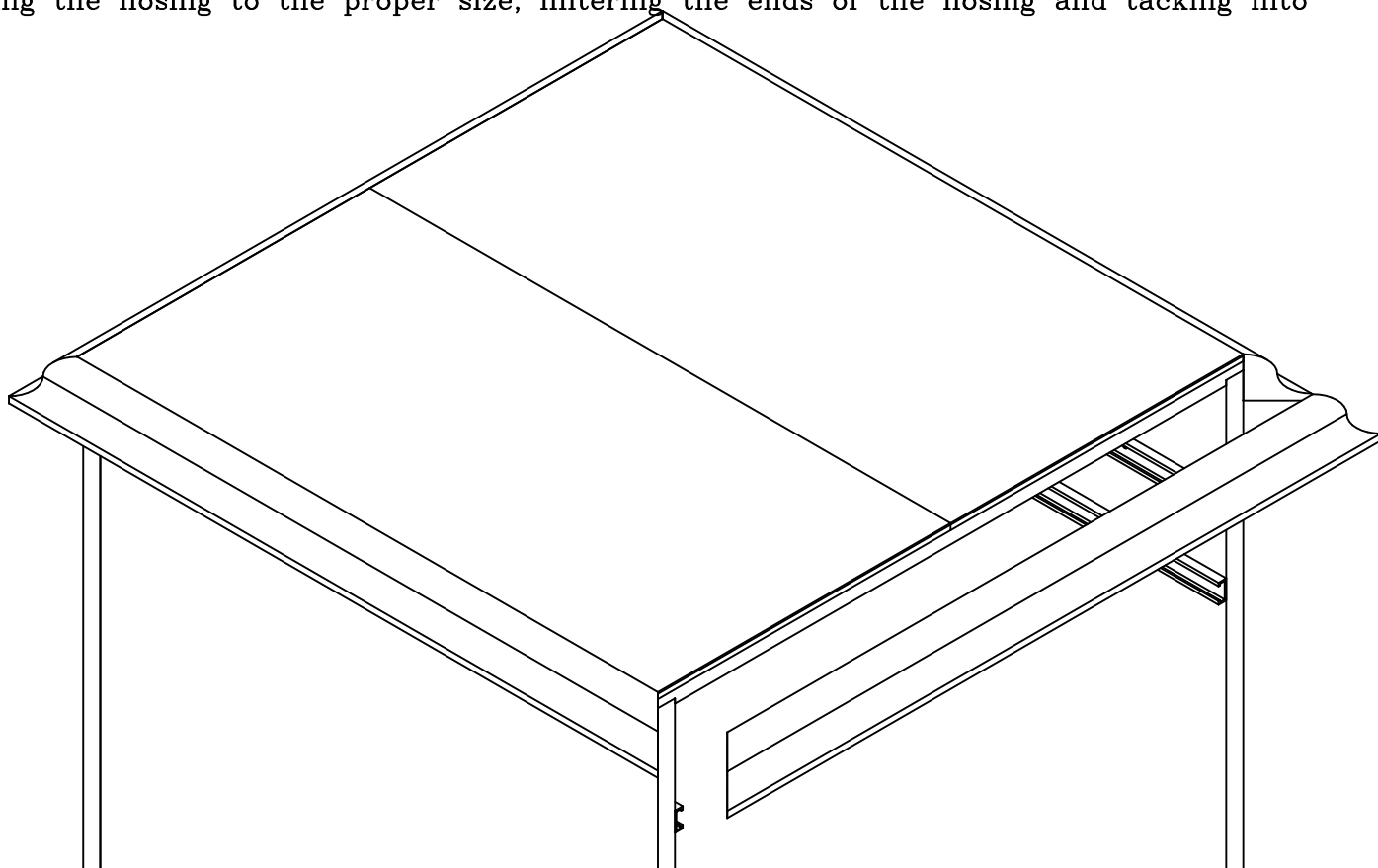


These edges will be used on the ends of the table top.

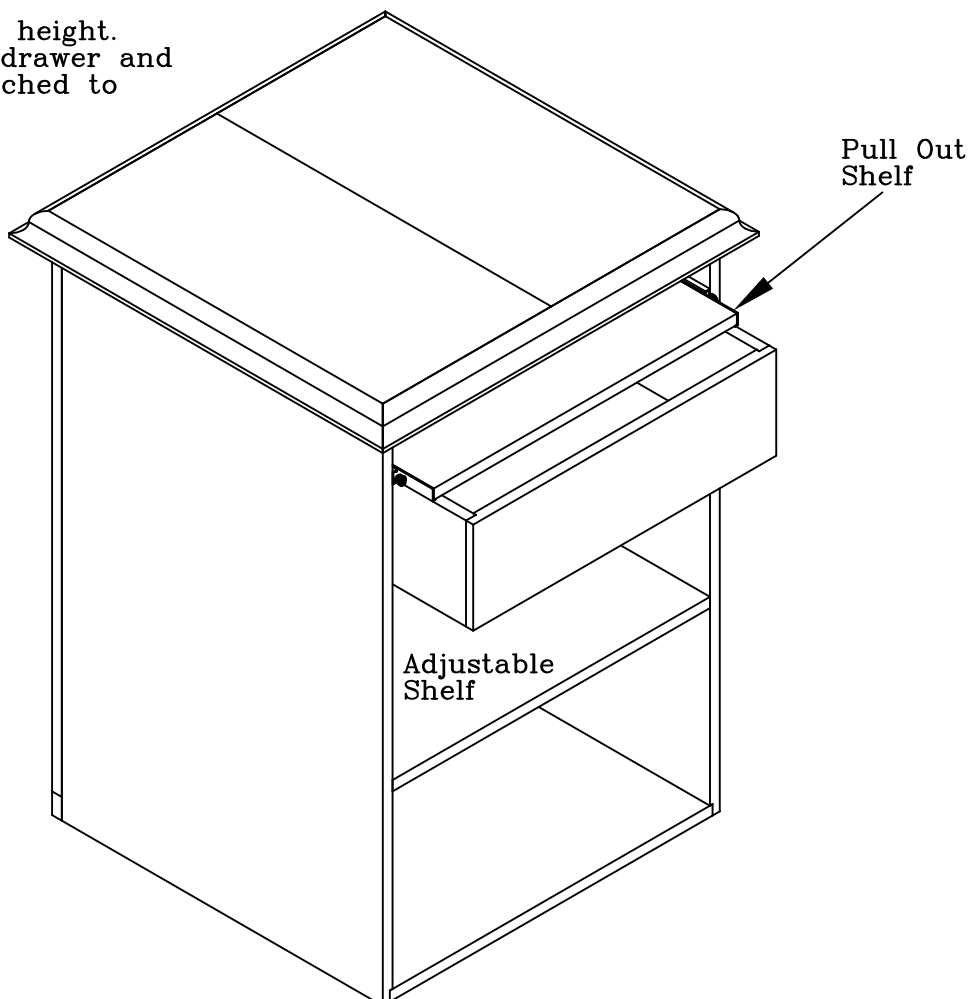


8.

Once the glue has cured it is time to attach multiple units together, if applicable, and to attach the nosing. When multiple units are being used connect each pair of units using four 1-1/4" #6 screws. Once complete, nosing should be attached to all exposed edges. This is done by cutting the nosing to the proper size, mitering the ends of the nosing and tacking into place.



9.
Insert shelf clips at desired shelf height.
Insert adjustable shelf. Take the drawer and
insert it onto the slide rails attached to
the sides. Do the same with the
pull out shelf.



10.
Align the drawer front with the
drawer. Attach the drawer front to the
drawer. Do this by screwing through
the back side of the drawer into the
drawer front with 2 1 1/4" #6 screws..

