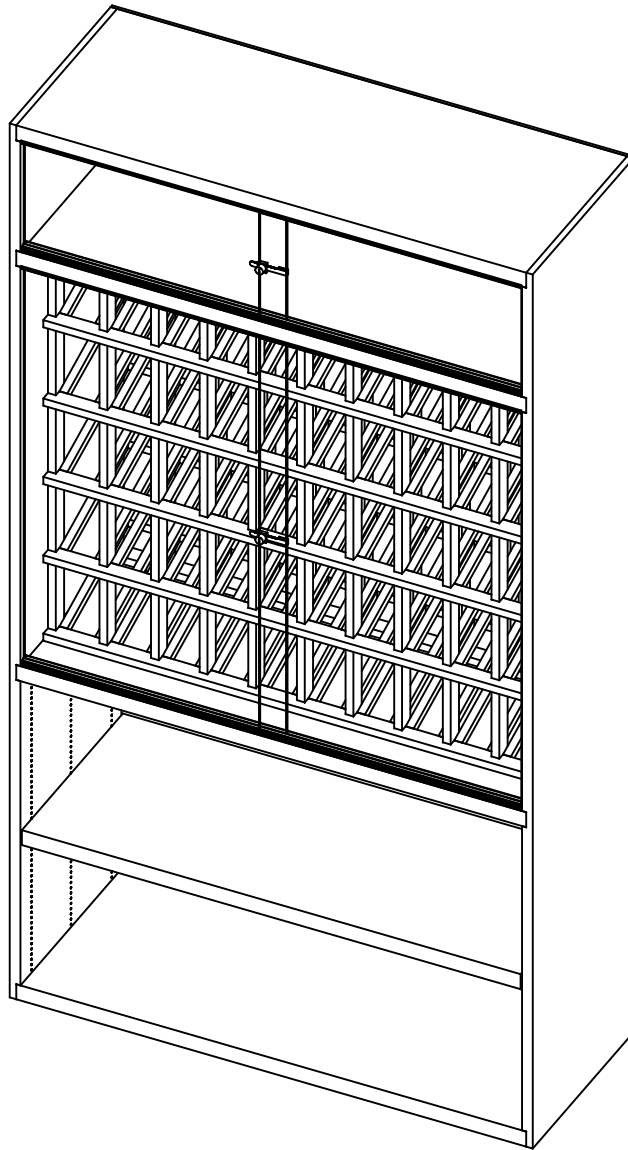


Commercial Display Racking

Locking Display Cabinet

Rev. 1/21/10



Thank you for your purchase from Wine Cellar Innovations. In the manufacturing and packaging of your products numerous people have reviewed your order for accuracy and attention to detail. We believe this focus is what has made us the worldwide leader in wine storage products.

When assembling the products, please refer to the instructions provided and follow them closely. Always pre-drill pieces any time a screw will be used as a fastener. Redwood is a soft and beautiful wood species, but will split like all other wood types if placed under unusual stresses. The cellar has been engineered with the weight of the bottles factored into the layout, and will be capable of sustaining loads far greater than this when assembled correctly.

If you happen to break a piece during installation we will replace it for free. In such a situation, feel free to contact us Monday through Friday between 8am and 5pm Eastern time.

Wine Cellar Innovations
4575 Eastern Avenue
Cincinnati, Ohio 45226

Phone: (800) 229-9813
Fax: (513) 979-5280
www.winecellarinnovations.com

Locking Display Cabinet Qty.

Rev. 1/21/10

Quantity

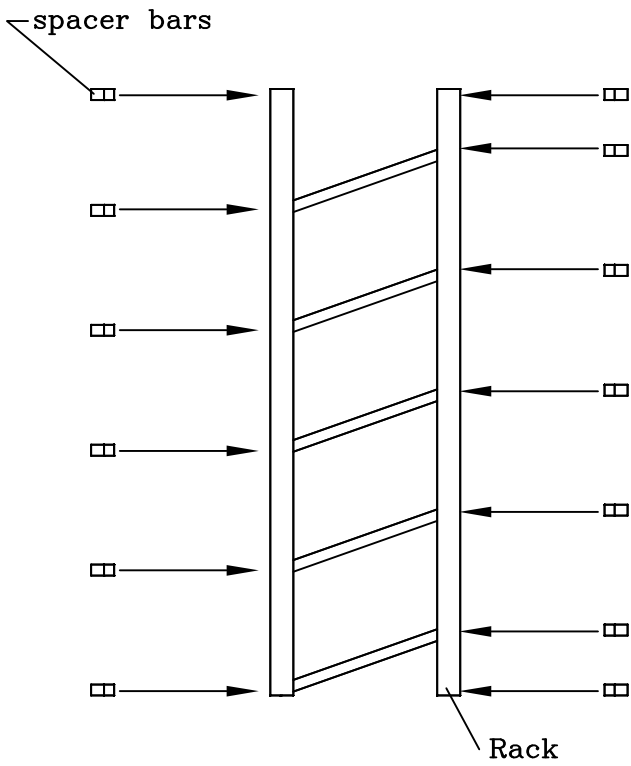
Enc. B.O.

T	E	Cabinet components		
	2	Shelves 7/8x 44 11/16x 17 11/16 Top, Bottom		
	2	Shelves 1 3/8x 44 11/16x 17 11/16 Fixed		
	2	Sides 7/8x 83 5/8x 17 11/16		
	1	Adj. Shelves 7/8x 43 13/16x 17 11/16		
	1	Plywood 3/16x 45 11/16x 12 11/16		
	1	Plywood 3/16x 45 11/16x 39 9/16		
	1	Plywood 3/16x 45 11/16x 31 3/8		
Sliding glass components				
	2	Sheets of glass 3/16x 22 1/2x 38 9/16		
	2	Sheets of glass 3/16x 22 1/2x 11 1/2		
	2	Sets of glass track 44 11/16		
Racks				
	1	Right		
	1	Left		
	9	Doubles		
Spacer Bars				
	13	Spacer Bars 11/16x 1 7/16x 43 7/8		
Hardware Pack				
	36	Ring shank nails		
	1	Bag of Nails		
	24	1 5/8" #6 screws		
	6	Adj. shelf clips		
	2	slide locks		
	4	Finger pulls		

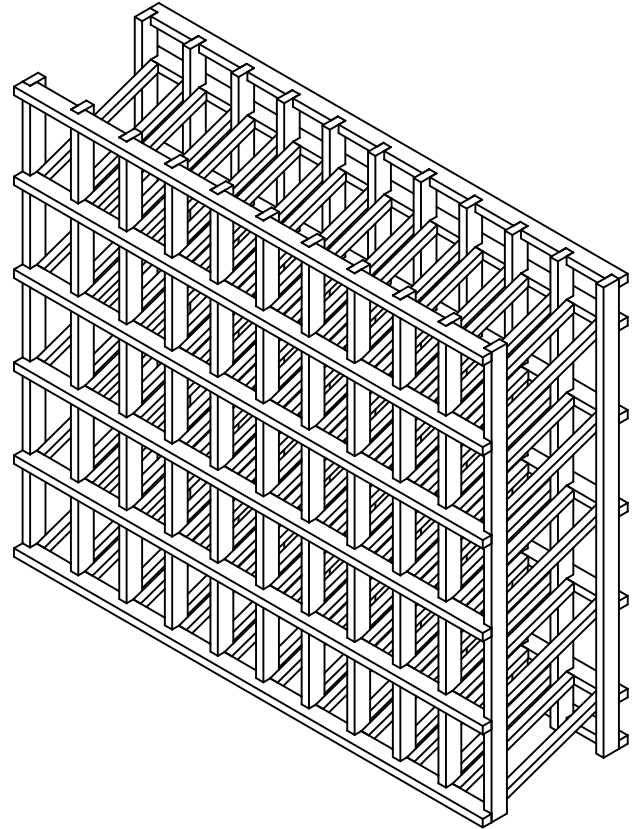
Step 1:

Attach spacer bars to (1) left, (1) right,
and (9) double Racks with nails.

Nail through each notch in spacer bar into posts on (1) middle spacer bar
on front of rack and (1) middle spacer bar on back of rack. Nail through
ends and a middle notch on all other spacer bars. This can be done with
the provided nails or with a brad nailer.



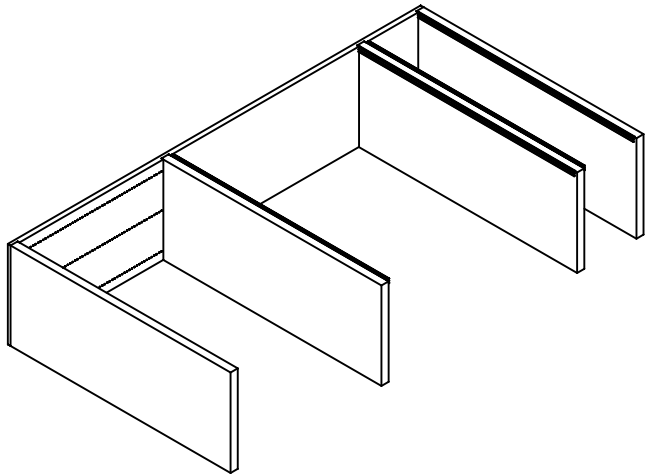
Side View



Place assembled racks to the side, move on to cabinet assembly.

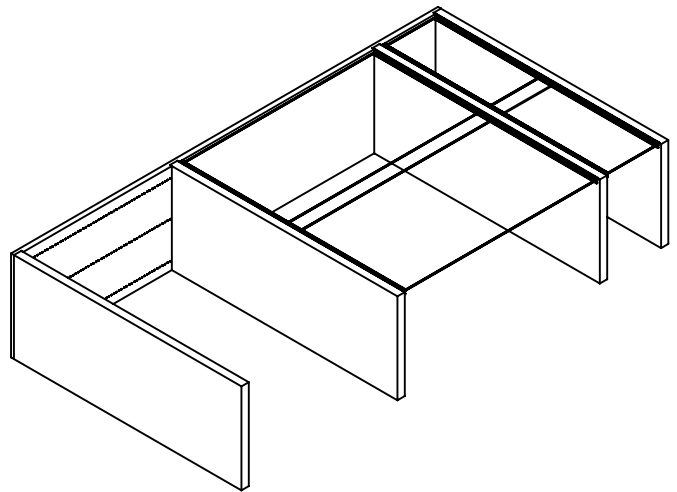
Step 2:

Using 2" #6 screws, attach top, bottom, and fixed shelves to 1 side.



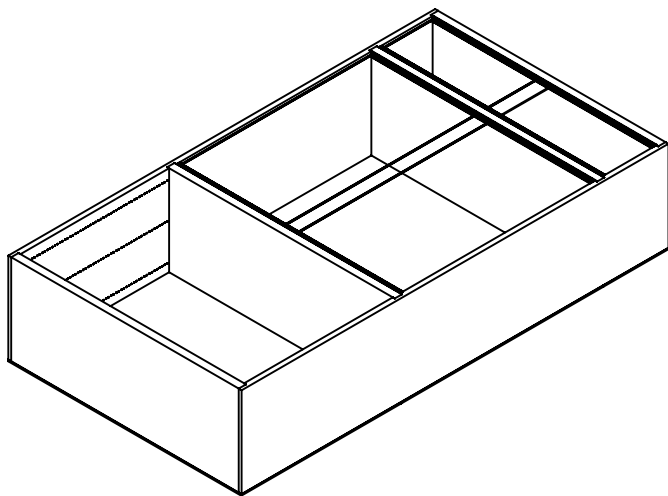
Step 3:

Carefully insert 4 sheets of glass into openings.



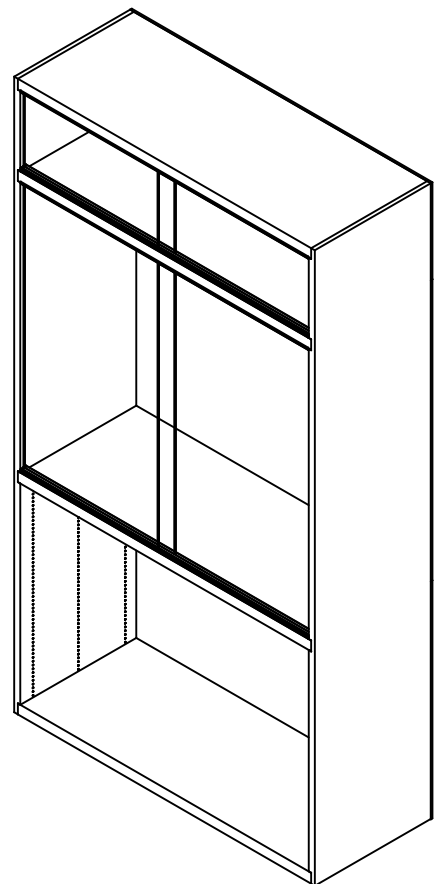
Step 4:

Attach top, bottom, and fixed shelves to remaining side.



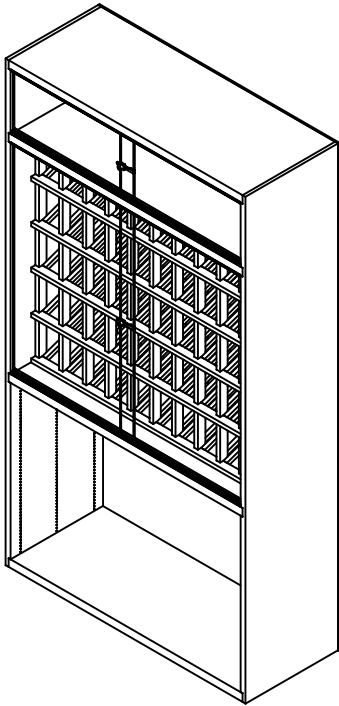
Step 5:

Stand cabinet upright.



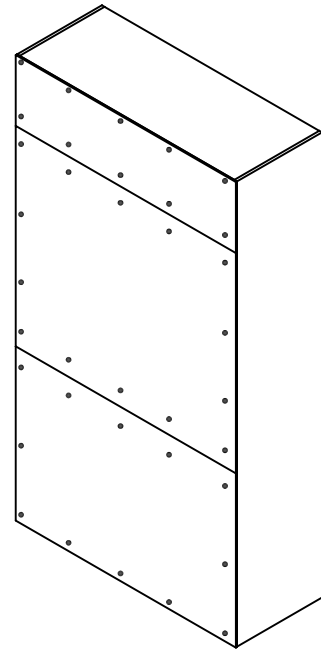
Step 6:

Insert assembled racks through back of cabinet



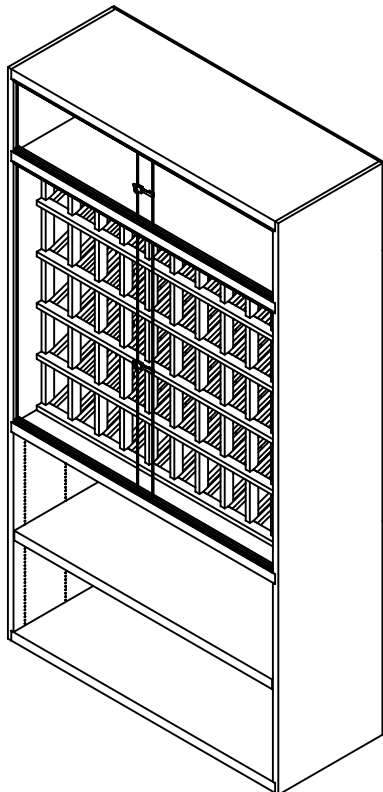
Step 7:

Attach three sheets of plywood to back of cabinet with ring shank nails.



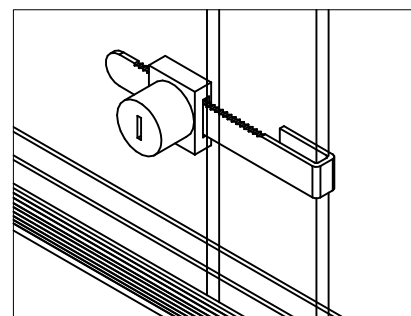
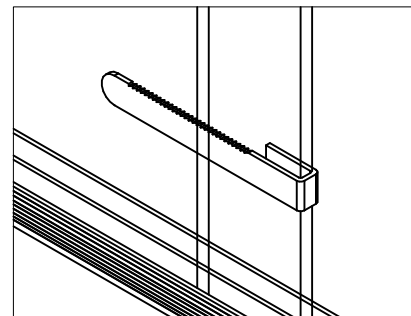
Step 8:

Insert Adjustable shelf clips into track at desired height, and insert adjustable shelf.



Lock Note:

Attach u-shaped piece to inner glass sheet. you may need to pinch metal together with pliers to fit snugly against glass. Outer glass sheet will partially slide over u-shaped piece. Insert lock component, slide against edge of outer glass sheet to lock.



Unit is now complete. Always remove bottles from racks before moving.