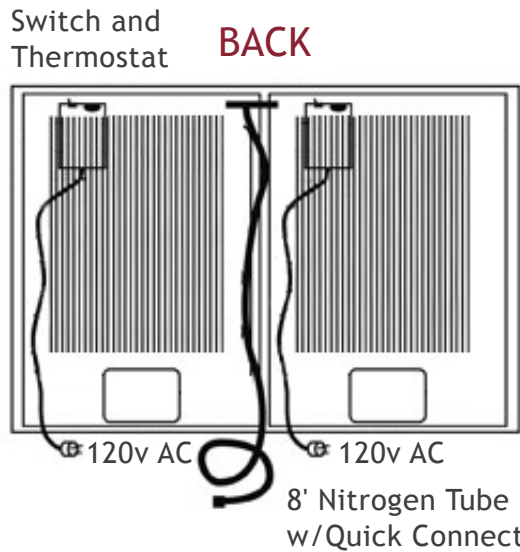
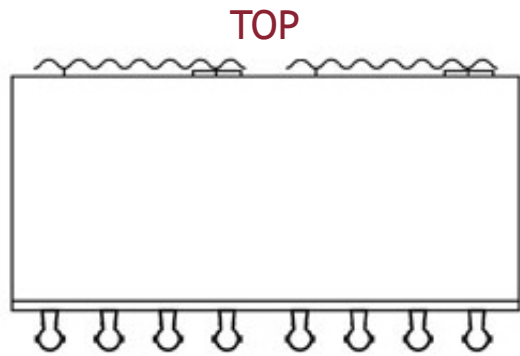


PRODUCT SCHEMATIC

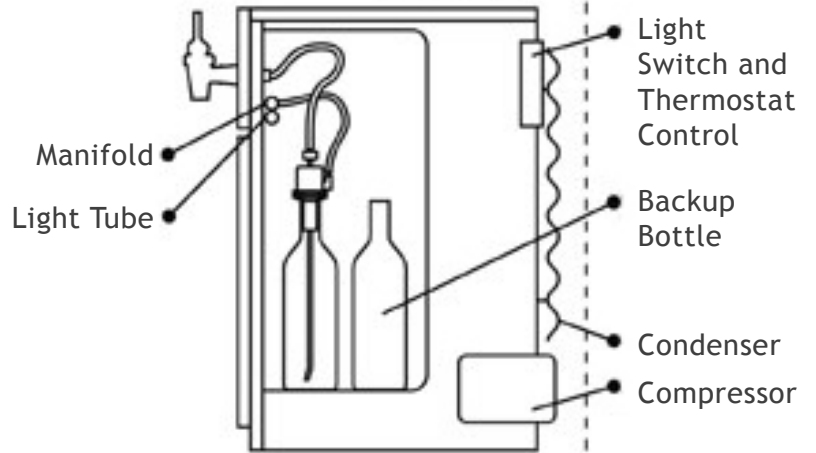
THE MONTEREY



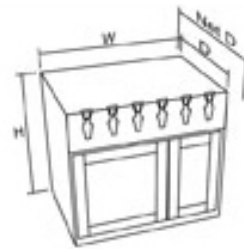
Vented Air Space 12" above

Note: Allow 1" minimum air space each side

SIDE / SECTION



MONTEREY 4x2



| Model | Faucets | Description | Amps | Width | Height | Depth | Net D | Weight |
|--------|-----------|-------------|------|--------|--------|-------|-------|---------|
| 4- | 4/0 | 4-Bottle | 0.8 | 22.25" | 27" | 19.5" | 22.5" | 85 lbs |
| 2x2- | 2/2 | 4-Bottle | 0.8 | 22.25" | 27" | 19.5" | 22.5" | 85 lbs |
| 4x2- | 4/2 | 6-Bottle | 0.8 | 30" | 27" | 19.5" | 22.5" | 120 lbs |
| 4x4- | 4/4 | 8-Bottle | 1.6 | 39.5" | 27" | 19.5" | 22.5" | 155 lbs |
| 4x4x4- | Vari-Temp | 12-Bottle | 2.4 | 58.75" | 27" | 19.5" | 22.5" | 190 lbs |