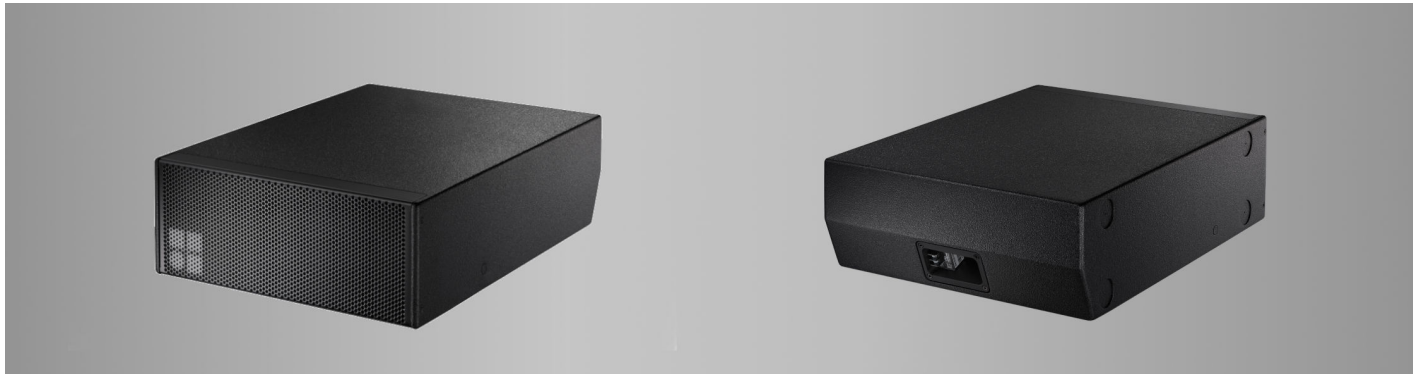


The Bi8 subwoofer



Bi8 subwoofer

The Bi8-SUB is an actively driven, compact, high performance subwoofer. The cabinet houses two 6.5" LF driver with ferrite magnets in a bass-reflex design. Its frequency response extends from 43 Hz to 170 Hz/125 Hz.

The enclosure is constructed from marine plywood with an impact resistant paint finish. The front of the cabinet is protected by a rigid metal grill backed by an acoustically transparent foam.

Two M8 threaded inserts are incorporated, one on each side panel to allow the attachment of a dedicated horizontal bracket.

The bottom panel and one side panel are equipped with four circular recesses to accept the enclosed rubber feet. The rubber feet can be attached if desired and are intended to prevent cabinet movement and protect the respective panel against scratching.

d&b amplifiers

The d&b audiotechnik loudspeaker range is designed exclusively for operation with d&b amplifiers. These provide power as well as comprehensive control and protection functions tailored to achieve the performance, reliability and longevity associated with the d&b system approach.

The installation specific d&b 10D amplifier is recommended to drive the Bi8-SUB with the appropriate loudspeaker setup selected. The d&b 30D, D6, D20 and D80 amplifiers can also be used.

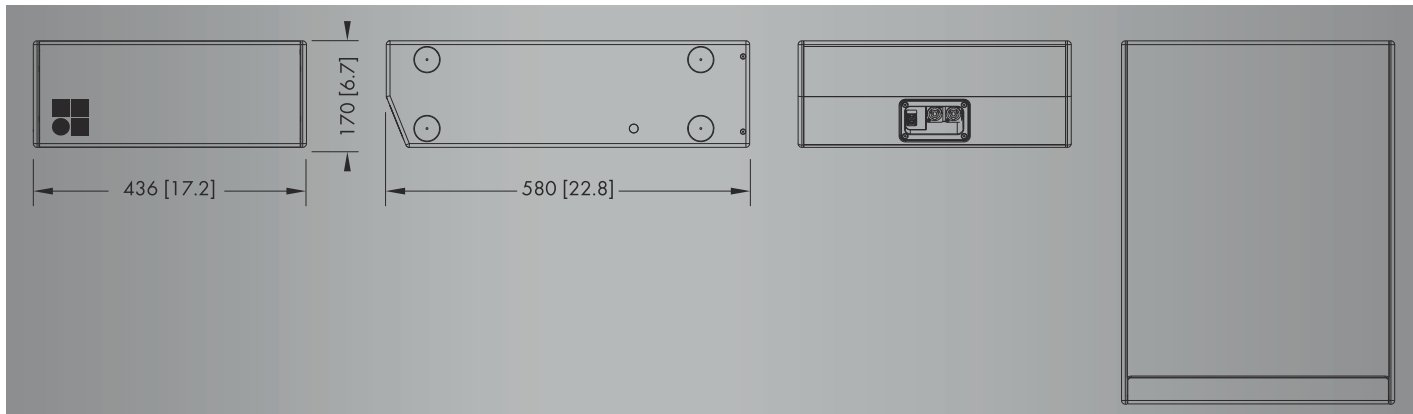
System data

Frequency response (-5 dB standard)	43 Hz - 170 Hz
Frequency response (-5 dB 100 Hz mode)	43 Hz - 125 Hz
Max. sound pressure (1 m, free field)	
with 10D/D6	120 dB
with 30D/D20	122 dB
with D80	122 dB
..... (SPLmax peak, pink noise test signal with crest factor 4)	

Loudspeaker data

Nominal impedance	8 ohms
Power handling capacity (RMS/peak 10 ms)	200/800 W
Components	2 x 6.5" driver with ferrite magnet
Connections	2 x NL4 M
.....	1 x screw terminal (ST - up to 4 mm ² /AWG 11)
.....	WR option: Faston type connector 2 x 6.3 mm, female
Weight	17 kg (37.5 lb)

The Bi8 subwoofer



Bi8-SUB cabinet dimensions in mm [inch]

Bi8-SUB features and benefits

- Ultra-compact high performance subwoofer
- Two 6.5" drivers built into a bass-reflex design
- Compatible with all current d&b amplifiers
- SPLmax 122 dB
- Can be flown or ground stacked horizontally or vertically
- Unobtrusive cabinet design ensures visual integration within any permanent installation

Applications

- Conference/presentation/teaching facilities
- Music and live program reinforcement for permanent installations
- Houses of worship
- Cruise ships
- Corporate and industrial rental
- Musical theater rental

Architectural specifications

The Bi8-SUB shall be an actively driven, compact, high performance subwoofer.

The cabinet shall consist two 6.5" LF driver with ferrite magnets in a bass-reflex design.

The loudspeaker shall only be operated by a dedicated, compatible controller amplifier.

The cabinet enclosure shall be made from marine plywood with an impact resistant paint finish.

Special colors according to RAL table and a weather resistant option shall be available upon request.

The driver shall be protected by a rigid metal grill backed by an acoustically transparent foam.

The bottom panel and one side panel shall be equipped with four circular recesses to accept optional rubber feet. These rubber feet shall be attached if desired and are intended to prevent cabinet movement and protect the respective panel against scratching.

Two M8 threaded inserts shall be incorporated, one on each side panel to allow the attachment of dedicated flying or horizontal brackets. The threads shall be covered by dummy caps in cabinet color.

The connection panel on the back shall be recessed and fitted with two speakon NL4 M sockets and a two pole screw terminal block. A cover plate for protection of the connection panel shall be included.

The power handling capacity shall be 200 W RMS and 800 W peak (10 ms). The frequency response (-5 dB) measured on axis shall be 43 Hz to 170 Hz with a maximum sound pressure of at least 122 dB. In addition a 100 Hz mode setup shall be provided with the upper operating frequency reduced down to 125 Hz to supplement applicable full-range systems.

The dimensions (W x H x D) shall not exceed 440 x 170 x 580 mm (17.3" x 6.7" x 22.8") and shall weigh no more than 17 kg (37.5 lb).

The loudspeaker shall be the Bi8-SUB by d&b audiotechnik GmbH.