

R90 Touchscreen remote control



R90 Touchscreen remote control

The R90 Touchscreen remote control is a dedicated solution to control any d&b audio installation. It is intended as an additional remote control device to recall AmpPresets and provide quick access to basic functions such as global power, mute, level and grouping, without using the d&b R1 Remote control software.

Using the OCA/AES70 protocol, it allows easy setup and control without the need of any additional program code.

The hardware consists of a 7" touchscreen (800 x 480 pixel) Industrial PC (IPC) device based on the Beckhoff CP6606 Panel PC. It incorporates a 1 GHz 7AMR Cortex A8 CPU and provides a steel housing with aluminum front. All connectors are accessible from the lower rear panel. A low installation depth and pull-out clamping levers facilitates easy mounting, without any loose parts.

Interfaces

- 1 on-board Ethernet adapter 10/100BASE-T with RJ-45 connection
- 2 USB 2.0 interfaces

Processor

- 1 GHz 7AMR Cortex A8 CPU

Protection class

Front side IP54, rear side IP20

EMC compatibility

- Resistance to interference conforms to EN 61000-6-2
- Emission of interference conforms to EN 61000-6-4

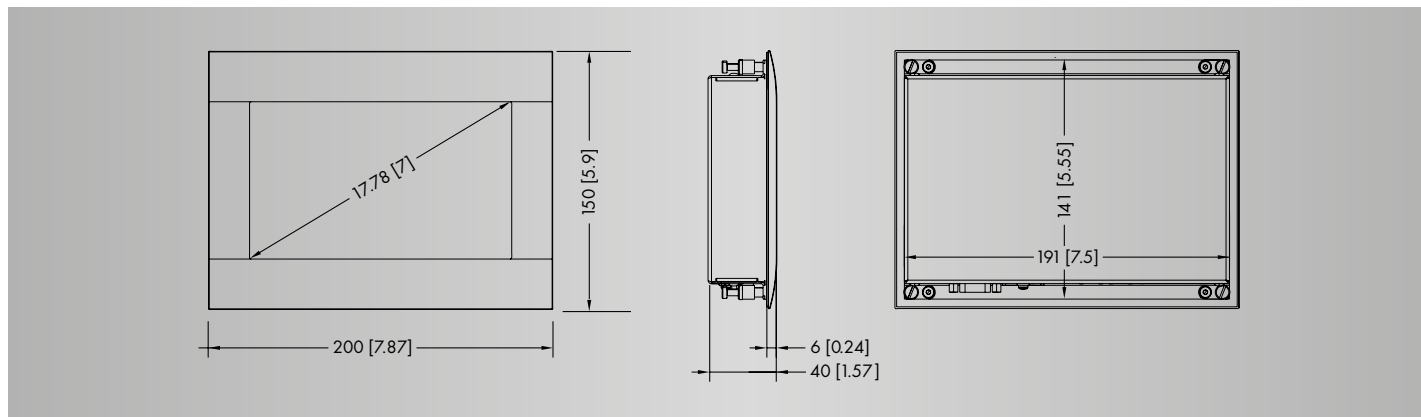
Power supply

- Supply voltage 24 VDC
- Power consumption 12 W (max)

Dimensions and weight

- Height x width x depth..... 150 x 200 x 40 mm (5.9" x 7.87" x 1.57")
- Install measure (cut out)..... 141 x 191 mm (5.55" x 7.5")
- Weight 0.9 kg/1.98 lb

R90 Touchscreen remote control



R90 Touchscreen remote control dimensions in mm [inch]

Features and benefits

- 7-inch TFT display, 800 x 480 WVGA
- Touchscreen
- Aluminum front with sheet-steel rear cover
- Protection class front side IP54, rear side IP20
- All connectors at the lower rear side
- Pull-out clamping levers for fast installation without loose parts
- Low installation depth.

Software features

- Straightforward configuration of general system operation (power, mute, grouping and recall of AmpPresets)
- Customizable preset icons
- Customizable preset background picture
- Web remote interface
- Password protection

Applications

- Performing arts venues
- Permanently installed music and live programme reinforcement
- Night clubs
- Restaurants
- Multipurpose suites
- Houses of Worship
- Corporate events
- Conference facilities

Architectural specifications

The device shall consist of an 7" touchscreen (800 x 480 pixel) IPC based on the Beckhoff CP6606 Panel-PC. It shall incorporate a 1 GHz 7AMR Cortex A8 CPU and shall provide a steel housing with aluminum front. All connectors shall be accessible from the lower rear panel. It shall provide low installation depth and pull-out clamping levers to allow easy mounting, without any loose parts.

The device shall act as a dedicated solution to control any d&b audio installation. It shall be intended as an additional remote control device to recall AmpPresets and provide quick access to basic functions such as global power, mute, level and grouping, without using the d&b R1 Remote control software.

Running with OCA/AES70, it shall allow easy setup and control of up to 15 d&b four channel amplifiers without the need of additional program code.

The overall dimensions (HxWxD) shall not exceed 150 x 200 x 40 mm (5.9" x 7.87" x 1.57") and shall weigh no more than 0.9 kg (1.98 lb).

The device shall be the R90 by d&b audiotechnik GmbH & Co. KG.