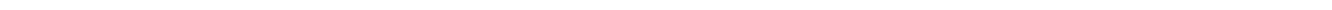
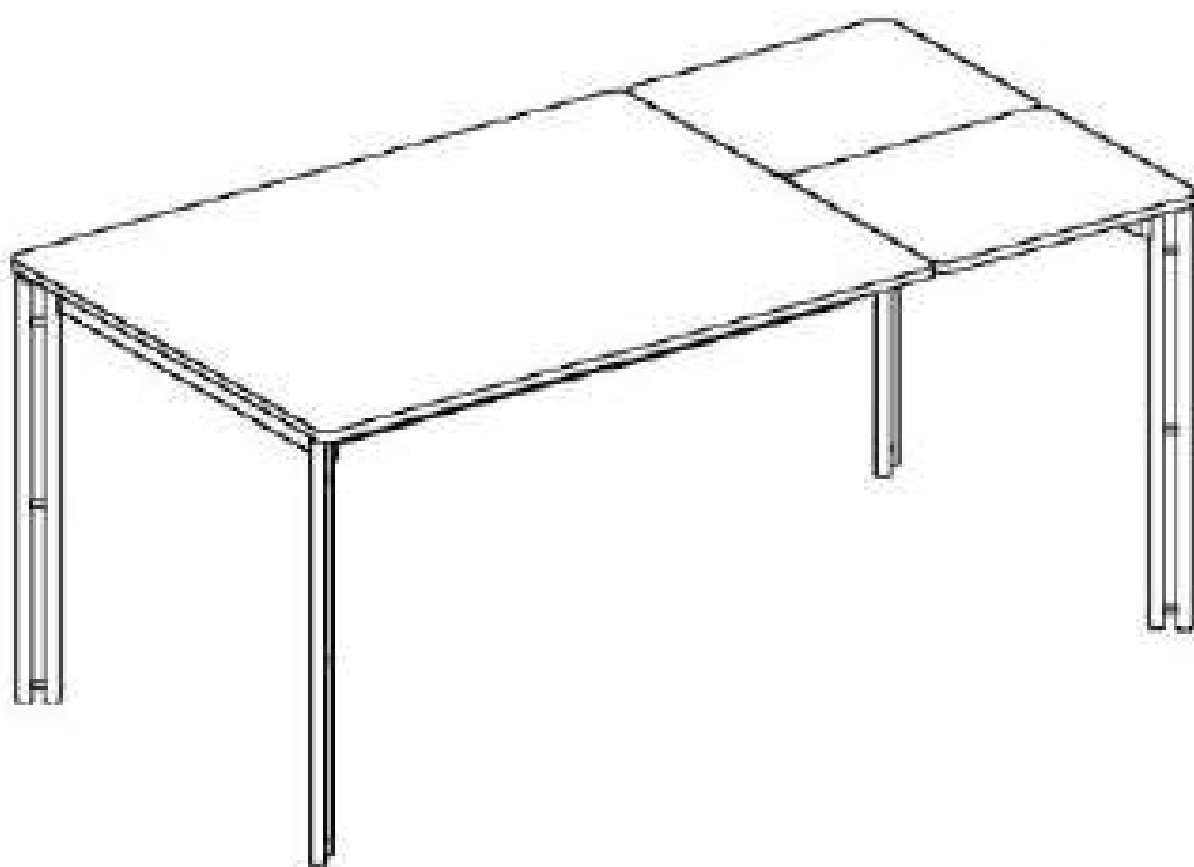
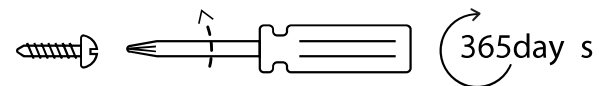
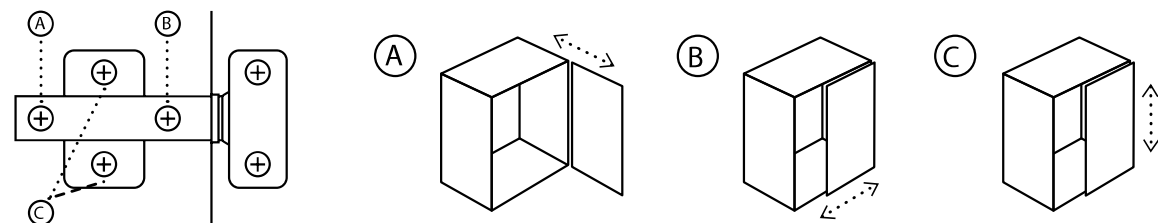
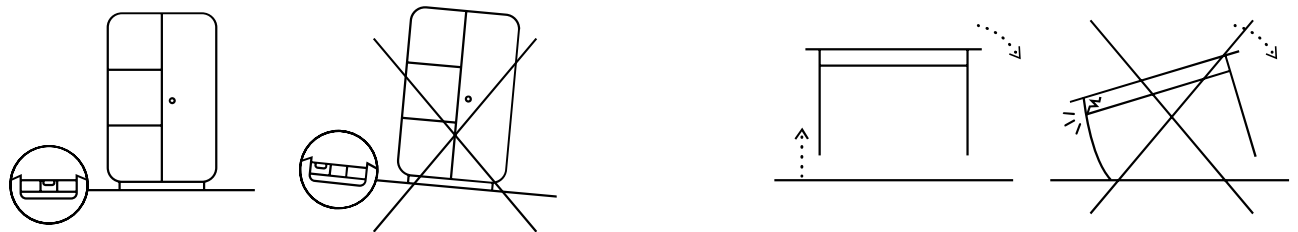
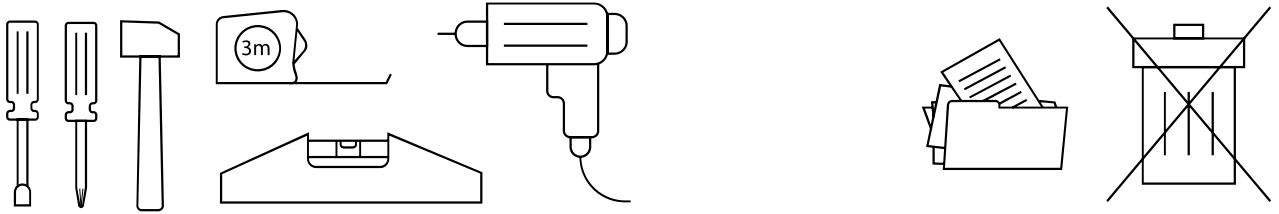
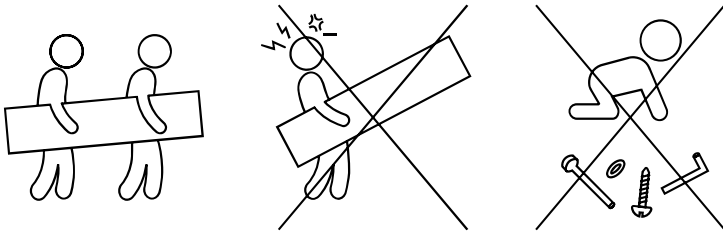




**MH009**

---







30 min



x3



x2



A x2



B x1



C x1



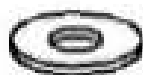
D x8 (M10x25)



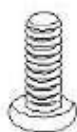
E x1



F x8



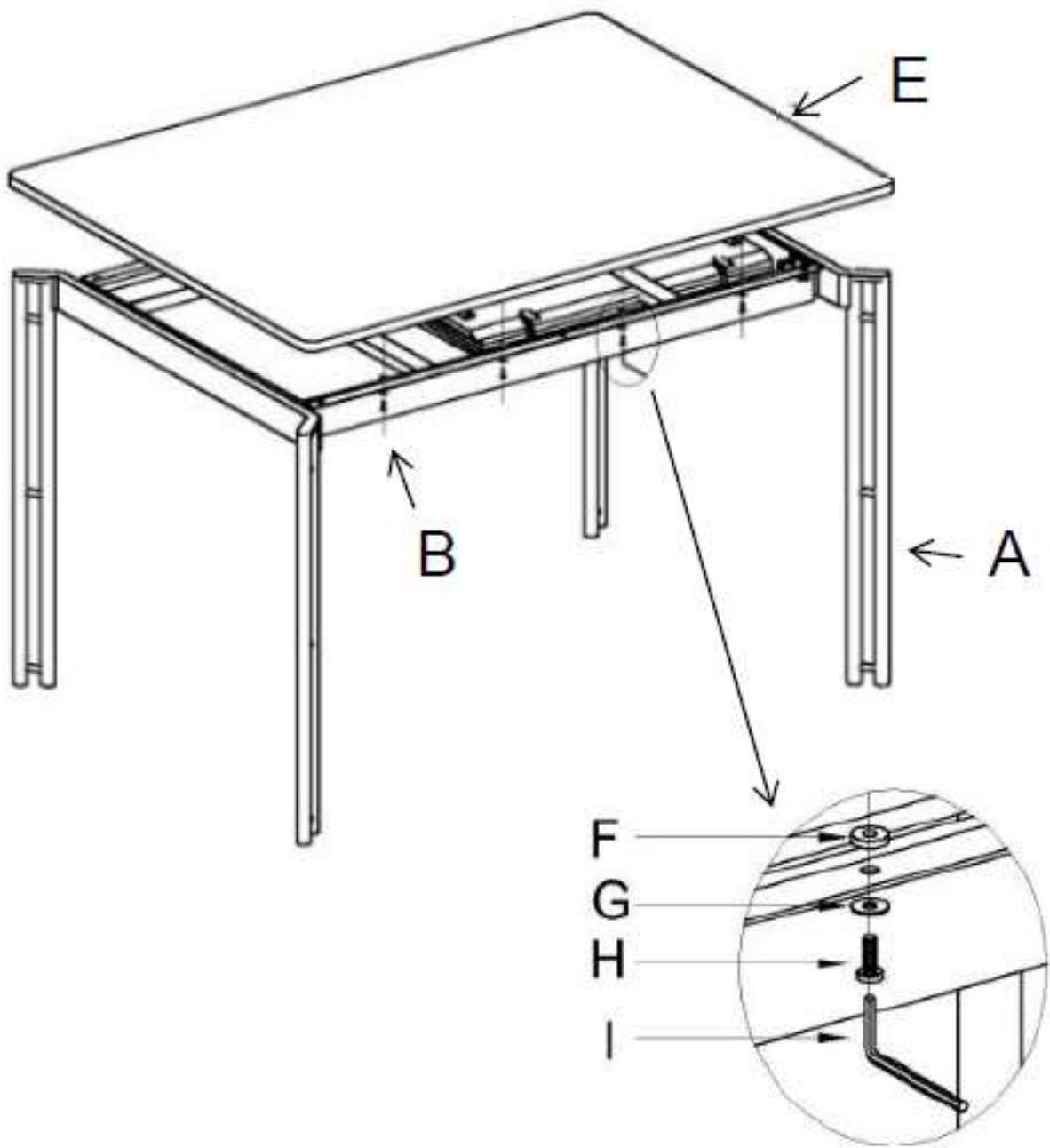
G x8



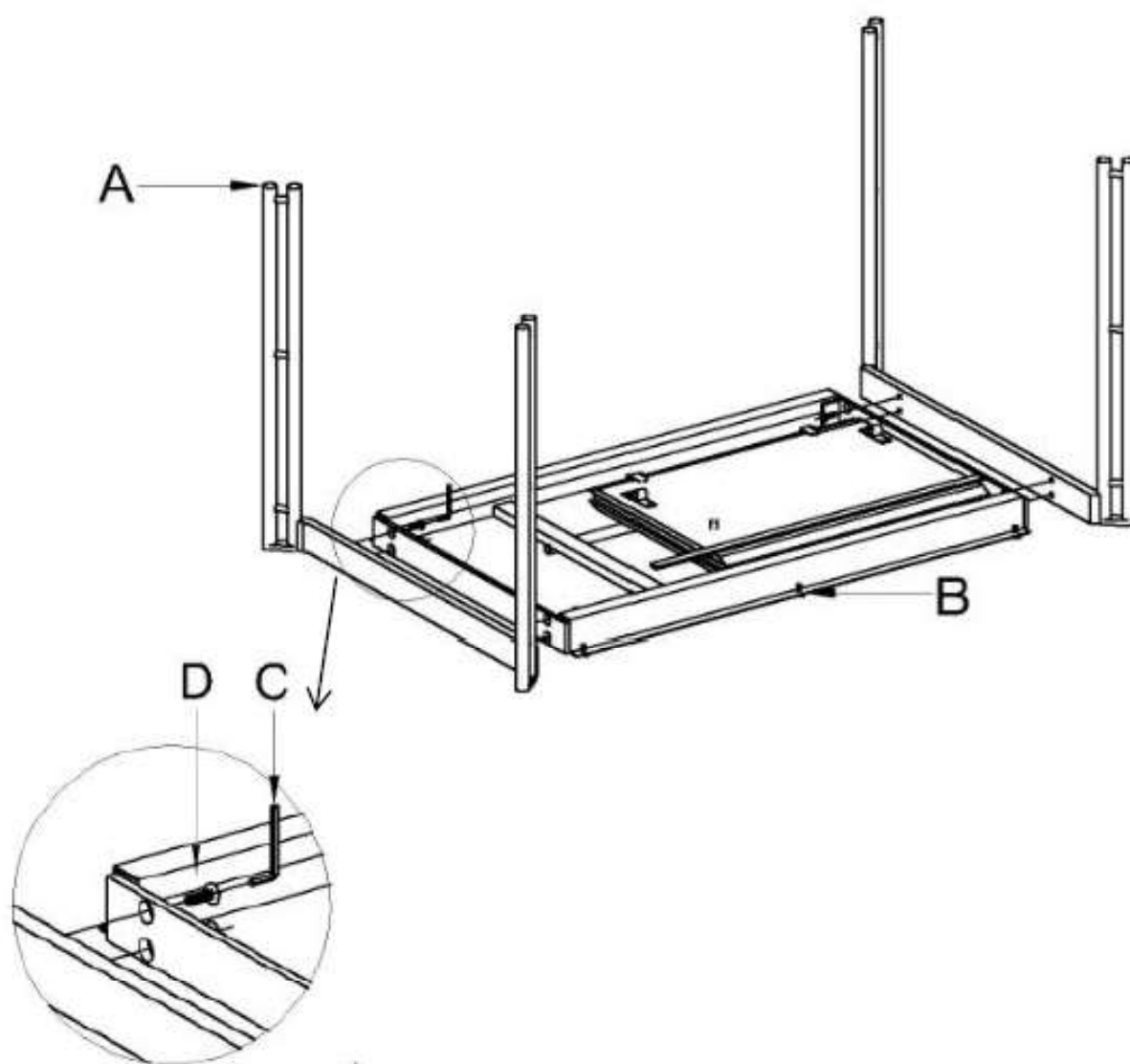
H x8 (M6x20)



I x1 (#4)

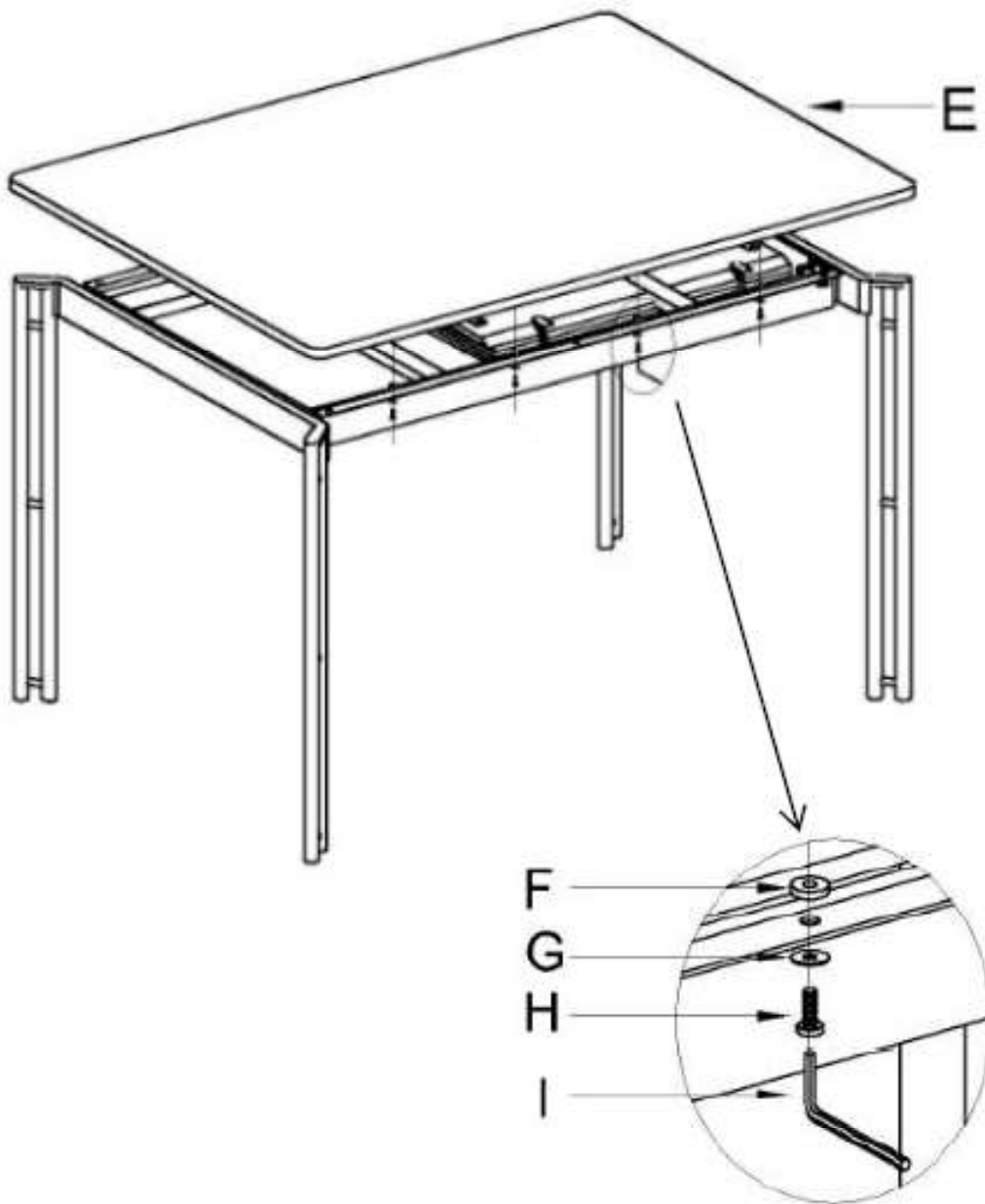


1



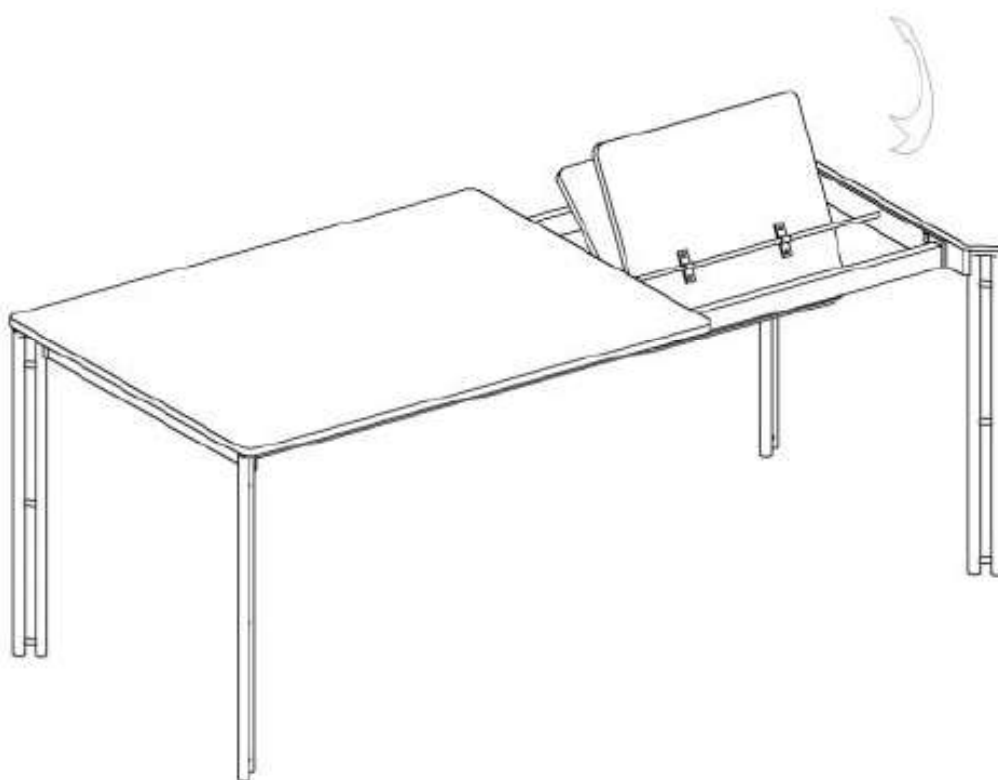


2





3



**JULIÀ GRUP Furniture Solutions S.L.**

B-17616277

Pol. Ind. Bosc d'en Cuca

C / Tallers, 14

17410 Sils SPAIN

[info@juliagrup.com](mailto:info@juliagrup.com)