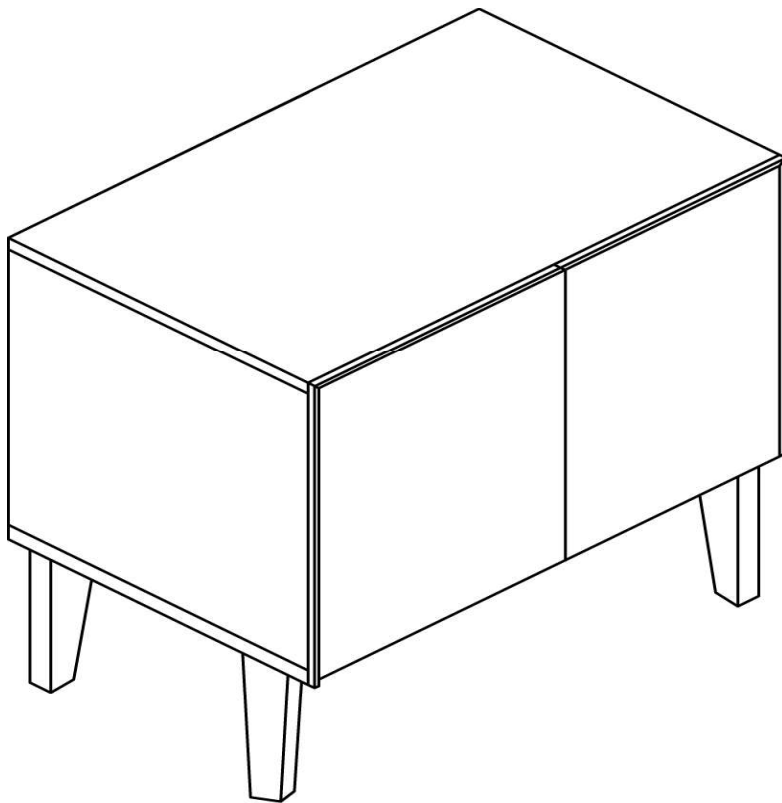
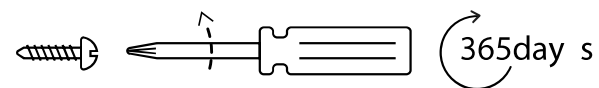
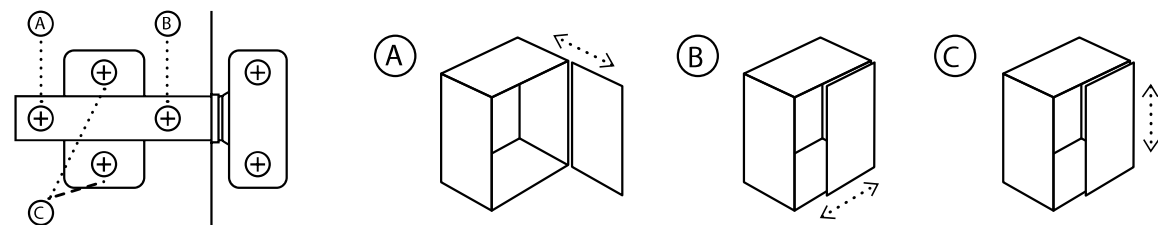
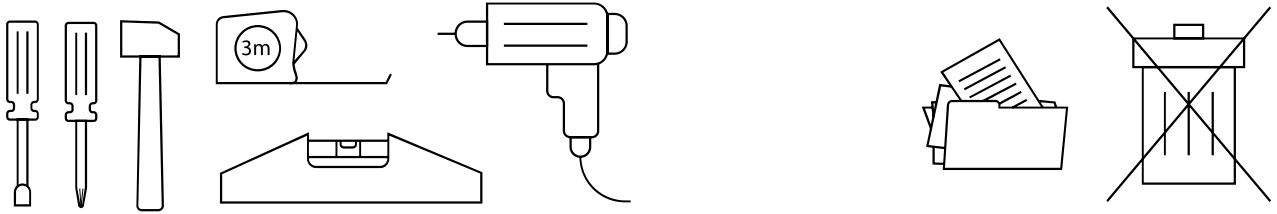
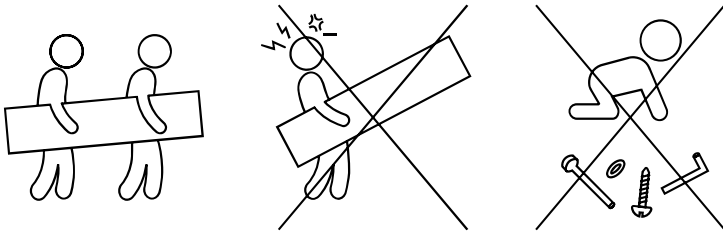




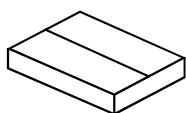
Y003



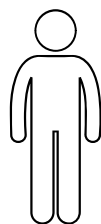




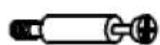
30 min



x1



x2



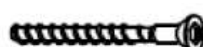
A x6 ($\phi 6 \times 36$)



B x6 ($\phi 15 \times 10$)



C x20 ($\phi 7.8 \times 30$)



D x6 (7x50)



E x6



F x8 (M6x50)



G x8 ($\phi 16 \times \phi 8$)



H x8 ($\phi 16 \times \phi 6.5$)



I x8 ($\phi 5 \times 16$)



J x33 (3.5x14)



K x1 (M4)



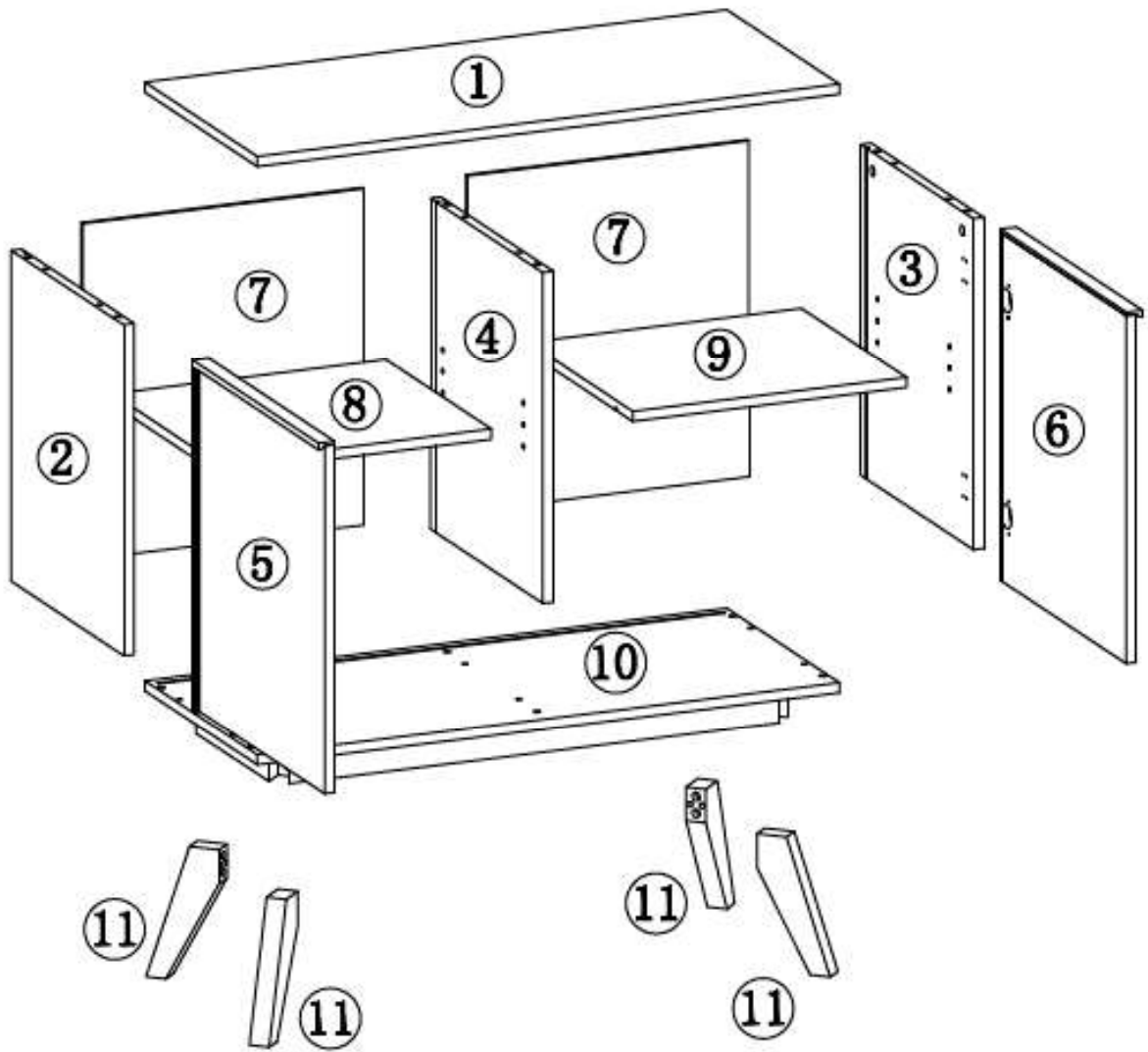
M x4



N x8 (15x10)

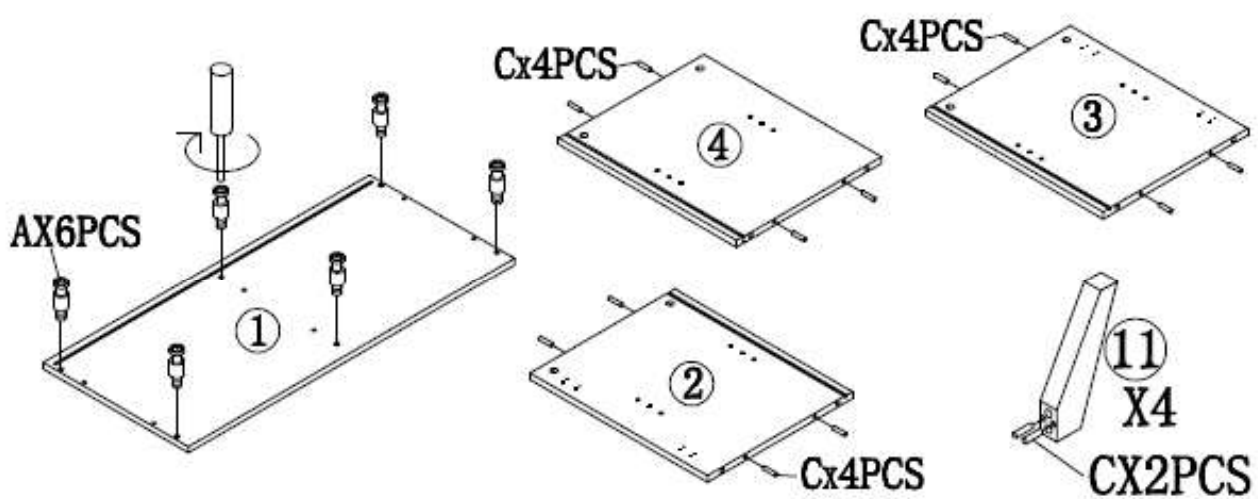


O x1



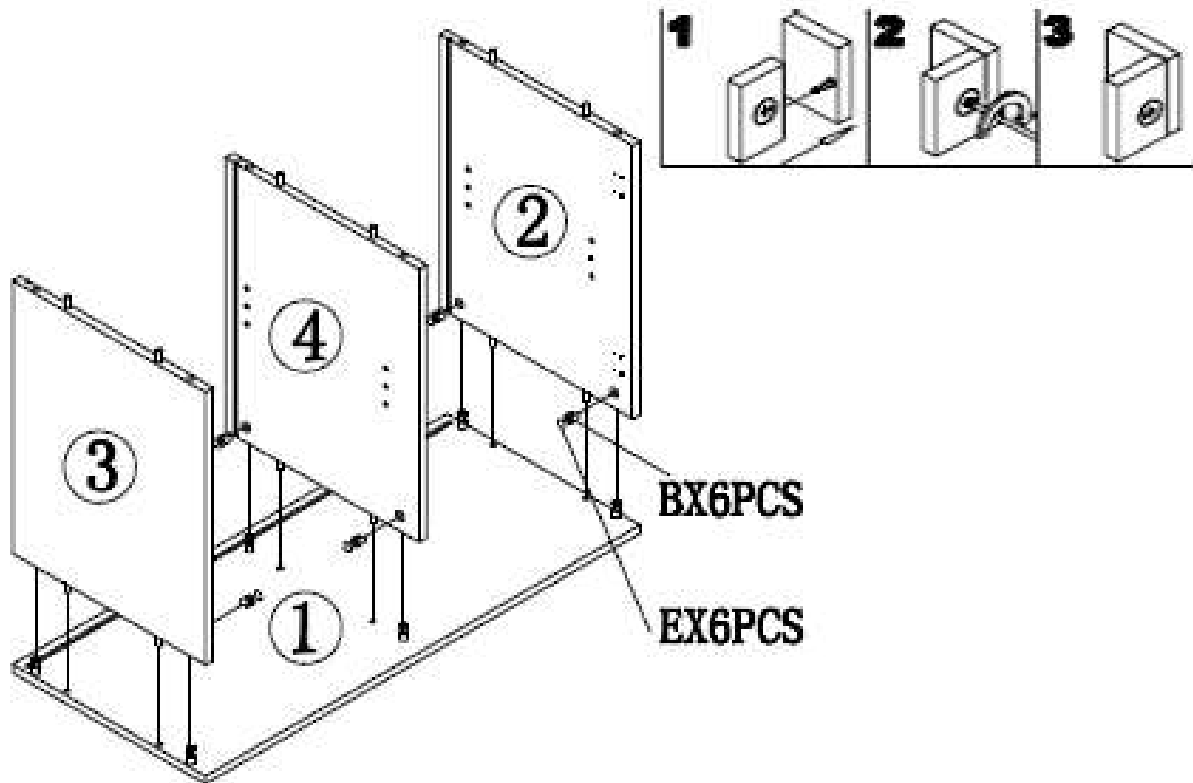


1

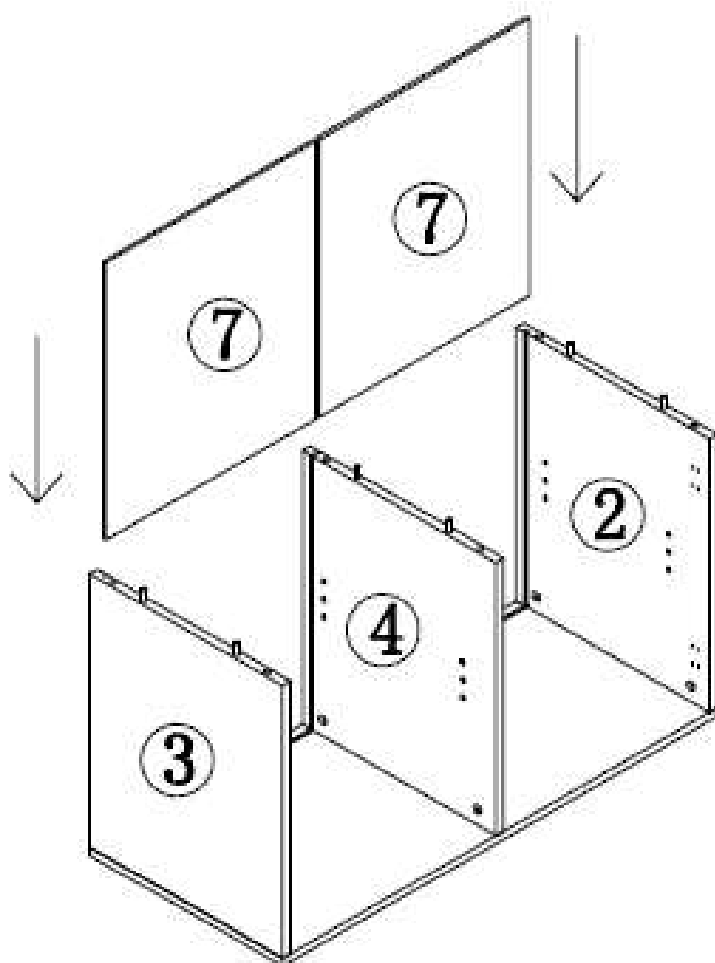




2

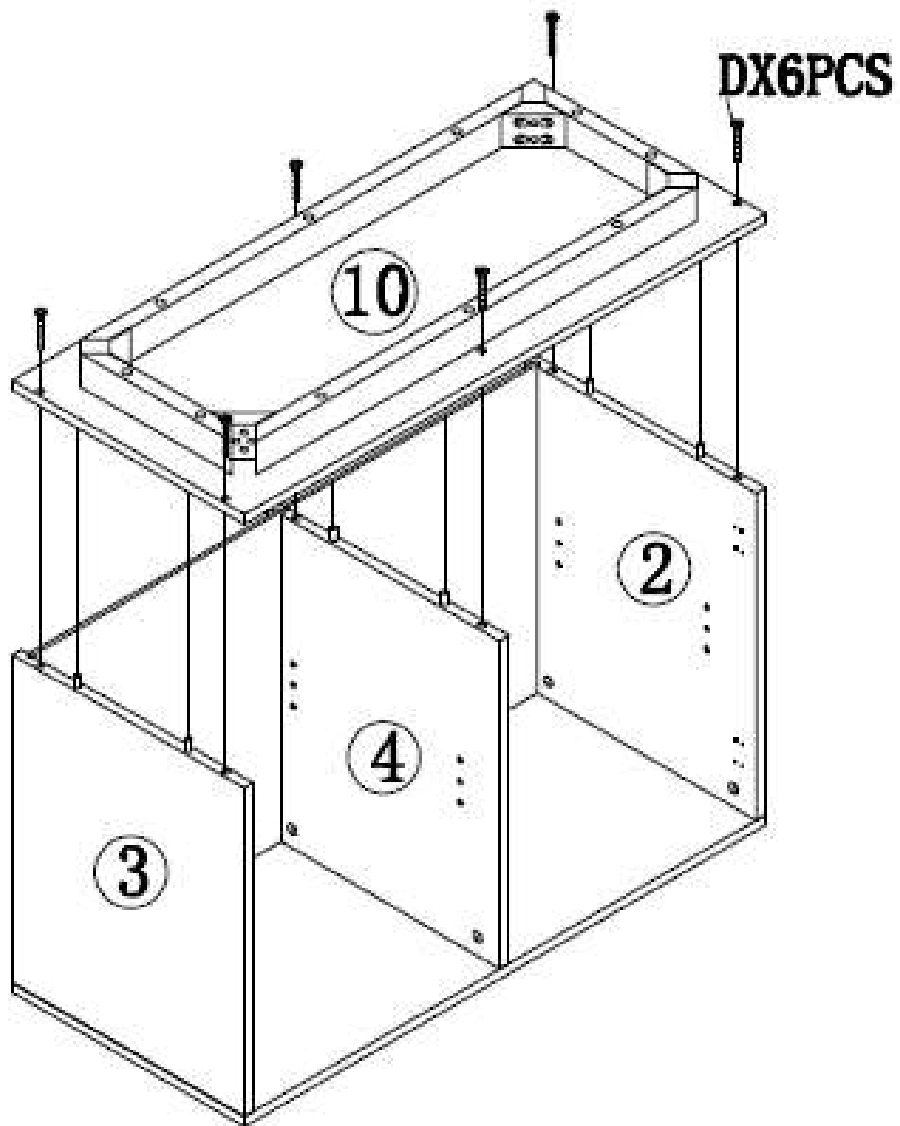


3

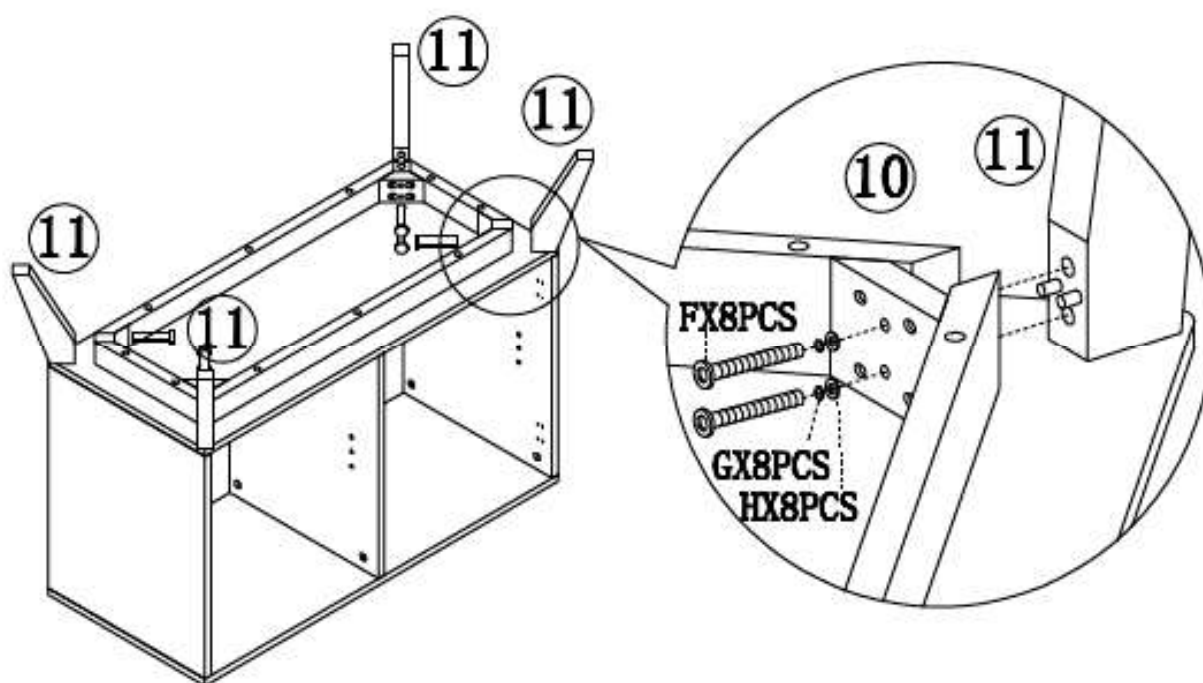




4

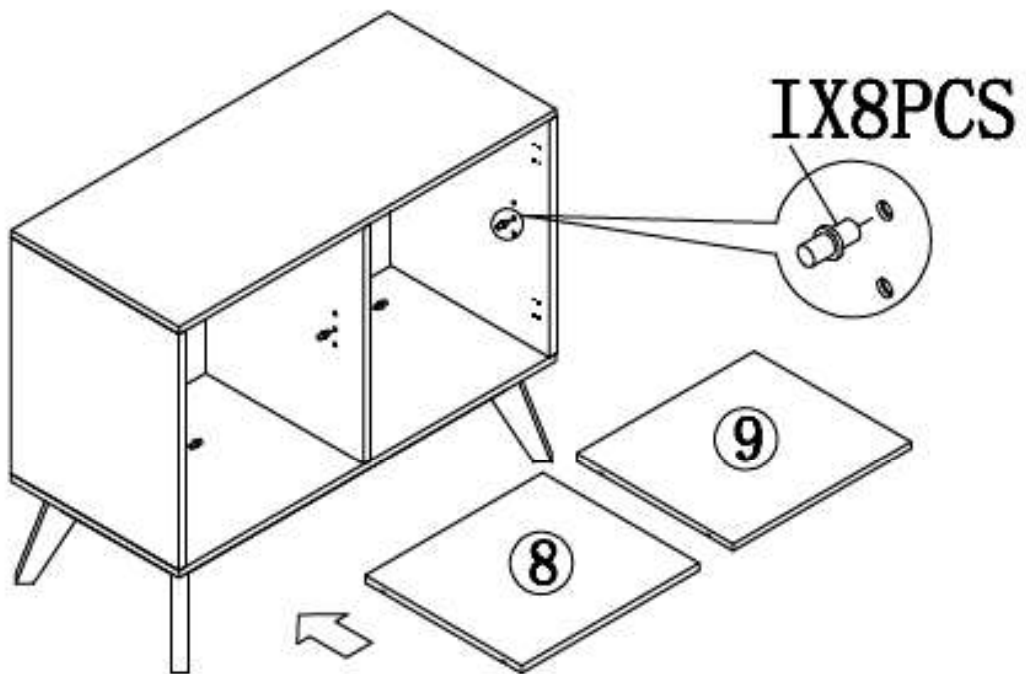


5

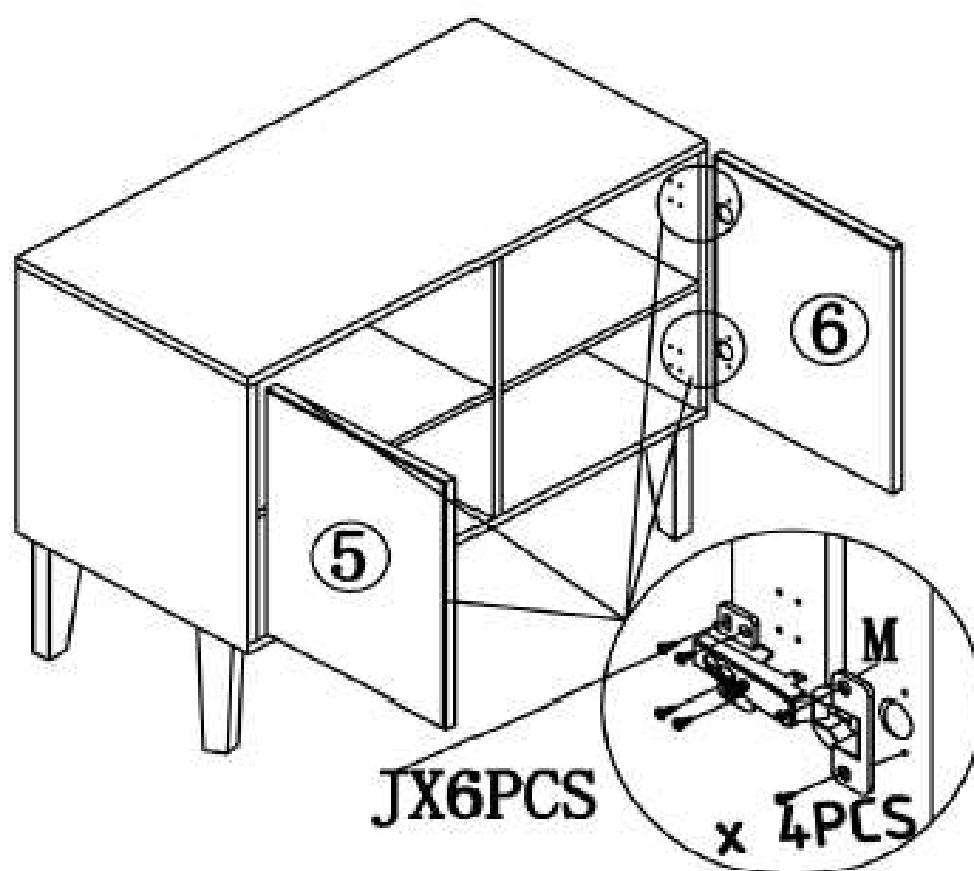




6

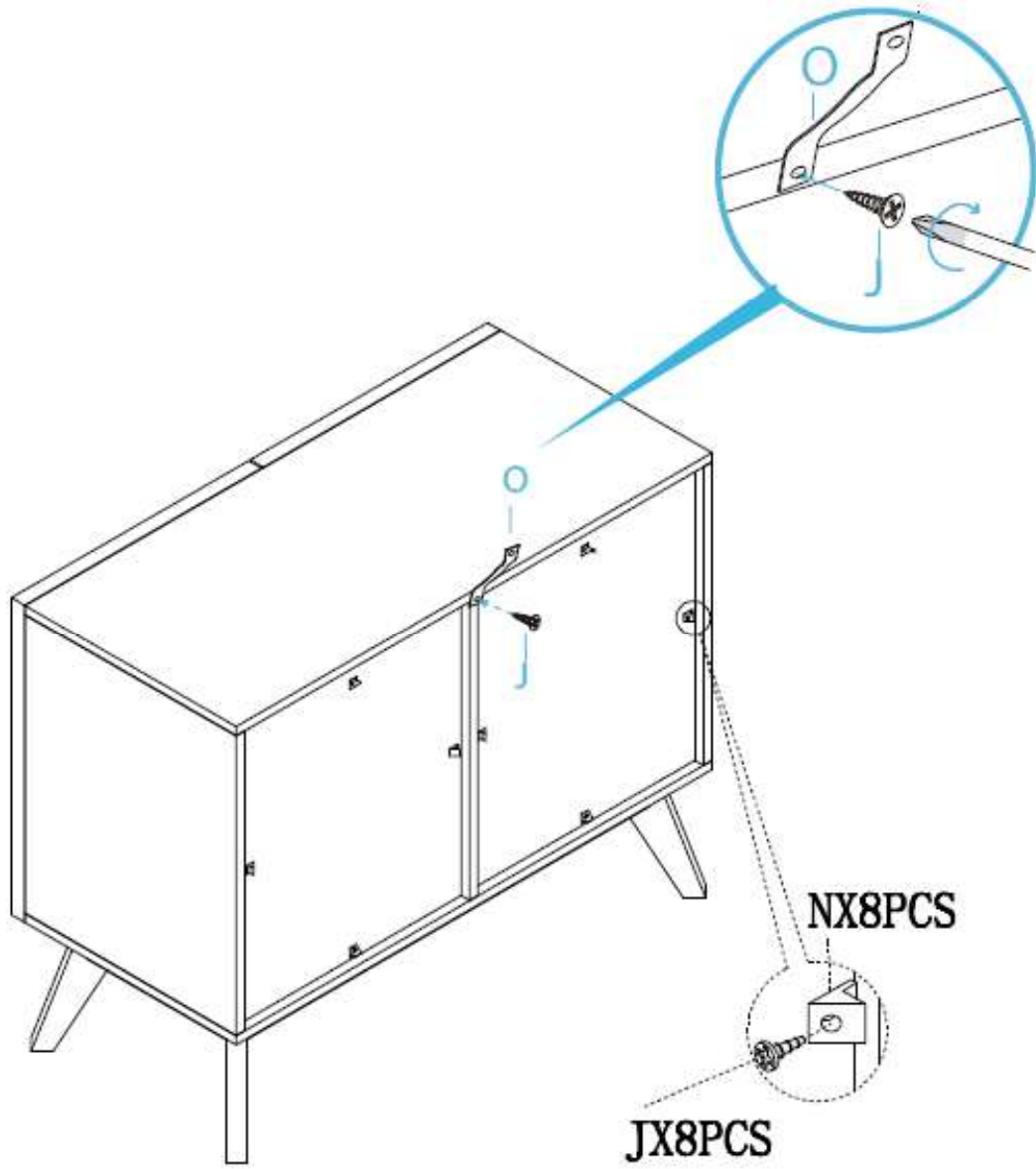


7

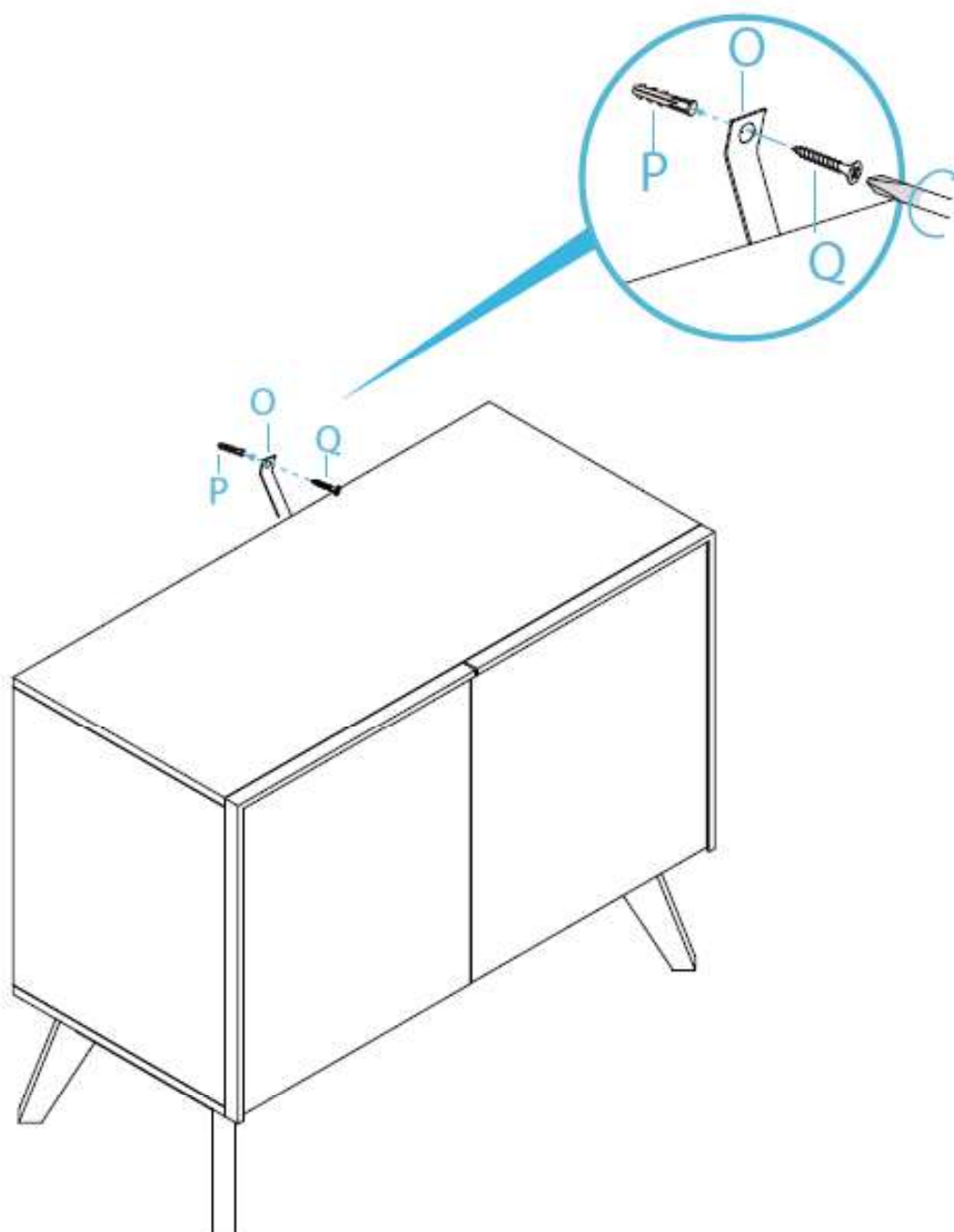




8



9



JULIÀ GRUP Furniture Solutions S.L.

B-17616277

Pol. Ind. Bosc d'en Cuca

C / Tallers, 14

17410 Sils SPAIN