

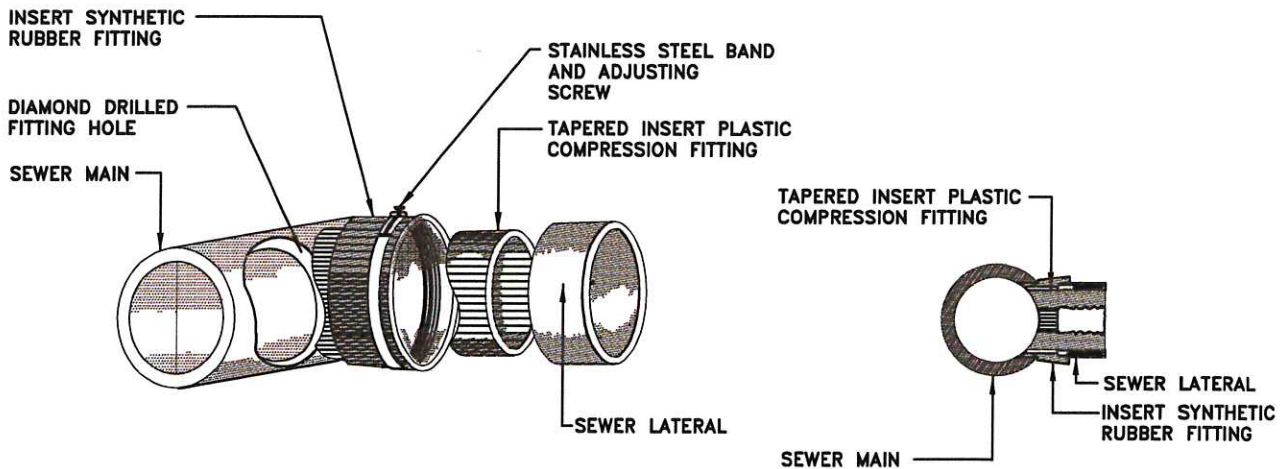
SIZE	PART No.	STYLE	A	WT. (approx.)
6x4	255-064	Molded	8.9	1.4
8x4	255-084	Molded	10.4	1.5
8x6	255-086	Molded	12.0	3.3
10x4	255-104	Molded	11.9	1.2
10x6	255-106	Molded	13.0	3.3
12x4	255-124	Molded	13.4	1.2
12x6	255-126	Molded	14.3	3.8

SIZE	PART No.	STYLE	A	WT. (approx.)
6x4	256-064	Molded	3.3	1.0
8x4	256-084	Molded	4.5	1.2
8x6	256-086	Molded	4.7	2.4
10x4	256-104	Molded	5.5	3.3
10x6	256-106	Molded	5.7	2.3
12x4	256-124	Molded	6.5	1.2
12x6	256-126	Molded	6.6	3.1

SADDLE WYE

SADDLE TEE

CONNECTION TO SEWER MAINS  
6"Ø TO 12"Ø



CONNECTION TO SEWER MAINS  
GREATER THAN 12"Ø  
"TAP - TITE"



**CITY OF DALY CITY, CALIFORNIA**  
NORTH SAN MATEO COUNTY SANITATION DISTRICT

STANDARD  
DETAIL

**SEWER LATERAL CONNECTIONS**

**SS-6**

REVIEWED BY:

DWWR DIRECTOR

ADOPTED ON:

JAN 14, 2019  
BOARD OF DIRECTORS

DATE: NOV 2018