



## WCP365 X-MACRO Grip Module Slide Compatibility & Features

### WCP365 X-MACRO Modules (1913 Light Rail)

The following Wilson Combat X-MACRO modules (1913 rail) can be used with any XL slide. XL slides have an overall length of 6.6 in.

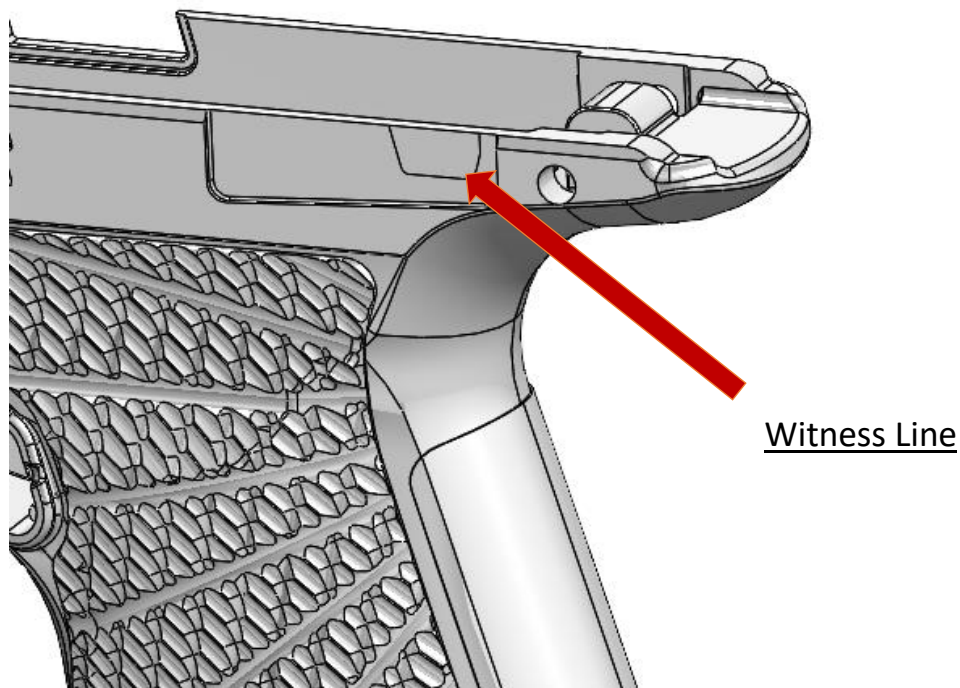
365M-SB

365M-SG

365M-SGN

365M-ST

**\*\*NOTE 1:** If your fire control unit has a manual safety you will have to manually cut out the safety notch on both sides of the module. There will be a faint witness mark to follow. Wilson Combat X-MACRO modules have a reduced thickness in the safety location to fit the standard manual safety of the P365. A hand file or Dremel tool is recommended to cut this.



**Example:** XL Slide (6.6 in) on Wilson Combat X-MACRO modules (1913 rail). P#'s (365M-SB, 365M-SG, 365M-SGN, 365M-ST)



1913 LIGHT RAIL

## WCP365 X-MACRO Modules (P365 Light Rail)

The following Wilson Combat X-MACRO modules (P365 Light Rail) can be used with any P365 standard slide or XL slide. The XL slides (6.6 in) will protrude past the end of the dust cover. The standard P365 slides (6.0 in) will sit flush with the end of the dust cover.

365MS-SB

365MS-SG

365MS-SGN

365MS-ST

\*\*Same applies with manual safety versions as NOTE 1 previously discussed.

Below are images showing XL and standard slide combinations on the following Wilson Combat X-MACRO modules (P365 Light Rail). P#'s (365MS-SB, 365MS-SG, 365MS-SGN, 365MS-ST)

### **XL Slide (6.6 in)**



**P365 Standard Slide (6.0 in)**



P365 Light Rail

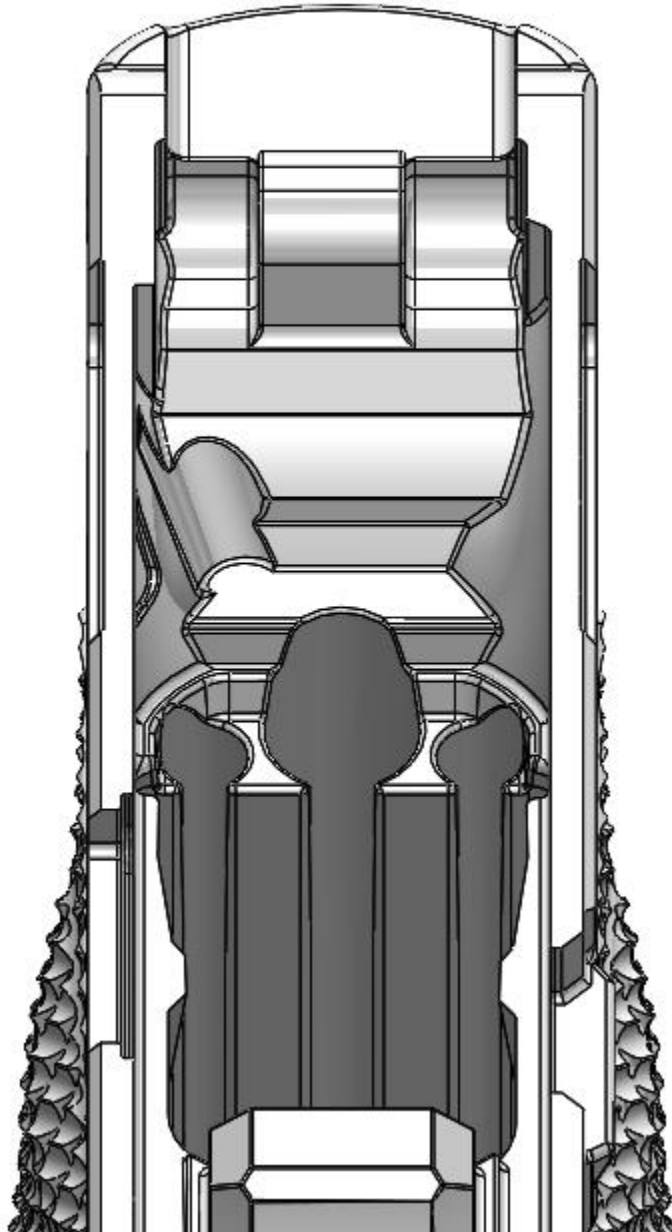
## **WCP365 X-MACRO INSTALLATION INSTRUCTION**

- Unload and clear your pistol.
- Remove the slide assembly and set it aside, Keep your takedown lever in the down position.
- Remove the rear frame pin from left to right with a small punch.
- Lift the chassis straight up from the rear at a forward angle out of the stock frame.
- Install the supplied magazine catch, spring, and lock into the WCP365 X-MACRO grip module.
- Reverse the process to install the chassis into the new grip frame.
- After installation, ensure that the takedown lever is under spring tension and the slide safety lever isn't blocking the slide. Reinstall the slide assembly and move the takedown lever into the locked position. Ensure that the slide lock and takedown lever have spring tension.
- Ensure that your pistol functions properly and your magazine drops cleanly after installation of the new grip frame prior to use.

## Tungsten Weight Installation

The Wilson Combat P365 X-MACRO modules do not come with interchangeable backstraps. Instead, we offer the ability to install our Grip Weight Kit (NW734).

To install, apply dab of heavy grease to prevent any potential rattle. Over time the weights may begin to rattle. In that case, re-apply grease. If you want a permanent solution, glue the rods in place.



## **Light Recommendations**

Recommended Light for the P365 Light Rail X-MACRO modules.

- Streamlight TLR-7 Sub for P365
- Surefire XSC for P365

Recommended Light for the 1913 Light Rail X-MACRO modules.

- Streamlight TLR-7 Sub for 1913
- Surefire XSC-B Universal Rail Handguns
- Sig Sauer Foxtrot 2
- Olight Baldr Mini