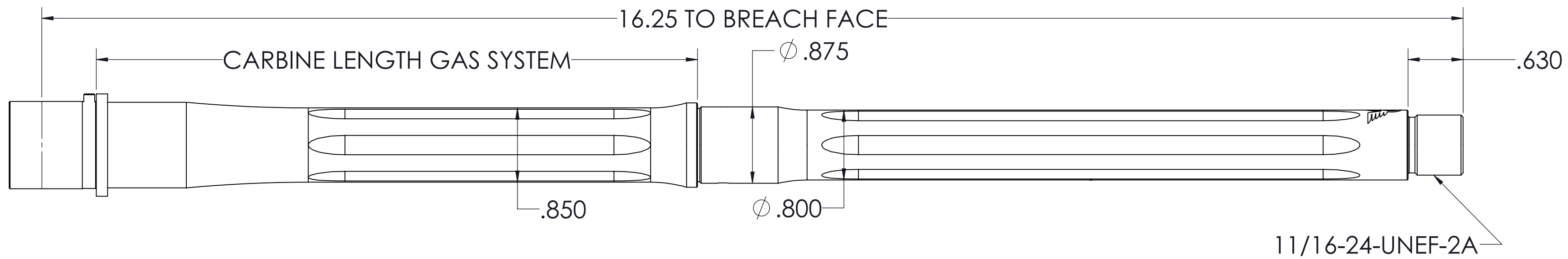


.458 SOCOM RECON CARBINE GAS 16.2" FLUTED THREADED 1-14 TWIST



MATERIAL	STAINLESS STEEL, TYPE 416R
RIFLING	1:14 RH SIX GROOVE
CHAMBER	.458 SOCOM

