



Structural • Consulting • Design

Bored Hole Joist Repair Request Form

Please email the completed request form to the original sender. Once WJM Engineering, Inc. receives the joist request form it will be reviewed to determine if a site visit is required. Report and repair details (if applicable) will typically be issued within (5) business days of receipt of the joist request form and/or site visit date.

Please include the lot specific framing plan with the location of the joist(s) identified and any other information that is relevant to the joist repair.

General Information

Requested By: _____ Title: _____ Date: _____

Division: _____ Community Name: _____ Identifier: _____

Building #: _____ Unit: _____

Address: _____

House Model: _____ Version: _____

House Options: _____

Reverse or Per Plan: _____ Elevation: _____

Joist(s) Information

Joist Identifier: _____ Joist Size: _____ Joist Series (PRI40, IB600 etc.): _____

Dimension from centerline of joist condition (notch, bored hole etc.) to nearest bearing location: _____

Size of notch (LxWxD) and location on joist: _____

or

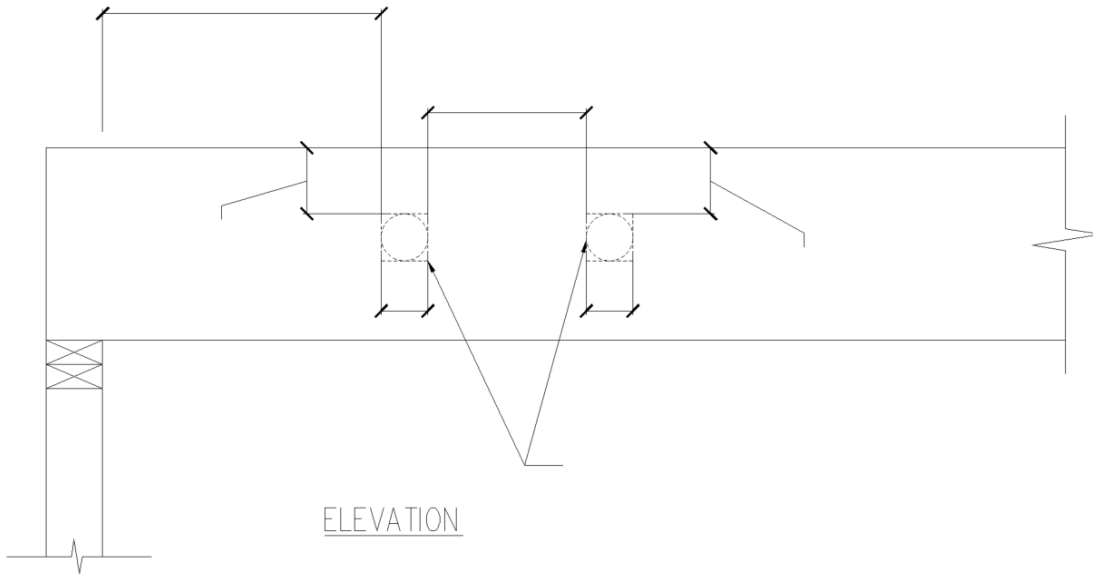
Size of bored hole (diameter) and location on joist: _____

Location of condition (identify on framing plan): _____

Comments: _____

Continue to Page 2 below.

Sketch of joist condition



Additional Remarks: