

SHADE SERIES™ SOUNDBAR INSTALLATION GUIDE



SHD2-43-Soundbar
SHD2-55-Soundbar
SHD2-65-Soundbar
SHD2-75-Soundbar

Soundbar Model Numbers

SHD2-43-Soundbar
SHD2-55-Soundbar
SHD2-65-Soundbar
SHD2-75-Soundbar*

Compatible Séura TVs

Shade Series 2 and Ultra Bright Outdoor TVs

*To mount to TVs larger than 75", utilize the included extended flat brackets instead of the included offset mounting brackets.

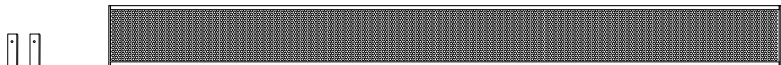


The Séura 50W outdoor soundbar is an amplified soundbar that has been designed to provide best-in-class sound for our TVs. The soundbar uses a 3.5mm input jack dependent on a variable audio input similar to a standard headphone jack. Since there is no independent volume control on the soundbar, the audio output device requires volume control. Devices such as cell phones, MP3 players, etc. that would normally have a connection for headphones would also be capable of connecting to the Séura soundbar. Other audio sources that have fixed audio outputs and would typically be connected to an audio amplifier are not compatible.

Parts Included

Before installing the soundbar, unpack the box and check for completeness of the following contents.

NOTE: Illustrations are not to scale.



(A) Soundbar



(B) Two soundbar mounting brackets (comes packaged attached to the soundbar)



(C) Four Soundbar Screws (comes packaged holding the soundbar mounting brackets to the soundbar)



(D) Two 4-inch strips of VHB tape (optional)



(E) Four VESA Screws



(F) Two wire saddles



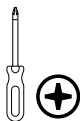
3/16 Allen wrench

Parts not Included



TV mounting brackets (sold separately)

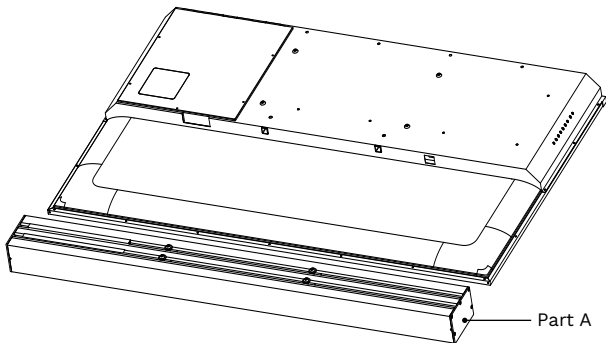
Tool Required



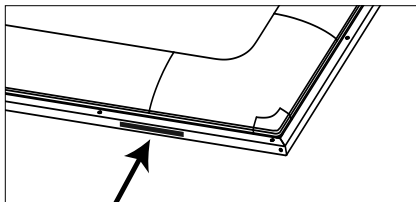
Phillips #2 Screwdriver

Step 1: Prep for Installation

- a. Lay the TV face down on a soft clean surface. Position the soundbar below the TV, aligning the mounting holes. Take caution not to lay the TV on a surface that will scratch or damage the screen. Position the soundbar on the bottom or top of the TV as desired for installation.
- b. Using a 3/16 Allen wrench, remove the four screws (part C) from the two mounting brackets (part B) attached to the soundbar (part A) for shipping. There are two screws per bracket that need to be removed. Set the brackets and screws aside and save for later.

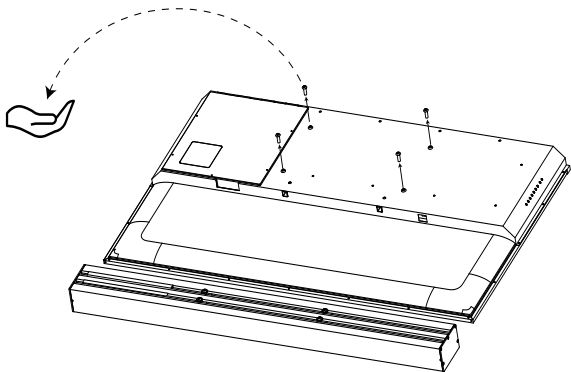


- c. **(Optional)** The Very High Bond (VHB) adhesive strips (part D) provide additional stability between the soundbar and the TV. This bond is permanent and recommended. On both VHB strips, remove the backing from one side and attach the tape to the bottom of the television. Each strip should be placed on the thin bottom edge of the TV and positioned a few inches from the side of the TV.



Note: If mounting the soundbar to the top of the TV, attach the VHB tape to the top of the TV, centered front to back and approximately 4-inches from each side of the TV.

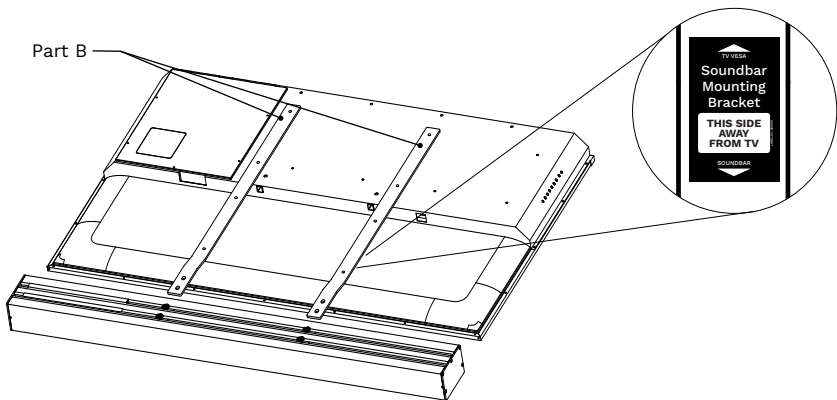
- d. Included in each of the four VESA holes on the back of the TV are factory screws. Use a Phillips #2 screwdriver to remove these screws and save them for a future project. You won't need them for this installation.

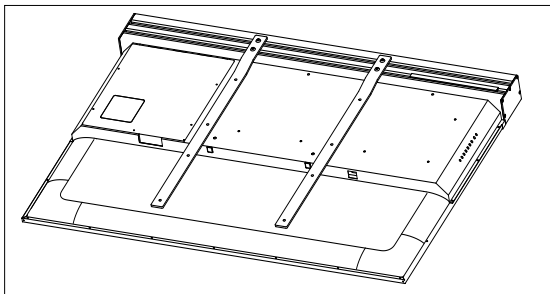


Step 2: Attach the soundbar mounting brackets to the TV

- a. Lay the soundbar mounting brackets (part B) on the back of the TV so the VESA holes on the TV line up with the holes on the soundbar mounting brackets. The soundbar mounting brackets should hang over the edge of the bottom of the TV. Do not attach yet.

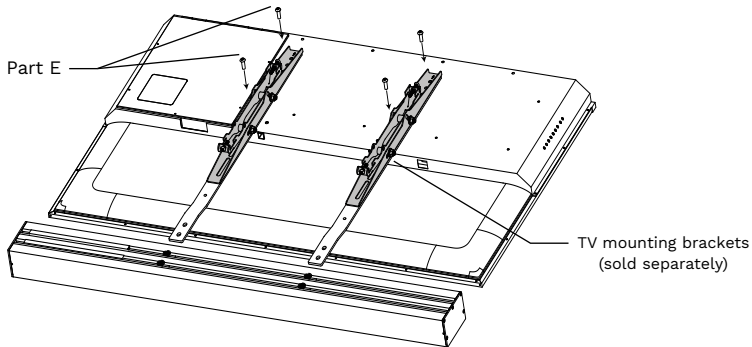
Helpful hint: The VESA holes on the TV are the same holes where the screws were removed from the TV in step 1D. Each soundbar mounting bracket is labeled with one side that says “This Side Away From TV” which is the side that does not touch the TV.





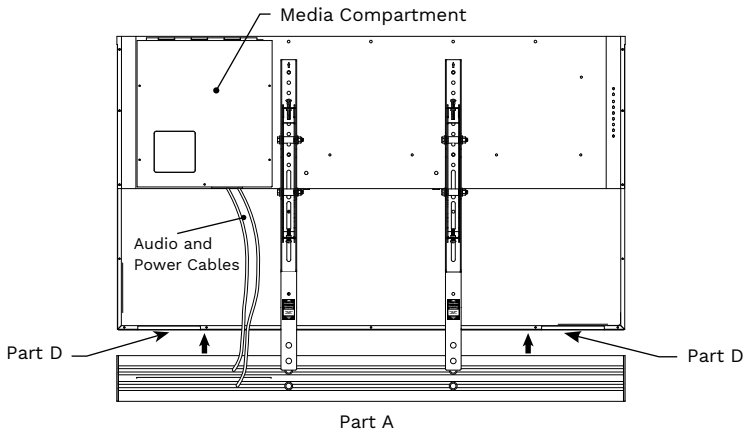
Note: If mounting the soundbar to the top of the TV, the mounting brackets should be reversed so the mounting brackets hang over the edge of the top of the TV.

- b. Place the TV mounting brackets (sold separately) on top of the soundbar mounting brackets (part B). Reference your TV mount installation instructions to ensure proper placement.
- c. Use a Phillips #2 screwdriver and the four provided screws (part E) to screw the TV brackets and soundbar mounting brackets tight to the TV.

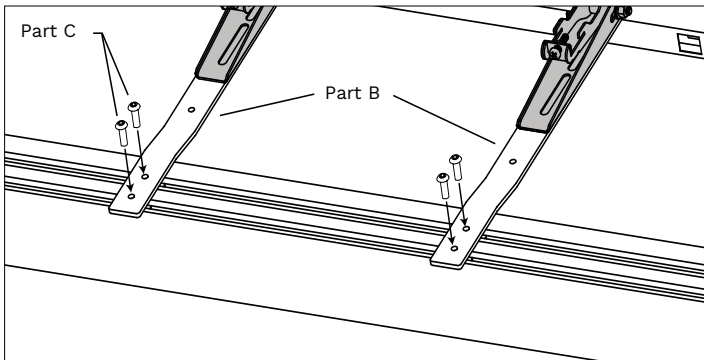


Step 3: Attach the soundbar to the TV

- a. Remove the backing on the VHB tape. Do not firmly adhere the soundbar to the TV until completing all of step 3.
- b. Place the soundbar (part A) underneath the soundbar mounting brackets (part B). The audio cable and power cables coming out of the soundbar should be on the same side of the TV as the media compartment. Adjust the sliding screw receivers in the soundbar mounting channel to line up with the holes on the soundbar mounting brackets.

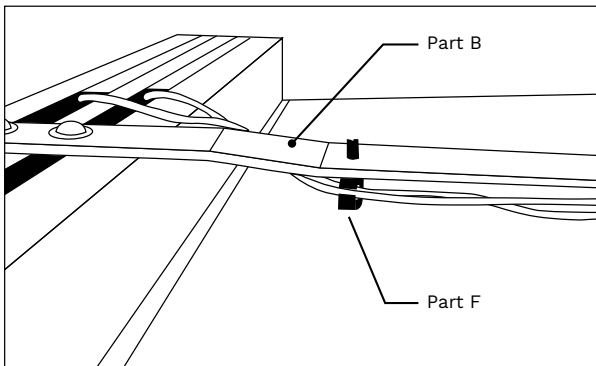


- c. Use the four screws (part C) that you removed in Step 1B and loosely screw the soundbar to the mounting brackets (part B). When installed correctly, the front of the soundbar is flush with the front of the TV.
- d. Firmly apply pressure to the soundbar against the TV edge to fully engage the VHB tape (part D).
- e. Use a 3/16 Allen wrench to fully tighten the four screws (part C) to hold the soundbar to the soundbar mounting brackets (part B).



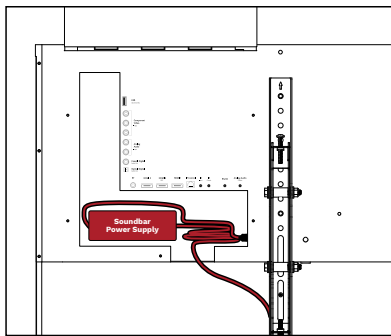
Step 4: Connect the soundbar wires to the AV Compartment on the TV

- a. Install the snap-in wire saddles (part F) to the soundbar mounting brackets (part B) between the bracket and the TV for a concealed appearance.
- b. Run the wires from the soundbar through the wire saddles (part F) along the soundbar mounting brackets. Each wire saddle wraps around the wires.

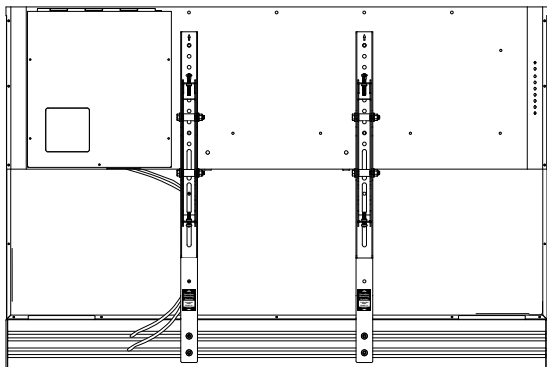


- c. Unscrew the thumb screws on the AV compartment on the back of the TV to open it. Plug the 3.5mm audio cable into the Line Out port. Plug the power cable into the power outlet.

WARNING: The power cable from the soundbar must be connected to the power outlet inside of the TV's weatherproof media compartment. The power cable connection does not have a watertight seal and cannot be connected to an outlet exposed to the outdoors. The power supply (brick) also needs to be stored inside of the weatherproof media compartment so it is not exposed to outdoor elements.



- d. Neatly coil up any excess wires into the AV compartment of the TV. Close the AV compartment lid and tighten the screws.
- e. Congratulations! Your soundbar is now properly installed to your Shade Series Outdoor TV. Proceed to mount the TV.



For technical support, please contact Séura at
1-800-957-3872 during regular business hours:
M-F 8:00 am - 4:30 pm, Central Time.



1230 Ontario Road Green Bay, Wisconsin 54311
1-800-957-3872 contacts@seura.com
www.seura.com