

# OUTDOOR TV TILTING WALL MOUNT INSTALLATION GUIDE

WARRANTY REGISTRATION

**REGISTER FOR  
EXTRA BENEFITS**

Activate within 30 days of purchase:  
[seura.com/activate](https://seura.com/activate)



Model Number:  
TW-5

## Compatible with Séura Outdoor TVs:

Pair with any Séura Outdoor TV 42" – 86" or any other compatible display not surpassing a maximum weight limit of 220 lbs. Compatible with VESA mount patterns up to 600×400.

## Safety

Prior to the installation of this product, read all instructions. Keep this manual for future reference.

This product is designed to mount televisions and any accessories weighing up to 220 lbs. to a vertical firm wall.

**CAUTION DO NOT EXCEED MAXIMUM LISTED WEIGHT CAPACITY. SERIOUS INJURY OR PROPERTY DAMAGE MAY OCCUR.**

### Warnings:

- Safety measures must be practiced at all times during the assembly of this product. Use proper safety equipment and tools for the assembly procedure to prevent personal injury.
- At least two qualified people should perform the assembly procedure. Proper installation must be followed as outlined in these installation instructions. Personal injury and/or property damage can result from dropping or mishandling the TV.
- Ensure that there are no missing or defective parts upon receipt. Never use defective parts.
- This product contains small parts that could be a choking hazard.
- The wall you affix the Séura mount to must be capable of supporting five times the weight of the television and the mount combined. A professional installer or structural engineer should inspect or verify the requirements of the wall.
- Do not use this product for any purpose other than to mount a VESA compliant TV on a vertical surface as outlined in this manual.
- This product should not be mounted on metal stud walls or cinder block walls.
- If drilling and/or cutting into the mounting surface, always make sure that the wall is clear of electrical wires. Cutting or drilling into an electrical line may cause serious personal injury.
- Make sure there are no water or natural gas lines inside the wall where the mount is to be located. Cutting or drilling into a water or gas line may cause severe property damage or personal injury.
- Do not install near sources of high heat.
- Do not install on a structure that is prone to vibration, movement or chance of impact.

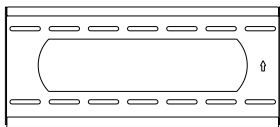
Note: The included hardware is for mounting on concrete, stone, brick, or wood studs . If you are uncertain about the nature of your wall, please consult your hardware or installation professional for proper mounting to types of walls.



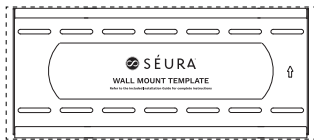
WARNING: Cancer and Reproductive Harm: [www.p65warnings.ca.gov](http://www.p65warnings.ca.gov).

## Parts Included

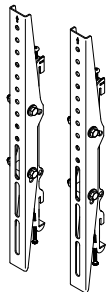
Before using the device, please check the following contents of the box for completeness. Illustrations are not to scale. If any parts are missing or damaged, contact Séura.



Mounting Plate

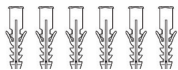


Wall Mounting Template  
(located on inside bottom of box)



(2) Tilt Mount TV  
Brackets

## Mounting Tools and Hardware



(6) Plastic Anchors, 3" long  
For concrete, brick, and  
stone installation only



(6) Stainless Steel Lag  
Screws 5/16", 3" long



(4) Security Torx  
T27 x 1.0 x 16mm  
Screws

Included with some  
mount models



(6) Stainless Steel Flat  
Washers, 5/16"



(4) M6 and (4) M8  
Phillips VESA Screws

Included with some  
mount models



(1) T27 Security Torx  
Screwdriver

Included with some  
mount models



(1) 4mm Allen  
Wrench

Included with  
some mount  
models

## Parts and Tools Required (not included)

The following tools may be required depending on your particular installation. They are not included.



Level



Tape Measure



Pencil



Power Drill



Philips #2  
Screwdriver

(6mm Allen Wrench  
for use with 86"  
Ultra Bright TV size)

### For Wood Stud Installation



Stud Sensor  
(edge-to-edge stud finder is recommended)



7/32" Drill Bit

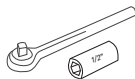
### For Concrete, Brick and Stone Installation



7/16" Masonry Drill Bit



Hammer

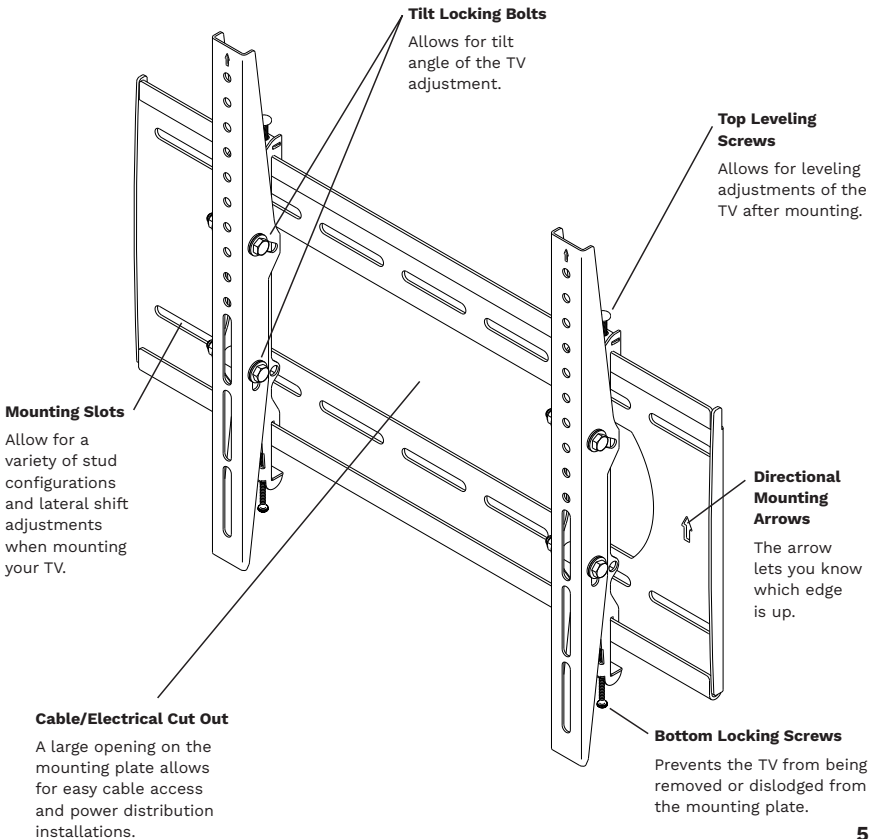


Socket Wrench  
1/2" Socket



1/2" Combination  
Wrench

## Features





**IMPORTANT:** HANDLE THE TV IN A VERTICAL POSITION TO AVOID DAMAGE TO THE SCREEN. IF PLACING THE TV SCREEN-SIDE DOWN OR LEANING AGAINST A WALL DURING INSTALLATION, COVER THE SCREEN WITH A PROTECTIVE CLOTH OR BLANKET.

## Installation

**IMPORTANT:** THIS PRODUCT MUST BE MOUNTED TO CONCRETE, STONE, BRICK OR WOOD STUDS. The wall must be able to support five times the weight of the television and the mount combined. A professional installer or structural engineer should inspect or verify the requirements of the wall.

### Step 1: Hang the Mounting Plate

#### Wood stud wall mounting:

See page 8 for mounting to concrete, stone or brick

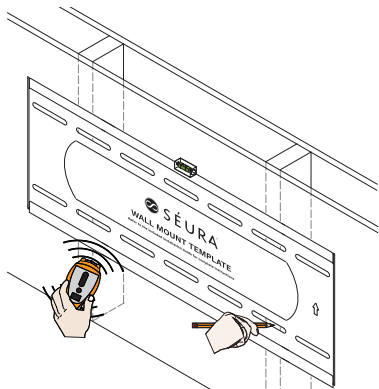
#### 1. Choose mounting location

If mounting a Séura Outdoor TV, reference **page 14** for measurements from the edges of the TV to the edges of the mounting template to properly place the template in the desired location on the wall. Note that it is NOT vertically centered on the TV screen.

#### 2. Locate studs and mark the wall

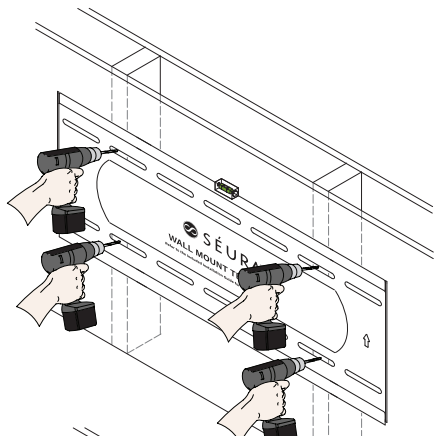
All hole locations must be centered on wood studs. Verify the center of the studs using an edge-to-edge stud finder. Level the template on the wall and mark four hole locations in the template slots (2 top and 2 bottom) with a pencil on the wall.

For TV sizes 65" and larger, mark and utilize six fasteners instead of four.



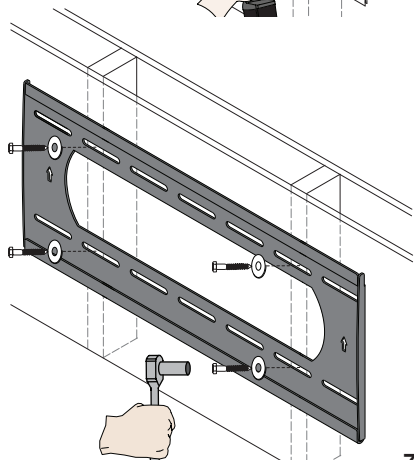
### 3. Drill pilot holes

Pre-drill the four marked holes on the wall 3-inches deep with a 7/32" drill bit.



### 4. Attach mounting plate

Make sure the arrows on the mounting plate point up. Align the mounting plate with the pre-drilled holes. Attach mounting plate to wall using the four lag screws and four flat washers. Do not over tighten the lag screws. Tighten the lag screws only until the washers are pulled firmly against the mounting plate.



## Concrete, stone or brick wall mounting:

See page 6 for mounting to a wood stud wall

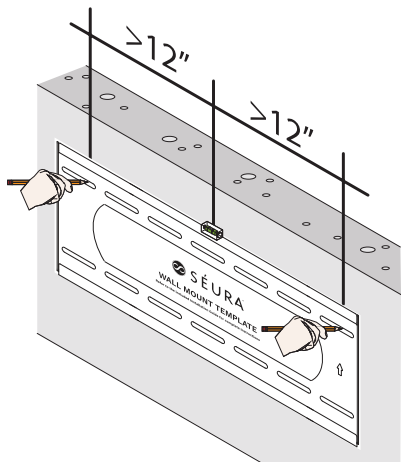
### 1. Choose mounting location

If mounting a Séura Outdoor TV, reference **page 14** for measurements from the edges of the TV to the edges of the mounting template to properly place the template in the desired location on the wall. Note that it is NOT vertically centered on the TV screen.

### 2. Mark the wall

Level the template on the wall and mark four hole locations in the template slots (2 top and 2 bottom) with a pencil on the wall.

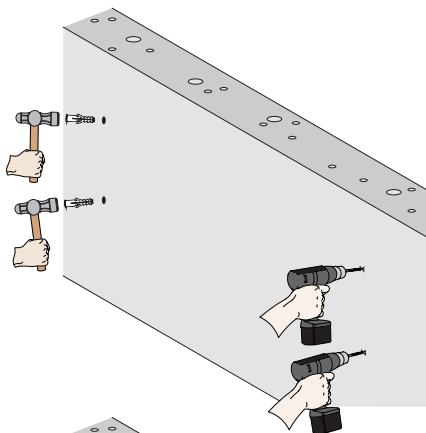
For TV sizes 65" and larger, mark and utilize six fasteners instead of four.





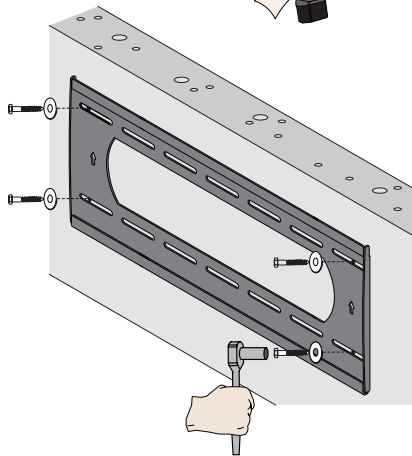
### 3. Drill pilot holes

Pre-drill the four marked holes on the wall 3-inches deep with a 7/16" masonry drill bit. Insert a plastic anchor into each of these holes. If necessary, lightly tap each anchor into place with a hammer.



### 4. Attach mounting plate

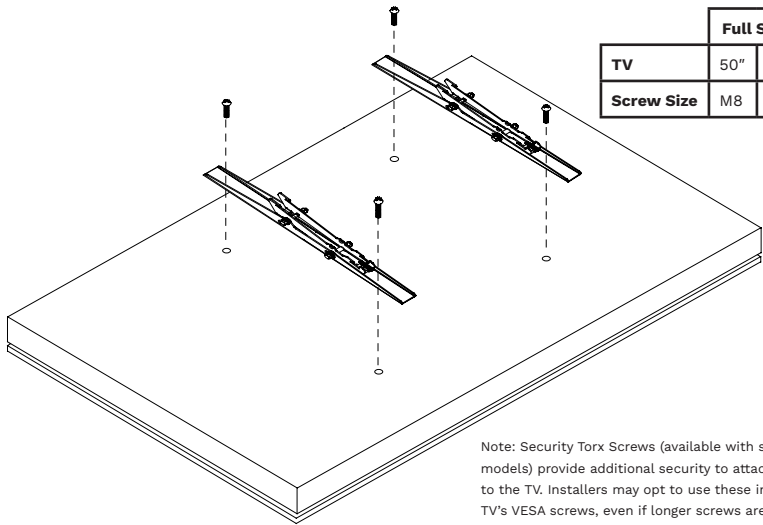
Make sure the arrows on the mounting plate point up. Align the mounting plate with the pre-drilled holes. Attach mounting plate to wall using the four lag screws and four flat washers. Tighten all lag screws using a socket wrench and 1/2" socket. Make sure the anchor is seated completely flush with the concrete surface even if there is another layer of material, such as drywall. Do not over tighten the lag screws. Tighten the lag screws only until the washers are pulled firmly against the mounting plate.



## Step 2: Attach Tilt Mount TV Brackets to TV

**IMPORTANT:** Check your TV manual before attaching mount brackets to TV. Some models require attaching soundbar brackets in tandem with attaching mount brackets.

Using a Philips #2 Screwdriver (or 6 mm Allen Wrench for 86" Ultra Bright TV), remove the four VESA mount screws from the back of the TV. Place the two identical Tilt Mount TV Brackets flat against the back of the TV with the arrows pointed towards the top of the TV. Line the brackets up with the VESA mount fastener locations. If mounting a Séura Outdoor TV, reference page 14 for the bracket hole that should be used on each Tilt Mount TV Bracket. Attach the Tilt Mount TV Brackets to the TV using the same four VESA mount screws that you just removed.



**Note:** If installing with a soundbar or if the TV's VESA screws are not long enough to attach the Tilt Mount TV Brackets, then use the four included Security Torx T27 x 1.0 x 16mm Screws or the four included M6 or M8 Philips VESA screws that are slightly longer than the TV's factory screws.

Shade Series			
TV	55"	65"	75"
Screw Size	M6	M6	M8

Full Sun Series			
TV	50"	65"	85"
Screw Size	M8	M8	M8

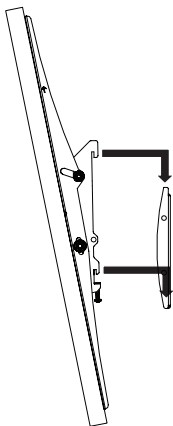
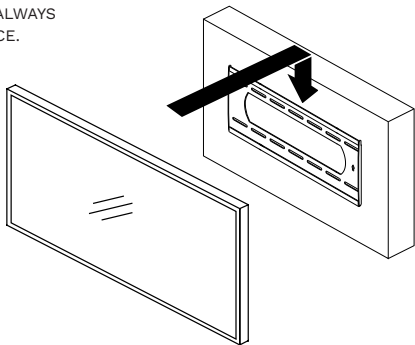
**Note:** Security Torx Screws (available with some mount models) provide additional security to attach the brackets to the TV. Installers may opt to use these in place of the TV's VESA screws, even if longer screws are not needed to accommodate a soundbar bracket or mount brackets.

### Step 3: Hang the TV

IMPORTANT: NEVER TRY TO HANG A TV BY YOURSELF. ALWAYS USE AT LEAST TWO PEOPLE TO LIFT THE TV INTO PLACE.

1. Lift the TV and bring the back of the TV towards the wall, positioning it slightly above the mounting plate.
2. Lower the TV to hook the bottom hooks of the Tilt Mount TV Brackets on the lower rail of the mounting plate.
3. Bring the top of the TV closer to the wall to hook the top hooks of the Tilt Mount TV Brackets on the top rail of the mounting plate.
4. Make sure the bottom and top rails are fully engaged.

Do not let go of the TV until you are certain that the top and bottom hooks of both mounting brackets are securely engaged on the upper and lower mounting rails of the mounting plate.



## Step 4: Adjust the TV



Caution: It is possible to dislodge your TV while you level it. Use extreme caution until you tighten the leveling and locking screws.

Séura recommends checking knobs, screws, and bolts every two to six months. Temperature fluctuations, wind, and normal wear and tear can loosen hardware over time.

### Top leveling screw adjustment:

If your TV is not level, the two (2) top leveling screws located on the top of the tilt mount TV brackets will allow you to compensate for this tilt by adjusting the screws with the provided T27 Security Torx Screwdriver or 4mm Allen wrench.

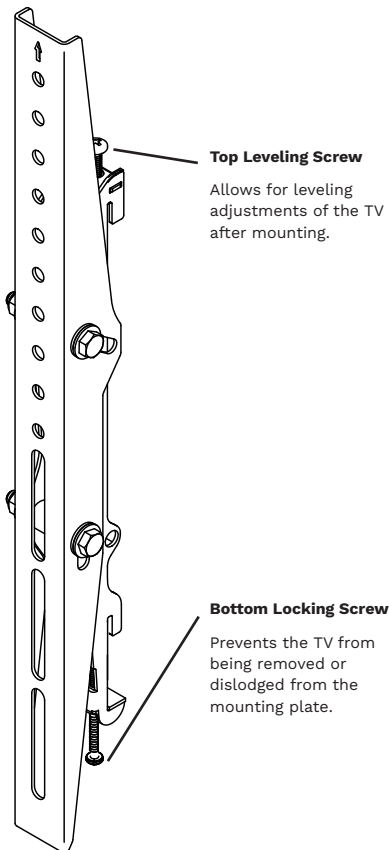
1. Loosen both leveling screws (one on each bracket).
2. Adjust the tilt of your TV.
3. Tighten both leveling screws.

Do not overtighten the leveling screws.

### Bottom locking screw adjustment:

After you have adjusted leveling the TV, tighten the two (2) bottom locking screws located on the bottom of the tilt mount TV brackets (one on each bracket) using the provided T27 Security Torx Screwdriver or 4mm Allen wrench.

Do not overtighten the locking screws.



## Tilt adjustment:

### Adjusting the TV Tilt Angle

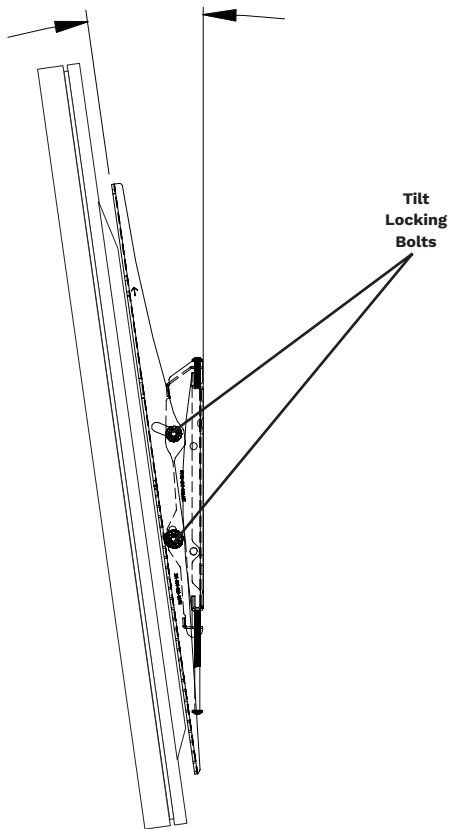
1. Place one hand on the center-top edge of the TV.
2. Place the other hand on the center-bottom edge of the TV.
3. Using the upper hand, gently pull the top of the TV towards you while the lower hand gently pushes the bottom of the TV away from you.

### Adjusting the TV to the Original Position

1. Place one hand on the center-top edge of the TV.
2. Place the other hand on the center-bottom edge of the TV.
3. Using the upper hand, gently push the top of the TV towards the wall while the lower hand gently pulls the bottom of the TV away from the wall.

After tilt is adjusted to the desired position, tighten the (2) tilt locking bolts on each bracket until the brackets are firmly secured.

Do not overtighten the tilt locking bolts.



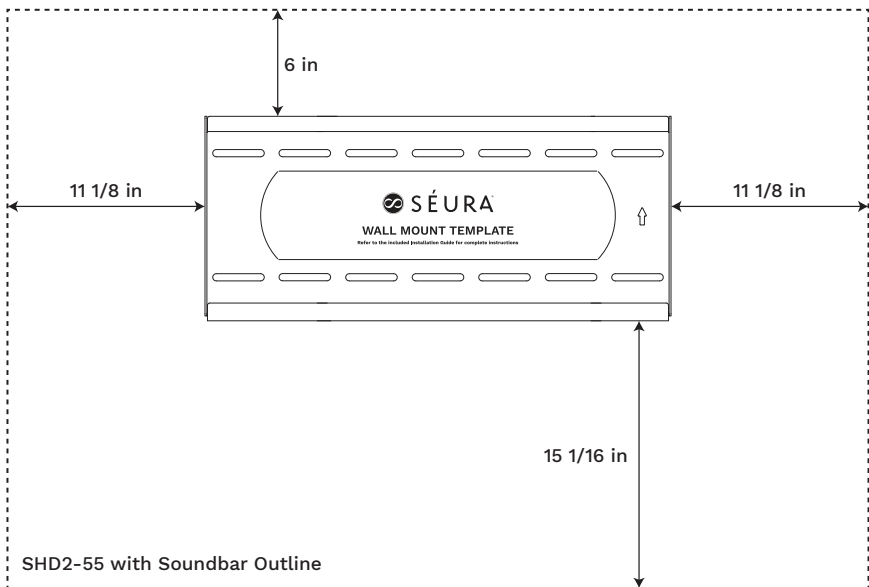
## Séura Outdoor TV Mounting Measurement Guide

If mounting a Séura Outdoor TV model listed in the table below, use the corresponding measurements to locate the mounting plate template in the desired location on the wall as described in Step 1. In addition, use the bracket hole listed to determine which holes on the Tilt Mount TV Brackets to line up with the VESA holes on the TV as described in Step 2.

Séura Outdoor TV Model	Distance From Edges of TV to Edges of Mounting Template (use to place template on back of TV in Step 1)				Top Tilt Mount TV Bracket Hole (line up with VESA hole on back of TV in Step 2)
	Top of TV to Top of Mounting Template	Bottom of TV to Bottom of Mounting Template	Left Edge of TV to Left Edge of Mounting Template	Right Edge of TV to Right Edge of Mounting Template	
UB4-50	7 13/16 in	6 15/16 in	9 7/16 in	9 7/16 in	Second hole down from top
UB4-65	11 1/2 in	10 5/8 in	15 15/16 in	15 15/16 in	Second hole down from top
UB4-85	16 1/2 in	15 5/8 in	24 3/4 in	24 3/4 in	Second hole down from top
SHD2-43 with Soundbar	5 9/16 in	9 9/16 in	5 13/16 in	5 13/16 in	Top hole
SHD2-55 with Soundbar	6 in	15 1/16 in	11 1/8 in	11 1/8 in	Second hole down from top
SHD2-65 with Soundbar	6 3/16 in	19 3/4 in	20 9/16 in	20 9/16 in	Second hole down from top
SHD2-75 with Soundbar	8 7/8 in	21 7/8 in	19 3/4 in	19 3/4 in	Second hole down from top
STM3-49U	7 3/4 in	6 7/8 in	9 3/16 in	9 3/16 in	Second hole down from top
STM3-55U	9 1/4 in	8 3/8 in	11 7/8 in	11 7/8 in	Second hole down from top
STM3-65U	11 11/16 in	10 13/16 in	16 3/16 in	16 3/16 in	Second hole down from top
STM3-86U	16 7/8 in	16 in	25 3/8 in	25 3/8 in	Second hole down from top
SHD1-55 with Soundbar	8 7/8 in	12 5/8 in	11 5/16 in	11 5/16 in	Second hole down from top
SHD1-65 with Soundbar	9 15/16 in	16 5/8 in	15 11/16 in	15 11/16 in	Second hole down from top
SHD1-75 with Soundbar	21 1/8 in	10 5/8 in	20 1/4 in	20 1/4 in	Second hole down from top

## Example Wall Location

Shown for SHD2-55 with Soundbar



## Specifications

### TILTING WALL MOUNT

Model: TW-5

GENERAL	DISPLAY COMPATIBILITY	42" - 86" Séura Outdoor TVs
	VESA COMPATIBILITY	Compatible with VESA mount patterns up to 600×400
	MOUNTING PLATE DIMENSIONS	26.25" w x 11.4" h
	TILT	+0° / - 7° to - 10°
	FINISH COLOR	Black Powder Coat
	DURABILITY	Acrylic E-Coated Steel
INSTALLATION	MAXIMUM WEIGHT LIMIT	220 lbs
	INSTALLATION SURFACE	Solid / Brick / Stone / Masonry / Stud Wall
	HARDWARE	Stainless Steel
SHIPPING	SHIPPING CONTAINER DIMS	27.75" w x 12" l x 2.5" h
	SHIPPING WEIGHT	14 lbs
	PRODUCT WEIGHT	12 lbs

## Maximum Weight Limit: 220 lbs.

The wall structure must be capable of supporting at least five times the weight of the television and the mount combined. If not, the wall structure must be reinforced.





## LIMITED PRODUCT WARRANTY

For information regarding Séura's warranty policy, please visit our website: [www.seura.com/warranty](http://www.seura.com/warranty). If the current Séura warranty policy is after your product purchase date, please contact Séura Customer Support to request warranty documentation from the date of your purchase.

For additional customer support, please contact Séura.

Toll Free: 1-800-957-3872 (Monday - Friday 8:00 am - 4:30 pm, Central Time)

Website: [www.seura.com/support](http://www.seura.com/support)



1230 Ontario Road Green Bay, Wisconsin 54311  
1-800-957-3872 [contacts@seura.com](mailto:contacts@seura.com)  
[www.seura.com](http://www.seura.com)