

WARRANTY REGISTRATION

**REGISTER FOR
EXTRA BENEFITS**

Activate within 30 days of purchase:
seura.com/activate

OUTDOOR TV CEILING MOUNT INSTALLATION GUIDE



Model Numbers:
SC-1
LC-1

Compatible with Séura Outdoor TVs:

Pair with any Séura Outdoor TV 42" – 86" or any other compatible display not surpassing a maximum weight limit of 220 lbs. Compatible with VESA mount patterns up to 600×400.

Safety

Prior to the installation of this product, read all instructions. Keep this manual for future reference.

This product is designed to mount televisions and any accessories weighing up to 220 lbs. to a properly rated ceiling structure.

CAUTION DO NOT EXCEED MAXIMUM LISTED WEIGHT CAPACITY. SERIOUS INJURY OR PROPERTY DAMAGE MAY OCCUR.

Warnings:

- Safety measures must be practiced at all times during the assembly of this product. Use proper safety equipment and tools for the assembly procedure to prevent personal injury.
- At least two qualified people should perform the assembly procedure. Proper installation must be followed as outlined in these installation instructions. Personal injury and/or property damage can result from dropping or mishandling the TV.
- Ensure that there are no missing or defective parts upon receipt. Never use defective parts.
- This product contains small parts that could be a choking hazard.
- The ceiling you affix the Séura mount to must be capable of supporting five times the weight of the television and the mount combined. A professional installer or structural engineer should inspect or verify the requirements.
- Do not use this product for any purpose other than to mount a VESA compliant TV on a vertical surface as outlined in this manual.
- When mounting to metal structures or concrete ceilings, an alternative anchor (not included) should be used.
- Always inspect mounting location for electrical wires, water, and natural gas lines prior to installation. Cutting or drilling into these utility lines may cause serious personal injury or property damage.
- Do not install near sources of high heat.
- Do not install on a structure that is prone to vibration, movement or chance of impact.

Note: The included hardware is for mounting to vertical concrete surfaces or wood trusses and ceiling structures. If you are uncertain about the nature of your structure, please consult your hardware or installation professional for proper mounting to types of structures.



WARNING: Cancer and Reproductive Harm: www.p65warnings.ca.gov.

Parts and Tools Required (not included)

The following tools may be required depending on your particular installation. They are not included.



Level



Tape Measure



Pencil



Power Drill



Philips #2
Screwdriver

(6mm Allen Wrench
for use with 86"
Ultra Bright TV size)

For Wood Truss Installation

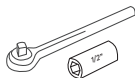


Stud Sensor
(edge-to-edge stud
finder is recommended)



7/32" Drill Bit

For Concrete, Brick and Stone Installation



Socket Wrench
1/2" Socket



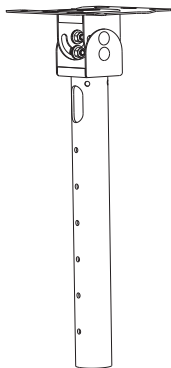
1/2" Combination
Wrench



7/16" Masonry Drill Bit

Parts Included

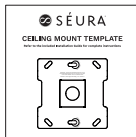
Before using the device, please check the following contents of the box for completeness. Illustrations are not to scale. If any parts are missing or damaged, contact Séura.



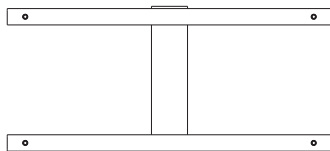
Ceiling Bracket



Ceiling Bracket
Extension
(length varies by model)



Mounting Template
(located on inside bottom of box)



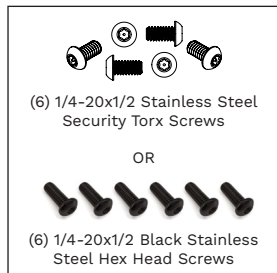
Mounting Plate Rails



(4) 5/16"
Stainless Steel
Flat Washers



(2) 1/4-20 Knobs

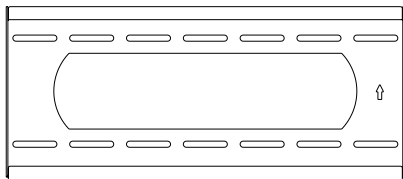


(6) 1/4-20x1/2 Stainless Steel
Security Torx Screws

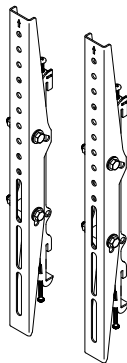
OR

(6) 1/4-20x1/2 Black Stainless
Steel Hex Head Screws

Parts Included, Packaged as TW-5

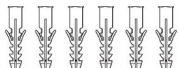


Mounting Plate



(2) Tilt Mount TV
Brackets

Mounting Tools and Hardware



(6) Plastic Anchors, 3" long
For concrete, brick, and
stone installation only



(6) Stainless Steel Lag
Screws 5/16", 3" long



(4) Security Torx
T27 x 1.0 x 16mm
Screws

Included with some
mount models



(6) Stainless Steel Flat
Washers, 5/16"



(4) M6 and (4) M8
Phillips VESA Screws

Included with some
mount models



(1) T27 Security Torx
Screwdriver

Included with some
mount models



(1) 4mm Allen
Wrench

Included with
some mount
models

Features

Ceiling Mounting Plate

A template with the mounting hole pattern is included to aid installation.

Top Leveling Screws

Allows for leveling adjustments of the TV after mounting.

Bottom Locking Screws

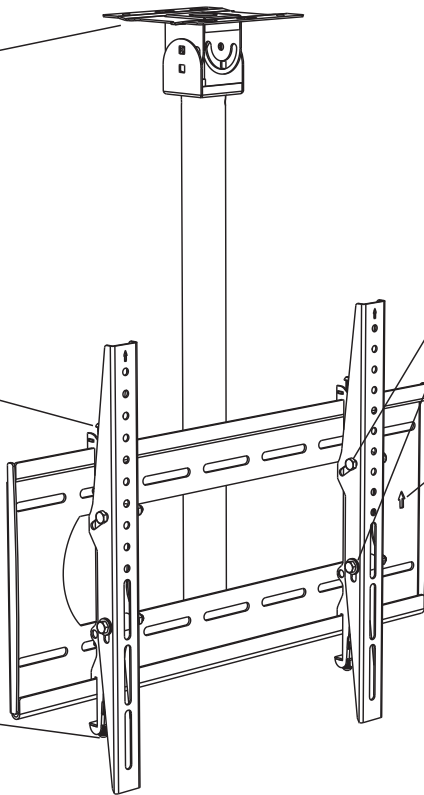
Prevents the TV from being removed or dislodged from the mounting plate.

Tilt Locking Bolts

Allows for tilt angle of the TV adjustment.

Directional Mounting Arrows

The arrow lets you know which edge is up.



Cable Pass Through

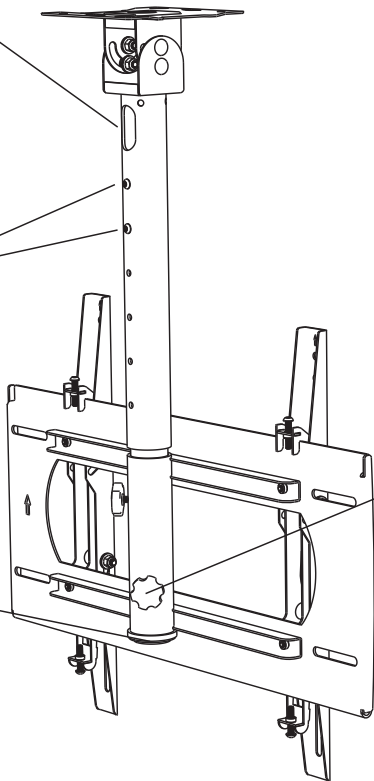
Run power and content cables through the back of the pole or into the ceiling. The power cord included with Séura's Full Sun Series 85-inch Outdoor TV (model UB4-85) does not fit inside of the mount pole. The cord must run alongside the pole and will not be neatly tucked away inside.

Height Adjustment

Use both included screws to set the desired height.

Cable Pass Through

Run power and content cables through the pole and connect to the TV inputs. The power cord included with Séura's Full Sun Series 85-inch Outdoor TV (model UB4-85) does not fit inside of the mount pole. The cord must run alongside the pole and will not be neatly tucked away inside.



Swivel Adjustment

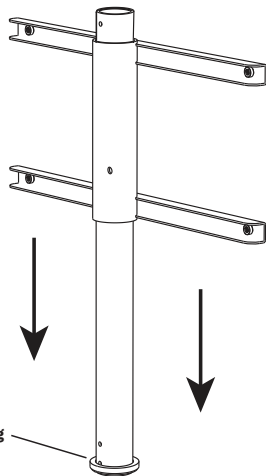
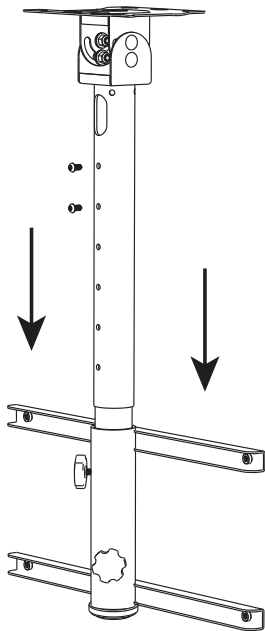
Loosening both knobs allows adjustment of the swivel +/- 360°. Always retighten as TV may swivel in the wind. Do not continue to spin beyond 360° because cords become wrapped and could disconnect from the connections.

Step 1: Assemble and Prepare Mount

1. Assemble ceiling mount

Ensure the plastic ring is on the Ceiling Bracket Extension. Slide the Mounting Plate Rails onto the Ceiling Bracket Extension.

Note: The Mounting Plate Rails is a symmetrical part, so orientation does not matter.



2. Attach the Ceiling Bracket

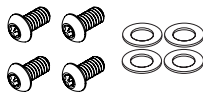
Slide the Ceiling Bracket Extension into the Ceiling Bracket. Using two of the included 1/4-20x1/2 security torx screws or two of the included 1/4-20x1/2 black stainless steel hex head screws, tighten the extension onto the desired height. Attach two knobs and install into the plate mount rails.



To adjust the swivel angle of the TV, loosen the two thumb screws on the back of the ceiling mount. Adjust to the desired angle. Tighten both screws.

3. Attach mounting plate to ceiling mount

Using four of the included 1/4-20x1/2 security torx screws or four of the included 1/4-20x1/2 black stainless steel hex head screws, attach the mounting plate to the ceiling mount rails as shown.



(4) 1/4-20x1/2 Stainless Steel Security Torx Screws

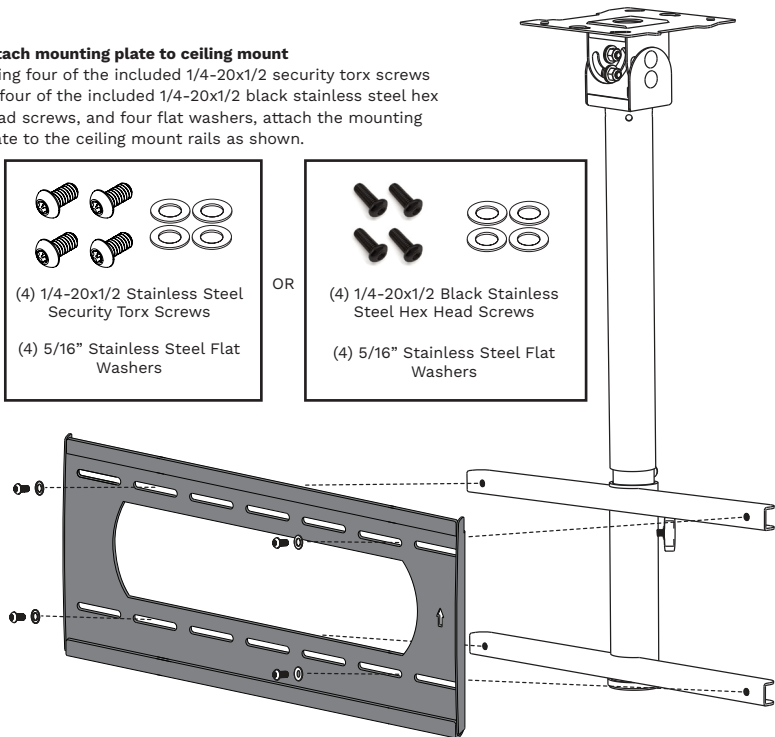
(4) 5/16" Stainless Steel Flat Washers

OR



(4) 1/4-20x1/2 Black Stainless Steel Hex Head Screws

(4) 5/16" Stainless Steel Flat Washers





IMPORTANT: HANDLE THE TV IN A VERTICAL POSITION TO AVOID DAMAGE TO THE SCREEN. IF PLACING THE TV SCREEN-SIDE DOWN OR LEANING AGAINST A WALL DURING INSTALLATION, COVER THE SCREEN WITH A PROTECTIVE CLOTH OR BLANKET.

Installation

IMPORTANT: THIS PRODUCT MUST BE MOUNTED TO A PROPERLY RATED CEILING STRUCTURE. The structure must be able to support five times the weight of the television and the mount combined. A professional installer or structural engineer should inspect or verify the requirements of the structure.

Step 2: Mount Ceiling Plate to Ceiling

1. Choose mounting location

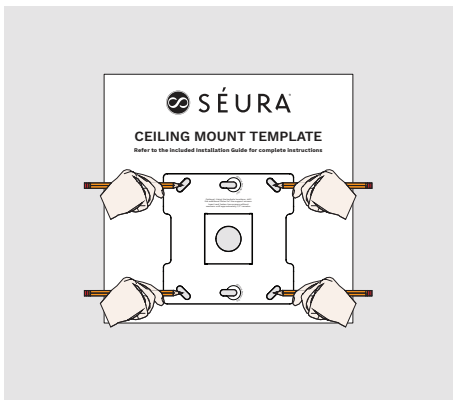
Place the template in the desired location on the ceiling.

Wood Joist/Truss Mounting:

At least four hole locations must be fastened to joists/trusses or an appropriately stabilized structure. Verify the center of the wood beam using an edge-to-edge stud finder. Mark all hole locations in the template slots with a pencil on the ceiling.

Concrete, Stone or Brick:

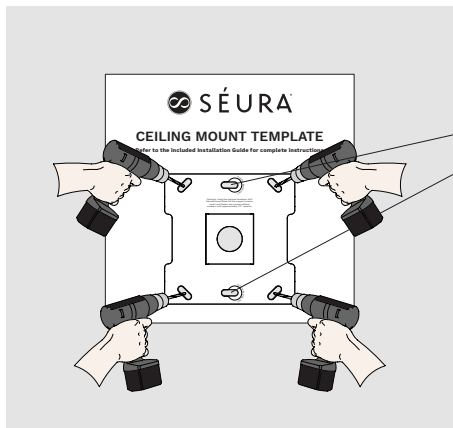
All six hole locations must be fastened. Mark all hole locations in the template slots with a pencil on the ceiling.



2. Drill pilot holes

Wood Joist/Truss Mounting:

Pre-drill the four marked holes 3-inches deep with a 7/32" drill bit.



Optional for Wood Joist/Truss Mounting: Using the keyhole locations, drill the additional holes for the support screws. Insert and fasten two 5/16", 3" long lag screws without washers until approximately 1/2" remains.

Concrete:

Pre-drill the six marked holes 3-inches deep with a 7/16" masonry drill bit. Insert a plastic anchor into each of these holes. If necessary, lightly tap each anchor into place with a hammer.

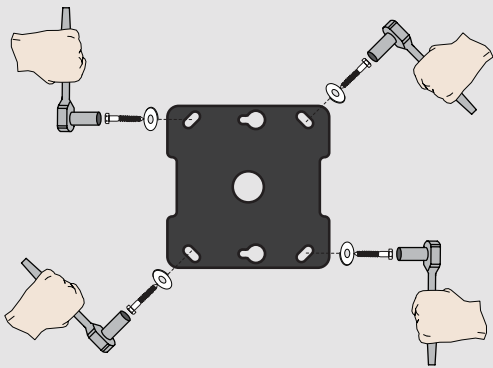
3. Attach ceiling mounting plate

Align the mounting plate with the pre-drilled holes. Ensure that the cable pass through holes on the mount are positioned appropriately.

Align the bracket with the screw keyed slots and turn to hold in place. Finish tightening all 5/16", 3" long lag screws with flat washers until they are snug with the mounting surface. Do not over tighten the lag screws. Tighten the lag screws only until the washers are pulled firmly against the bracket.

Align the bracket with the pre-drilled holes. Attach bracket to the ceiling using the six 5/16", 3" long lag screws and six flat washers. Tighten all lag

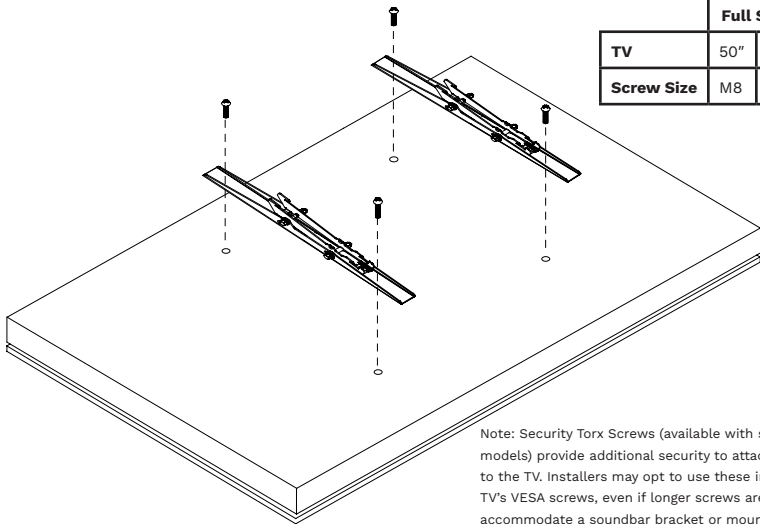
screws using a socket wrench and 1/2" socket. Make sure the anchor is seated completely flush with the concrete surface even if there is another layer of material, such as drywall. Do not over tighten the lag screws. Tighten the lag screws only until the washers are pulled firmly against the bracket.



Step 3: Attach Tilt Mount TV Brackets to TV

IMPORTANT: Check your TV manual before attaching mount brackets to TV. Some models require attaching soundbar brackets in tandem with attaching mount brackets.

Using a Philips #2 Screwdriver (or 6 mm Allen Wrench for 86" Ultra Bright TV), remove the four VESA mount screws from the back of the TV. Place the two identical Tilt Mount TV Brackets flat against the back of the TV with the arrows pointed towards the top of the TV. Line the brackets up with the VESA mount fastener locations. If mounting a Séura Outdoor TV (49-inch to 86-inch display sizes), use the second hole down from the top on each Tilt Mount TV Bracket. If mounting a Séura Outdoor TV model SHD2-43, then use the top hole on each Tilt Mount TV Bracket. Attach the Tilt Mount TV Brackets to the TV using the same four VESA mount screws that you just removed.



Note: If installing with a soundbar or if the TV's VESA screws are not long enough to attach the Tilt Mount TV Brackets, then use the four included Security Torx T27 x 1.0 x 16mm Screws or the four included M6 or M8 Philips VESA screws that are slightly longer than the TV's factory screws.

Shade Series			
TV	55"	65"	75"
Screw Size	M6	M6	M8

Full Sun Series			
TV	50"	65"	85"
Screw Size	M8	M8	M8

Note: Security Torx Screws (available with some mount models) provide additional security to attach the brackets to the TV. Installers may opt to use these in place of the TV's VESA screws, even if longer screws are not needed to accommodate a soundbar bracket or mount brackets.

Step 4: Hang the TV and Connect Power and Content Cables

IMPORTANT: NEVER TRY TO HANG A TV BY YOURSELF. ALWAYS USE AT LEAST TWO PEOPLE TO LIFT THE TV INTO PLACE.

1. Lift the TV and bring the back of the TV towards the mount, positioning it slightly above the mounting plate.
2. Lower the TV to hook the bottom hooks of the Tilt Mount TV Brackets on the lower rail of the mounting plate.
3. Bring the top of the TV closer to the mount to hook the top hooks of the Tilt Mount TV Brackets on the top rail of the mounting plate.
4. Make sure the bottom and top rails are fully engaged.

Do not let go of the TV until you are certain that the top and bottom hooks of both mounting brackets are securely engaged on the upper and lower mounting rails of the mounting plate.

5. Connect power and make connections to TV inputs. Cords can be routed through the floor stand pole so they are out of sight. The power cord included with Séura's Full Sun Series 85-inch Outdoor TV (model UB4-85) does not fit inside of the mount pole. The cord must run alongside the pole and will not be neatly tucked away inside.

Step 5: Adjust the TV



Caution: It is possible to dislodge your TV while you level it. Use extreme caution until you tighten the leveling and locking screws.

Séura recommends checking knobs, screws, and bolts every two to six months. Temperature fluctuations, wind, and normal wear and tear can loosen hardware over time.

Top leveling screw adjustment:

If your TV is not level, the two (2) top leveling screws located on the top of the tilt mount TV brackets will allow you to compensate for this tilt by adjusting the screws with the provided T27 security torx screwdriver or 4mm Allen wrench.

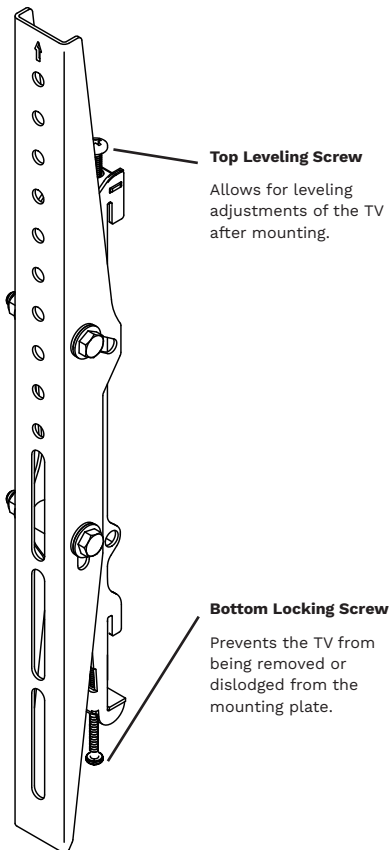
1. Loosen both leveling screws (one on each bracket).
2. Adjust the tilt of your TV.
3. Tighten both leveling screws.

Do not overtighten the leveling screws.

Bottom locking screw adjustment:

After you have adjusted leveling the TV, tighten the two (2) bottom locking screws located on the bottom of the tilt mount TV brackets (one on each bracket) using the provided T27 security torx screwdriver or 4mm Allen wrench.

Do not overtighten the locking screws.



Tilt adjustment:

Adjusting the TV Tilt Angle

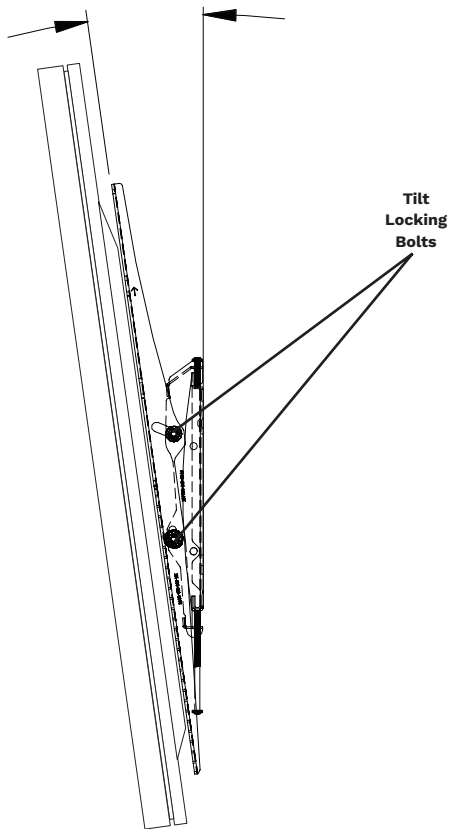
1. Place one hand on the center-top edge of the TV.
2. Place the other hand on the center-bottom edge of the TV.
3. Using the upper hand, gently pull the top of the TV towards you while the lower hand gently pushes the bottom of the TV away from you.

Adjusting the TV to the Original Position

1. Place one hand on the center-top edge of the TV.
2. Place the other hand on the center-bottom edge of the TV.
3. Using the upper hand, gently push the top of the TV towards the back while the lower hand gently pulls the bottom of the TV away from the back.

After tilt is adjusted to the desired position, tighten the (2) tilt locking bolts on each bracket until the brackets are firmly secured.

Do not overtighten the tilt locking bolts.



Specifications

SHORT ARM CEILING MOUNT

Model: SC-1

LONG ARM CEILING MOUNT

Model: LC-1

GENERAL	DISPLAY COMPATIBILITY	42" - 86" Séura Outdoor TVs*	
	VESA COMPATIBILITY	Compatible with VESA mount patterns up to 600x400	
	CUSTOMIZABLE VIEWING	Swivel 360° / - 360° Extend from 28.5" to 36.5" (in 2" increments) from ceiling to lower mounting plate rail	Swivel 360° / - 360° Extend from 43" to 65" (in 2" increments) from ceiling to lower mounting plate rail
	CEILING MOUNT DIMENSIONS	Collapsed: 26.25" w x 6.6 d x 34" h Extended: 26.25" w x 6.6 d x 42" h	Collapsed: 26.25" w x 6.6 d x 48.5" h Extended: 26.25" w x 6.6 d x 70.5" h
	MOUNTING PLATE DIMENSIONS	6.5" w x 6.5" h	
	FINISH COLOR	Black Powder Coat	
	DURABILITY	Acrylic E-Coated Steel	
INSTALLATION	MAXIMUM WEIGHT LIMIT	220 lbs	
	INSTALLATION SURFACE	Wood / Concrete / Steel	
	HARDWARE	Stainless Steel	
SHIPPING	SHIPPING CONTAINER DIMS	19" w x 27" l x 5.25" h	19" w x 36.5" l x 5.25" h
	SHIPPING WEIGHT	30 lbs	36 lbs
	PRODUCT WEIGHT	24 lbs	30 lbs

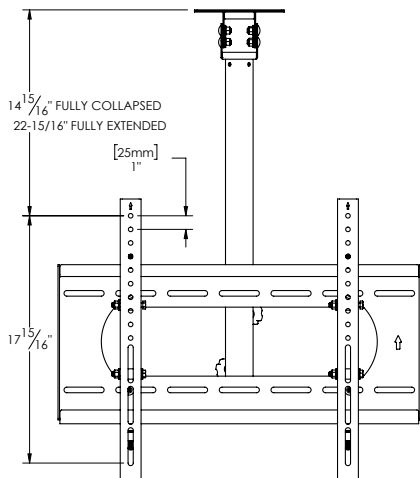
* The power cord included with Séura's Full Sun Series 85-inch Outdoor TV (model UB4-85) does not fit inside of the ceiling mount pole. The cord must run alongside the pole and will not be neatly tucked away.

Maximum Weight Limit: 220 lbs.

The mounting structure must be capable of supporting at least five times the weight of the TV. If not, the structure must be reinforced.

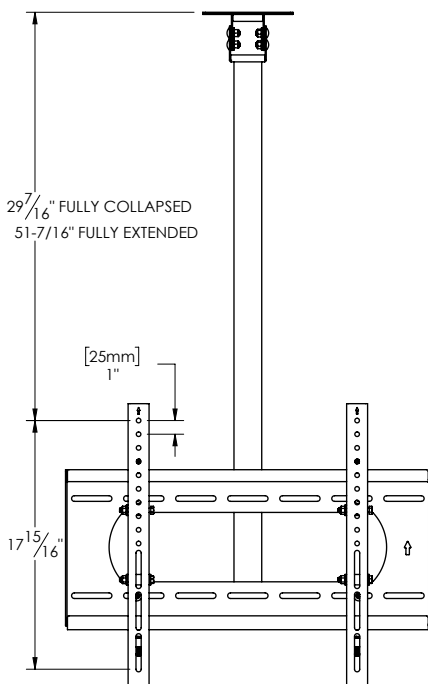
SHORT ARM CEILING MOUNT

Model: SC-1



LONG ARM CEILING MOUNT

Model: LC-1



LIMITED PRODUCT WARRANTY

For information regarding Séura's warranty policy, please visit our website: www.seura.com/warranty. If the current Séura warranty policy is after your product purchase date, please contact Séura Customer Support to request warranty documentation from the date of your purchase.

For additional customer support, please contact Séura.

Toll Free: 1-800-957-3872 (Monday - Friday 8:00 am - 4:30 pm, Central Time)

Website: www.seura.com/support



1230 Ontario Road Green Bay, Wisconsin 54311
1-800-957-3872 contacts@seura.com
www.seura.com