

WARRANTY REGISTRATION

**REGISTER FOR
EXTRA BENEFITS**

Activate within 30 days of purchase:
seura.com/activate

OUTDOOR TV FLOOR STAND INSTALLATION GUIDE



Model Number:
FS-1

Compatible with Séura Outdoor TVs:

Pair with any Séura Outdoor TV 42" – 86" or any other compatible display not surpassing a maximum weight limit of 200 lbs. Compatible with VESA mount patterns up to 600×400. CAUTION: Séura TV model UB4-85 paired with most Séura soundbar models will exceed the maximum weight limit.

Safety

Prior to the installation of this product, read all instructions. Keep this manual for future reference.

This product is designed to mount Seura outdoor televisions and accessories weighing up to 220 lbs. to a concrete pad or engineered wooden structure.

CAUTION DO NOT EXCEED MAXIMUM LISTED WEIGHT CAPACITY. SERIOUS INJURY OR PROPERTY DAMAGE MAY OCCUR.

Warnings:

- Safety measures must be practiced at all times during the assembly of this product. Use proper safety equipment and tools for the assembly procedure to prevent personal injury.
- At least two qualified people should perform the assembly procedure. Proper installation must be followed as outlined in these installation instructions. Personal injury and/or property damage can result from dropping or mishandling the TV.
- Ensure that there are no missing or defective parts upon receipt. Never use defective parts.
- This product contains small parts that could be a choking hazard.
- Any floor surface used to affix the Séura mount must be of adequate thickness and stability to support the included anchors.
- Do not use this product for any purpose other than to mount a VESA compliant TV on a solid level ground as outlined in this manual.
- When mounted to a wood structure, appropriate lag screws must be mounted into the supporting members.
- Make sure there are no water or natural gas lines underground where the stand is to be located. Cutting or drilling into a water or gas line may cause severe property damage or personal injury. Call your local Digger's Hotline prior to digging.
- Do not install near sources of high heat.
- Do not install on a structure that is prone to vibration, movement or chance of impact.

Note: The included hardware is for mounting on concrete or wood joists (wood decking). If you are uncertain about the nature of your surface, please consult your hardware or installation professional for proper mounting.



WARNING: Cancer and Reproductive Harm: www.p65warnings.ca.gov.

Parts and Tools Required (not included)

The following tools may be required depending on your particular installation. They are not included.



Level



Tape Measure



Pencil



Power Drill



Philips #2
Screwdriver

(6mm Allen Wrench
for use with 86"
Ultra Bright TV size)

For Wood Joist Installation



7/32" Drill Bit

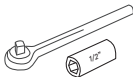


Stud Sensor
(edge-to-edge stud
finder is recommended)

For Concrete, Brick and Stone Installation



5/16" Masonry Drill Bit



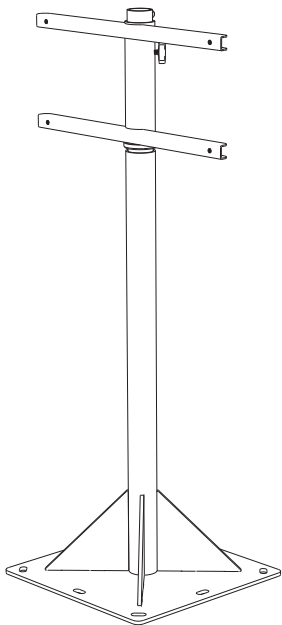
Socket Wrench
1/2" Socket



1/2" Combination
Wrench

Parts Included

Before using the device, please check the following contents of the box for completeness. Illustrations are not to scale. If any parts are missing or damaged, contact Séura.



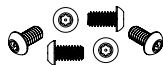
Floor Stand



(4) 3/8" x 3" Stainless Steel Concrete
Large Diameter Tapcon Screws



(4) 5/16"
Stainless Steel
Flat Washers



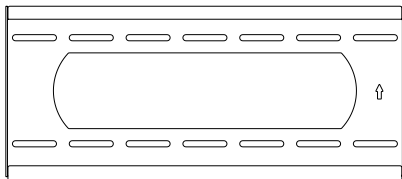
(6) 1/4-20x1/2 Stainless Steel
Security Torx Screws

OR

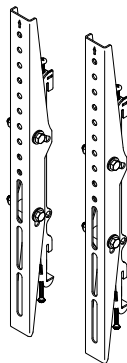


(6) 1/4-20x1/2 Black Stainless
Steel Hex Head Screws

Parts Included, Packaged as TW-5

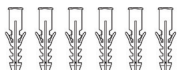


Mounting Plate



(2) Tilt Mount TV
Brackets

Mounting Tools and Hardware



(6) Plastic Anchors, 3" long
For concrete, brick, and
stone installation only



(6) Stainless Steel Lag
Screws 5/16", 3" long



(4) Security Torx
T27 x 1.0 x 16mm
Screws

Included with
some mount
models



(6) Stainless Steel Flat
Washers, 5/16"



(4) M6 and (4) M8
Phillips VESA Screws

Included with some
mount models



(1) T27 Security Torx
Screwdriver

Included with some
mount models



(1) 4mm Allen
Wrench

Included with
some mount
models

Features

Tilt Locking Bolts

Allows for tilt angle of the TV adjustment.

Top Leveling Screws

Allows for leveling adjustments of the TV after mounting.

Directional Mounting Arrows

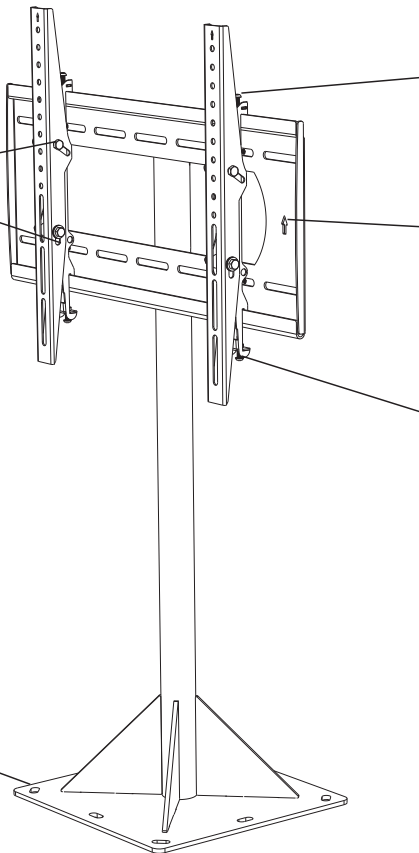
The arrow lets you know which edge is up.

Bottom Locking Screws

Prevents the TV from being removed or dislodged from the mounting plate.

Floor Stand Mounting Plate

Fasten to the floor via 4-6 screws.



Cable Pass Through

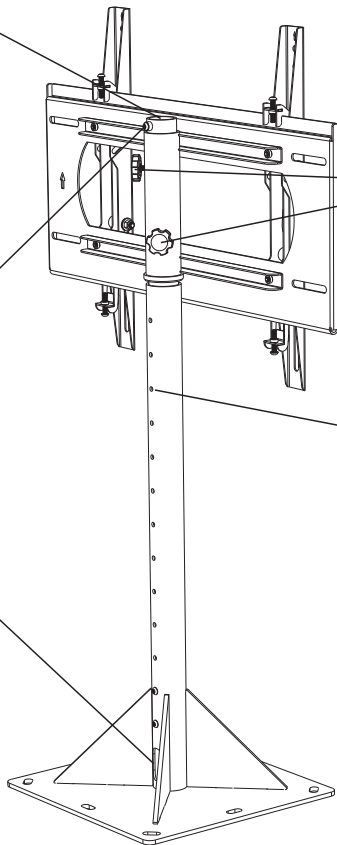
Run power and content cables through the pole and connect to the TV inputs. The power cord included with Séura's Full Sun Series 85-inch Outdoor TV (model UB4-85) does not fit inside of the mount pole. The cord must run alongside the pole and will not be neatly tucked away inside.

Security Locking Screw

Tighten this screw to prevent the swivel plate from being removed.

Cable Pass Through

Run power and content cables through the back of the pole or into the floor. The power cord included with Séura's Full Sun Series 85-inch Outdoor TV (model UB4-85) does not fit inside of the mount pole. The cord must run alongside the pole and will not be neatly tucked away inside.



Swivel Adjustment

Loosening allows adjustment of the swivel +/- 360°. Always retighten as TV may swivel in the wind. Do not continue to spin beyond 360° because cords become wrapped and could disconnect from the connections.

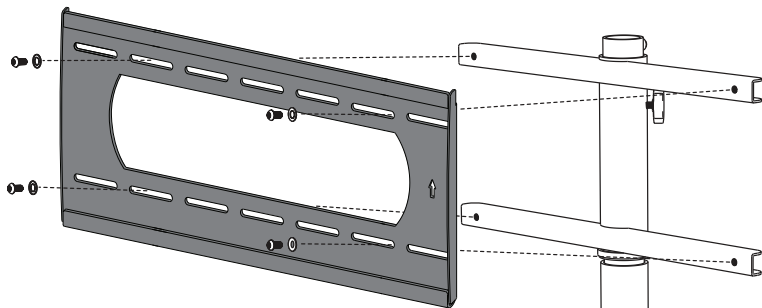
Height Adjustment

Use both included screws to set the desired height.

Step 1: Assemble and Prepare Mount

1. Attach mounting plate to floor stand

Using four of the included 1/4-20x1/2 security torx screws or four of the included 1/4-20x1/2 black stainless steel hex head screws, and four flat washers, attach the mounting plate to the floor stand rails as shown.



(4) 1/4-20x1/2 Stainless Steel Security Torx Screws

(4) 5/16" Stainless Steel Flat Washers

OR

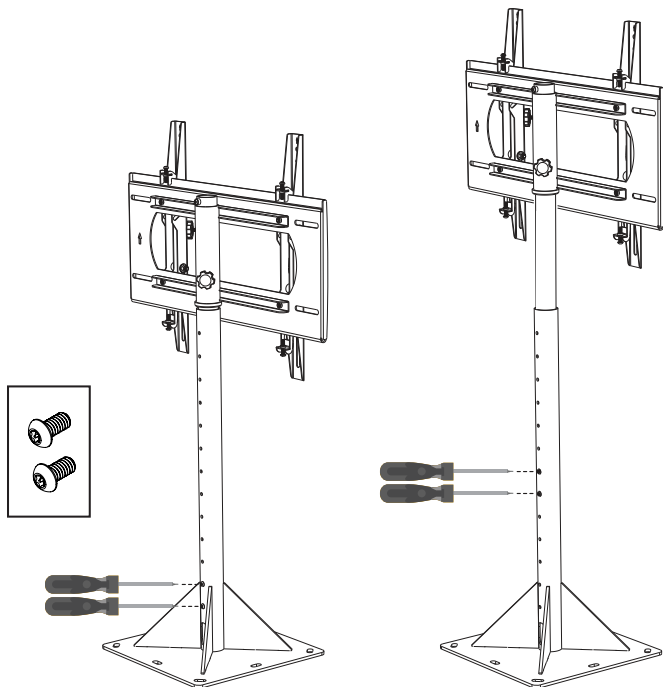


(4) 1/4-20x1/2 Black Stainless Steel Hex Head Screws

(4) 5/16" Stainless Steel Flat Washers

2. Adjust floor stand length/TV height

Loosen the screws with the provided T27 Security Torx Screwdriver or 4mm Allen Wrench. Adjust to the desired height of the stand. Tighten screws.



To adjust the swivel angle of the TV, loosen the two thumb screws on the back of the floor stand. Adjust to the desired angle. Tighten both screws.



IMPORTANT: HANDLE THE TV IN A VERTICAL POSITION TO AVOID DAMAGE TO THE SCREEN. IF PLACING THE TV SCREEN-SIDE DOWN OR LEANING AGAINST A WALL DURING INSTALLATION, COVER THE SCREEN WITH A PROTECTIVE CLOTH OR BLANKET.

Installation

IMPORTANT: This product must be mounted to a uniform sub-structure such as poured concrete at least 4" thick or engineered decking with footings. Patio block, loose deck boards, split concrete or any substrate under 3" thick poses a hazard of falling. Improper installation risks property damage or severe injury. Consult a professional for verification and inspection of the installation structure.

Step 2: Attach Floor Stand Mounting Plate to Floor

1. Choose mounting location

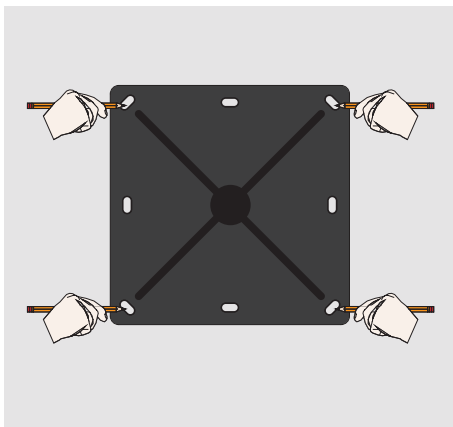
Place the floor stand in the desired location.

Wood Joist Mounting:

At least four lag screws must be fastened to the joists or appropriate structural member. All six screws are recommended. Use a pencil to mark the locations of the screws.

Concrete:

Use the included four concrete large diameter Tapcon screws. Mark all hole locations in the mounting plate slots with a pencil on the floor.



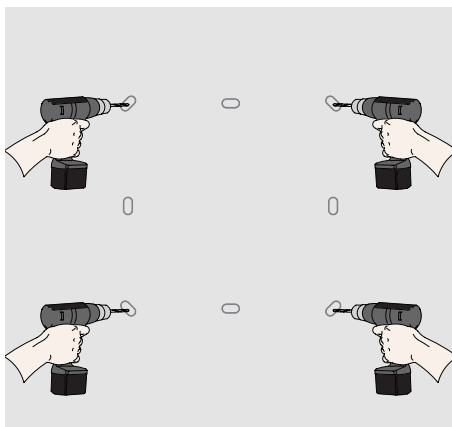
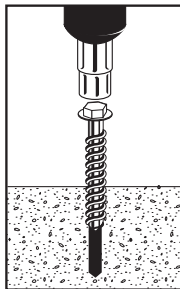
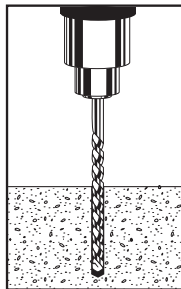
2. Drill pilot holes

Wood Joist Mounting:

Pre-drill the marked holes on the floor 3-inches deep with a 7/32" drill bit.

Concrete:

Pre-drill the four marked holes on the floor at least 4-inches deep with a 5/16" masonry drill bit.

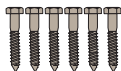


3. Attach floor mounting plate

Align the mounting plate with the pre-drilled holes. Ensure that the cable pass through holes on the mount are positioned appropriately.

Wood Joist Mounting:

Attach mounting plate to the floor using the six lag screws and six flat washers. Do not over tighten the lag screws. Tighten the lag screws only until the washers are pulled firmly against the mounting plate.



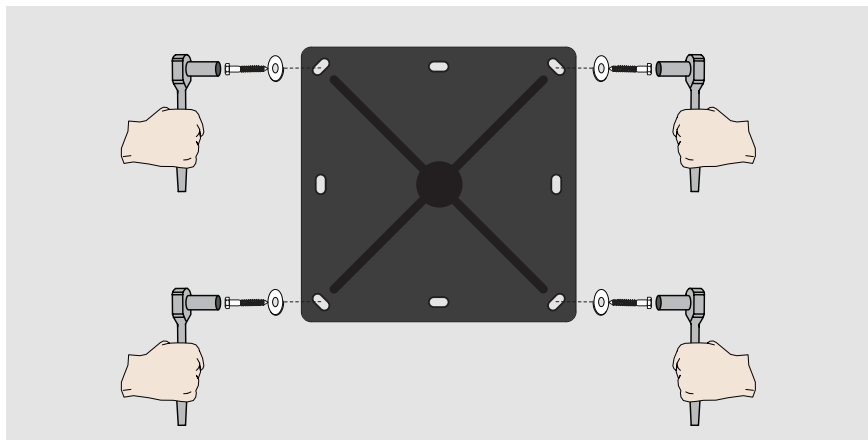
For wood joist installation, use included lag screws.

Concrete:

Make sure the anchor is seated completely flush with the mounting plate even if there is another layer of material such as tiles, flooring, or pavers.



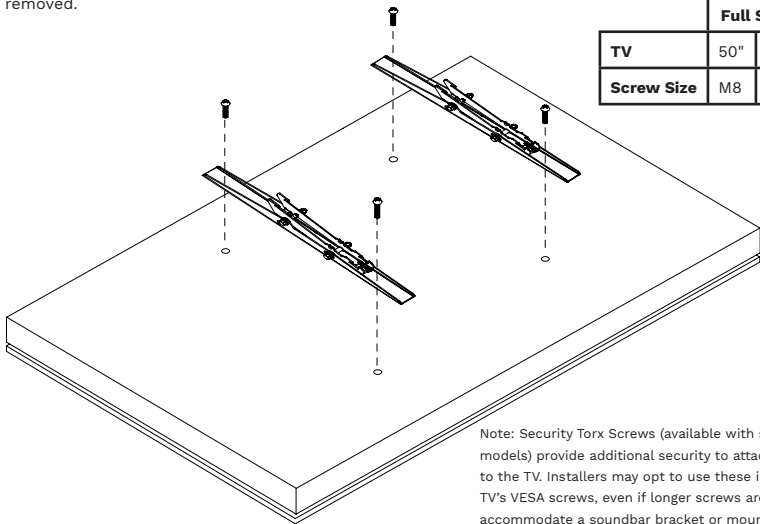
For concrete installation, use included Tapcon type screws.



Step 3: Attach Tilt Mount TV Brackets to TV

IMPORTANT: Check your TV manual before attaching mount brackets to TV. Some models require attaching soundbar brackets in tandem with attaching mount brackets.

Using a Philips #2 Screwdriver (or 6 mm Allen Wrench for 86" Ultra Bright TV), remove the four VESA mount screws from the back of the TV. Place the two identical Tilt Mount TV Brackets flat against the back of the TV with the arrows pointed towards the top of the TV. Line the brackets up with the VESA mount fastener locations. If mounting a Séura Outdoor TV (49-inch to 86-inch display sizes), use the second hole down from the top on each Tilt Mount TV Bracket. If mounting a Séura Outdoor TV model SHD2-43, then use the top hole on each Tilt Mount TV Bracket. Attach the Tilt Mount TV Brackets to the TV using the same four VESA mount screws that you just removed.



Note: If installing with a soundbar or if the TV's VESA screws are not long enough to attach the Tilt Mount TV Brackets, then use the four included Security Torx T27 x 1.0 x 16mm Screws or the four included M6 or M8 Philips VESA screws that are slightly longer than the TV's factory screws.

Shade Series			
TV	55"	65"	75"
Screw Size	M6	M6	M8

Full Sun Series			
TV	50"	65"	85"
Screw Size	M8	M8	M8

Note: Security Torx Screws (available with some mount models) provide additional security to attach the brackets to the TV. Installers may opt to use these in place of the TV's VESA screws, even if longer screws are not needed to accommodate a soundbar bracket or mount brackets.

Step 4: Hang the TV and Connect Power and Content Cables

IMPORTANT: NEVER TRY TO HANG A TV BY YOURSELF. ALWAYS USE AT LEAST TWO PEOPLE TO LIFT THE TV INTO PLACE.

1. Lift the TV and bring the back of the TV towards the mount, positioning it slightly above the mounting plate.
2. Lower the TV to hook the bottom hooks of the Tilt Mount TV Brackets on the lower rail of the mounting plate.
3. Bring the top of the TV closer to the mount to hook the top hooks of the Tilt Mount TV Brackets on the top rail of the mounting plate.
4. Make sure the bottom and top rails are fully engaged.

Do not let go of the TV until you are certain that the top and bottom hooks of both mounting brackets are securely engaged on the upper and lower mounting rails of the mounting plate.

5. Connect power and make connections to TV inputs. Cords can be routed through the floor stand pole so they are out of sight. The power cord included with Séura's Full Sun Series 85-inch Outdoor TV (model UB4-85) does not fit inside of the mount pole. The cord must run alongside the pole and will not be neatly tucked away inside.

Step 5: Adjust the TV



Caution: It is possible to dislodge your TV while you level it. Use extreme caution until you tighten the leveling and locking screws.

Séura recommends checking knobs, screws, and bolts every two to six months. Temperature fluctuations, wind, and normal wear and tear can loosen hardware over time.

Top leveling screw adjustment:

If your TV is not level, the two (2) top leveling screws located on the top of the tilt mount TV brackets will allow you to compensate for this tilt by adjusting the screws with the provided T27 security torx screwdriver or 4mm Allen wrench.

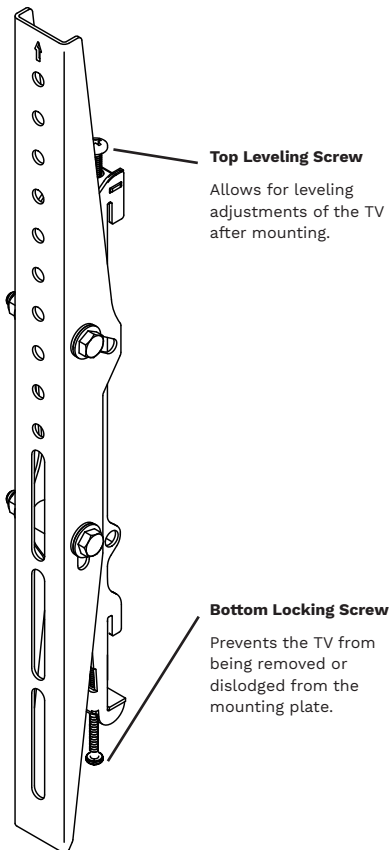
1. Loosen both leveling screws (one on each bracket).
2. Adjust the tilt of your TV.
3. Tighten both leveling screws.

Do not overtighten the leveling screws.

Bottom locking screw adjustment:

After you have adjusted leveling the TV, tighten the two (2) bottom locking screws located on the bottom of the tilt mount TV brackets (one on each bracket) using the provided T27 security torx screwdriver or 4mm Allen wrench.

Do not overtighten the locking screws.



Tilt adjustment:

Adjusting the TV Tilt Angle

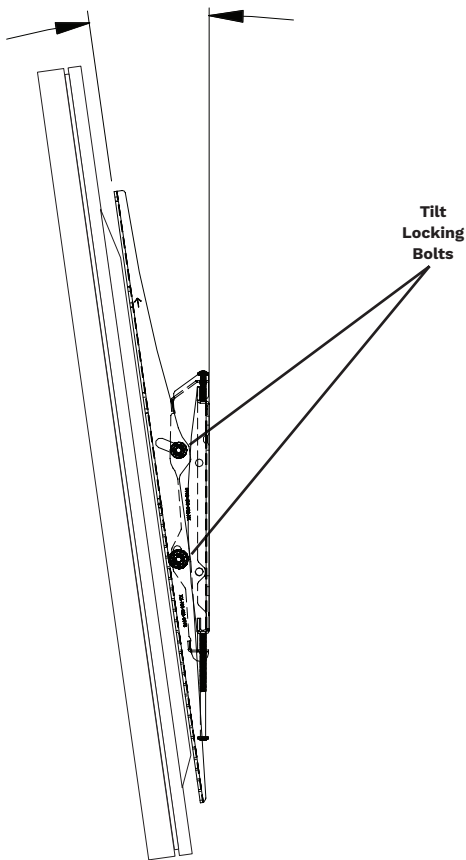
1. Place one hand on the center-top edge of the TV.
2. Place the other hand on the center-bottom edge of the TV.
3. Using the upper hand, gently pull the top of the TV towards you while the lower hand gently pushes the bottom of the TV away from you.

Adjusting the TV to the Original Position

1. Place one hand on the center-top edge of the TV.
2. Place the other hand on the center-bottom edge of the TV.
3. Using the upper hand, gently push the top of the TV towards the wall while the lower hand gently pulls the bottom of the TV away from the wall.

After tilt is adjusted to the desired position, tighten the (2) tilt locking bolts on each bracket until the brackets are firmly secured.

Do not overtighten the tilt locking bolts.



Specifications

FLOOR STAND

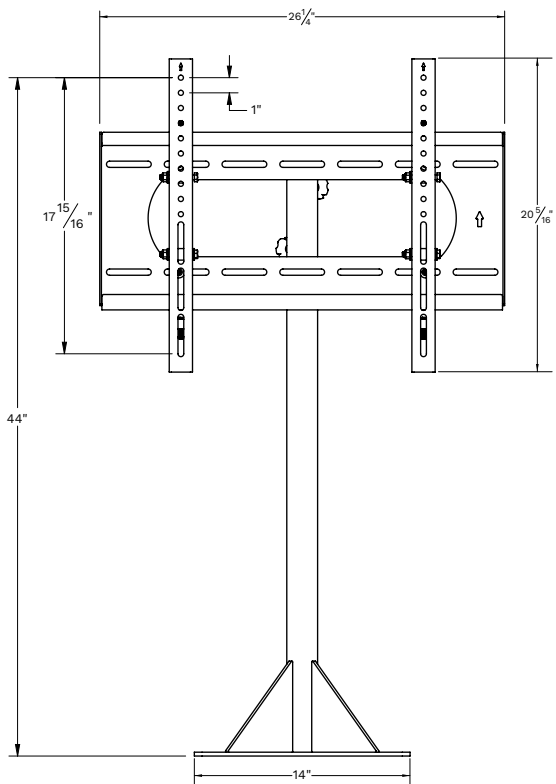
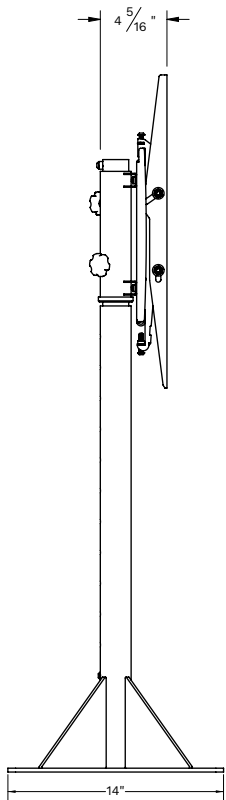
Model: FS-1

GENERAL	DISPLAY COMPATIBILITY	42" - 86" Séura Outdoor TVs*
	VESA COMPATIBILITY	Compatible with VESA mount patterns up to 600×400
	CUSTOMIZABLE VIEWING	Swivel 360° / - 360° Extend from 28.5" to 43" (in 2" increments) from installation surface
	FLOOR STAND DIMENSIONS	Collapsed: 26.25" w x 14" d x 39.75" h Extended: 26.25" w x 14" d x 61.75" h
	MOUNTING PLATE DIMENSIONS	14" w x 14" d
	FINISH COLOR	Black Powder Coat
	DURABILITY	Acrylic E-Coated Steel
INSTALLATION	MAXIMUM WEIGHT LIMIT	200 lbs
	INSTALLATION SURFACE	Concrete at least 4" thick or concrete backed flooring, tile, brick pavers, and fully framed wood structures with proper footings
	HARDWARE	Stainless Steel
SHIPPING	SHIPPING CONTAINER DIMS	16.5" w x 16.25" d x 41.5" h
	SHIPPING WEIGHT	56 lbs
	PRODUCT WEIGHT	47 lbs

* The power cord included with Séura's Full Sun Series 85-inch Outdoor TV (model UB4-85) does not fit inside of the floor stand pole. The cord must run alongside the pole and will not be neatly tucked away.

Maximum Weight Limit: 200 lbs.

The wall structure must be capable of supporting at least five times the weight of the TV. If not, the wall structure must be reinforced.



LIMITED PRODUCT WARRANTY

For information regarding Séura's warranty policy, please visit our website: www.seura.com/warranty.
If the current Séura warranty policy is after your product purchase date, please contact Séura Customer Support to request warranty documentation from the date of your purchase.

For additional customer support, please contact Séura.
Toll Free: 1-800-957-3872 (Monday - Friday 8:00 am - 4:30 pm, Central Time)

Website: www.seura.com/support



1230 Ontario Road Green Bay, Wisconsin 54311
1-800-957-3872 contacts@seura.com
www.seura.com