



SÉURA OUTDOOR ACCESSORIES

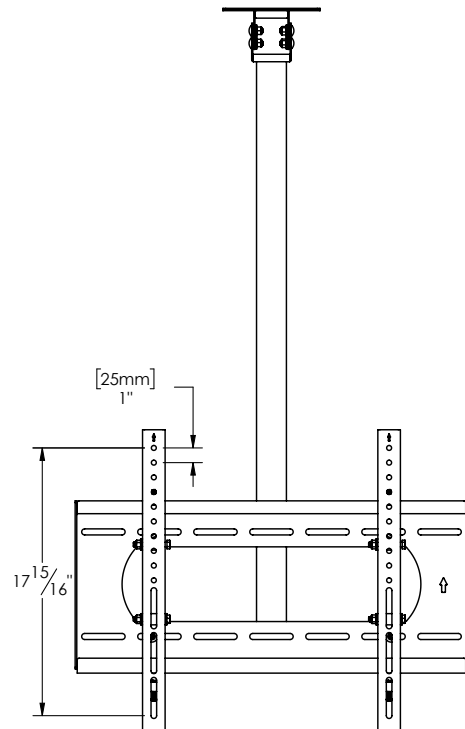
Ceiling Mount

This robust adjustable ceiling mount is built to withstand extreme outdoor conditions. Select the short or long ceiling mount based on your installation needs and easily adjust to your required height for the perfect outdoor viewing experience.

**SHORT ARM
CEILING MOUNT**
Model: SC-1

**LONG ARM
CEILING MOUNT**
Model: LC-1

| | SHORT ARM CEILING MOUNT Model: SC-1 | LONG ARM CEILING MOUNT Model: LC-1 | |
|---------------------|---|---|---|
| GENERAL | DISPLAY COMPATIBILITY | | |
| | 42" - 86" Séura Outdoor TVs* | | |
| | CUSTOMIZABLE VIEWING | Swivel 360° / - 360° | Swivel 360° / - 360° |
| | | Extend from 28.5" to 36.5" (in 2" increments) from ceiling to lower mounting plate rail | Extend from 43" to 65" (in 2" increments) from ceiling to lower mounting plate rail |
| | CEILING MOUNT DIMENSIONS | Collapsed: 26.25" w x 6.6 d x 34" h | Collapsed: 26.25" w x 6.6 d x 48.5" h |
| | | Extended: 26.25" w x 6.6 d x 42" h | Extended: 26.25" w x 6.6 d x 70.5" h |
| INSTALLATION | MOUNTING PLATE DIMENSIONS | 6.5" w x 6.5" h | |
| | FINISH COLOR | Black Powder Coat | |
| | DURABILITY | Acrylic E-Coated Steel | |
| | MAXIMUM WEIGHT LIMIT | 220 lbs | |
| SHIPPING | VESA COMPATIBILITY | up to 600 x 400 | |
| | INSTALLATION SURFACE | Wood / Concrete / Steel | |
| | HARDWARE | Stainless Steel | |
| OTHER | SHIPPING CONTAINER DIMS | 19" w x 27" l x 5.25" h | 19" w x 36.5" l x 5.25" h |
| | SHIPPING WEIGHT | 30 lbs | 36 lbs |
| | PRODUCT WEIGHT | 24 lbs | 30 lbs |
| OTHER | WARRANTY | Two (2) year warranty against defects in original hardware and/or workmanship. Excludes corrosion or rust resulting from damaged, scratched or chipped paint or other surfaces. | |



* The power cord included with Séura's Full Sun Series 85-inch Outdoor TV (model UB4-85) does not fit inside of the ceiling mount pole. The cord must run alongside the pole and will not be neatly tucked away inside.