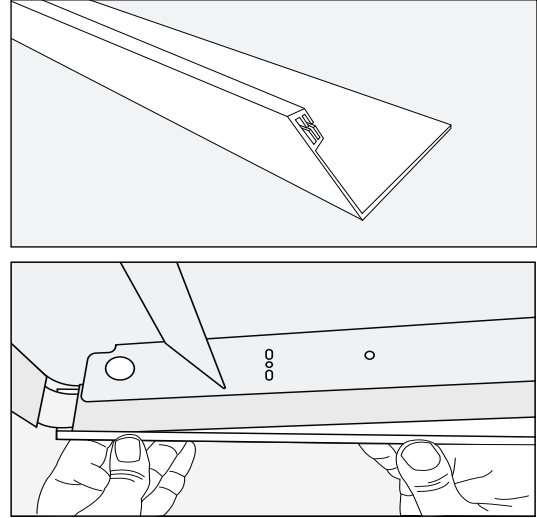


Diffusers are designed to prevent viewers from directly looking into bright LEDs that are visible from the sides of the mirror.

**Diffusers need to be installed on the housing before mounting the housing to a wall.**

**Diffuser Installation Instructions:**

1. Center the diffusers along the sides of the mirror and align the engagement slot on the diffuser with the housing flange edge. If diffusers are being used on all four sides of a rectangular mirror, line up two adjacent sides and make a 45 degree angle at the corner.
2. One diffuser at a time, attach the diffusers to the housing by lightly pressing the engagement slot of the diffuser on the housing flange. Start on one end of the diffuser and sequentially press in place along the entire length. Work your way around the mirror.
3. Apply remaining diffusers in a similar manner. Corners may need to be manually adjusted for best fit.



**Your actual mirror assembly may differ in size and shape from the illustrations below.**

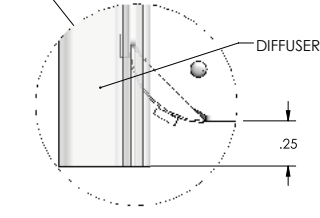
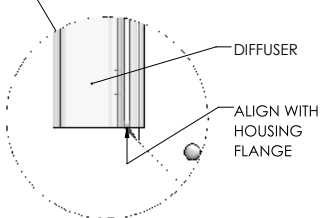
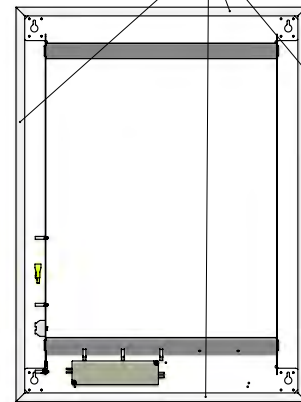
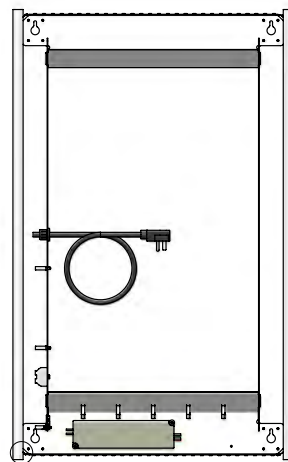
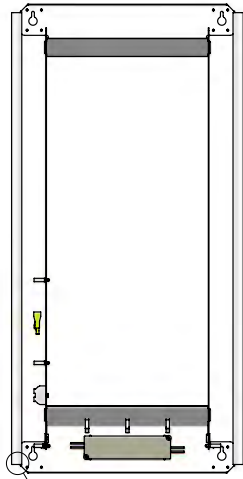
Diffusers on two sides of mirror

Diffusers on four sides of mirror

VEDA WITH STANDARD HOUSING

FORTE/HALO WITH SIDE DIFFUSERS ONLY

CLIP-ON LIGHT DIFFUSERS



45-degree angle on housing

LED strip curves around corner and extends around entire mirror on four-sided lighting designs.

**Note:**

Diffuser extends approximately 1/2" longer on top and bottom on 4-sided lighting designs where LED strips warp around corners in comparison two 2-sided lighting designs.