



www.seura.com  
 PH. 920.857.9069  
 FAX 920.857.9490

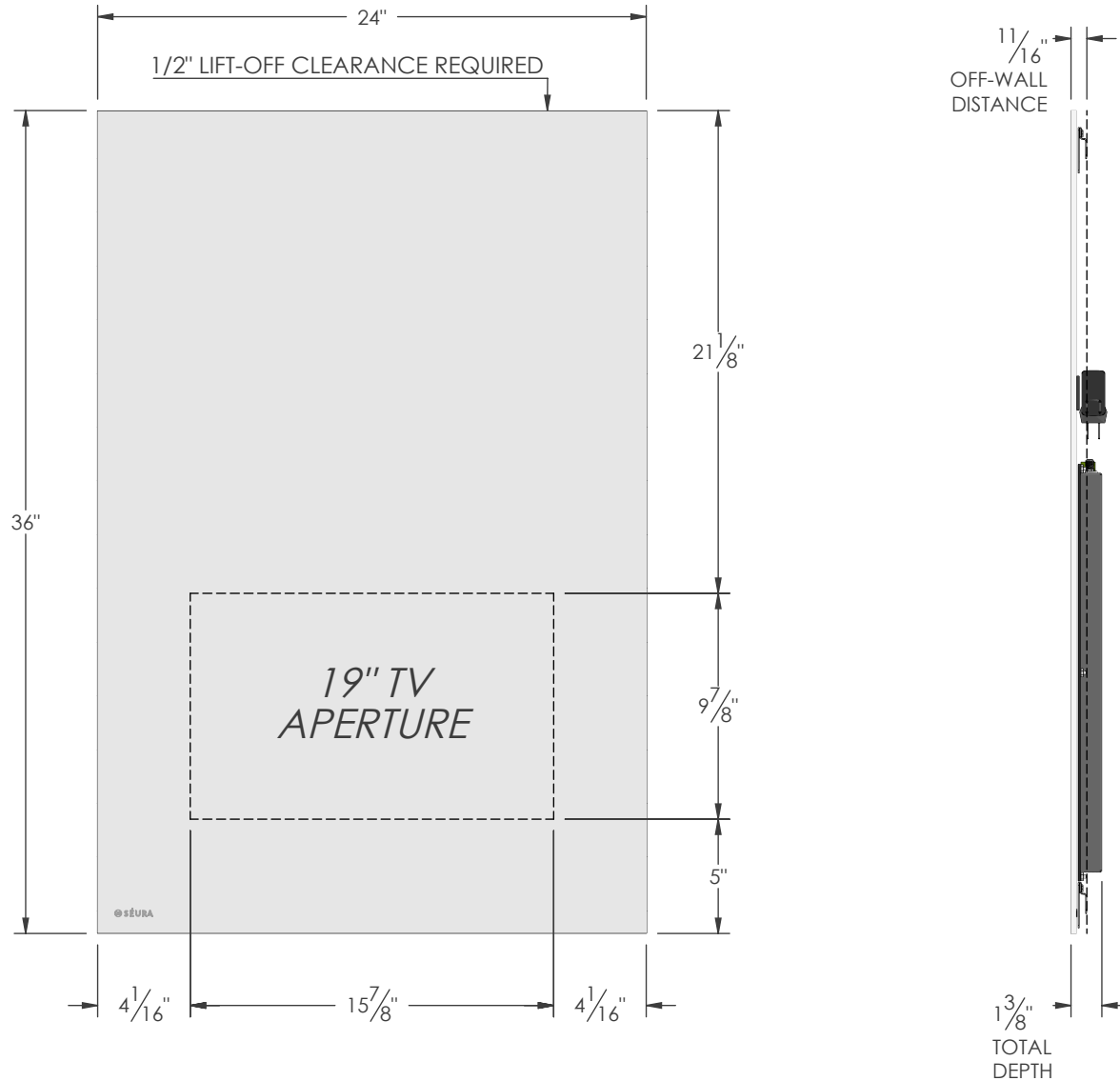
Reseller  
-

Drawing ID Number  
-

Date Created  
5 FEB 2021

Revised Date  
-

Item and Description  
 S-R-2436-19.6-V2  
 24"(W) X 36"(H) Recessed TV Mirror with 19" TV and Vanishing Vanity Glass



**SIGNATURE:**

**DATE:**

**NOTE:** PLEASE SIGN AND DATE THIS PAGE BEFORE RETURNING TO SEURA, SIGNIFYING YOU AGREE TO ALL SPECIFICATIONS SHOWN ON ALL DRAWING SHEETS. THE BUILD PROCESS WILL NOT BEGIN WITHOUT AN AUTHORIZED SIGNATURE. FOR DRAWINGS THAT REQUIRE REVISIONS, SEND THE REVISIONS TO SEURA NOTED ON THE ORIGINAL DRAWINGS. A REVISED DRAWING PACKAGE WILL BE RE-SENT FOR SIGNATURE.

**TOLERANCES (UNLESS OTHERWISE NOTED)**  
 FRACTIONAL:  $\pm 1/8"$   
 ANGULAR:  $\pm 1.0^\circ$   
 TWO PLACE DECIMAL:  $\pm .03"$   
 THREE PLACE DECIMAL:  $\pm .015"$

**PROPRIETARY AND CONFIDENTIAL**  
 THE INFORMATION CONTAINED IN THIS DOCUMENT IS THE SOLE PROPERTY OF THE MANUFACTURER. ANY REPRODUCTION IN PART, OR AS A WHOLE, WITHOUT THE WRITTEN PERMISSION OF MANUFACTURER, IS PROHIBITED.

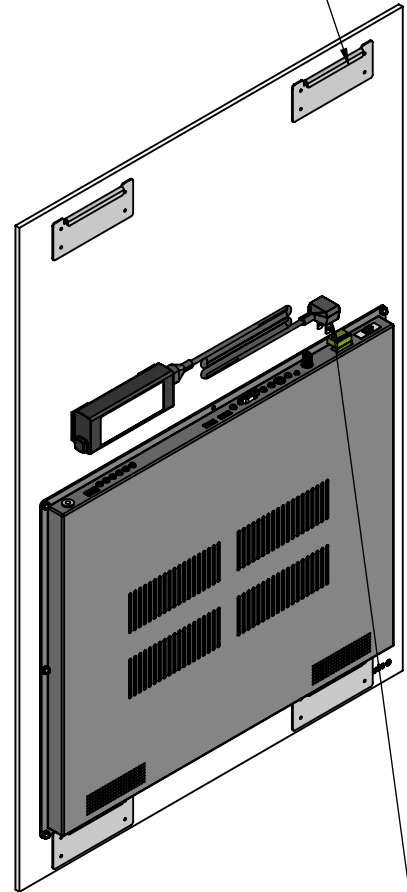
**SHEET  
1**

# 19" & 27" HIGH-DEFINITION TV SPECIFICATIONS

PLEASE SEE WEBSITE FOR CURRENT SPECIFICATIONS

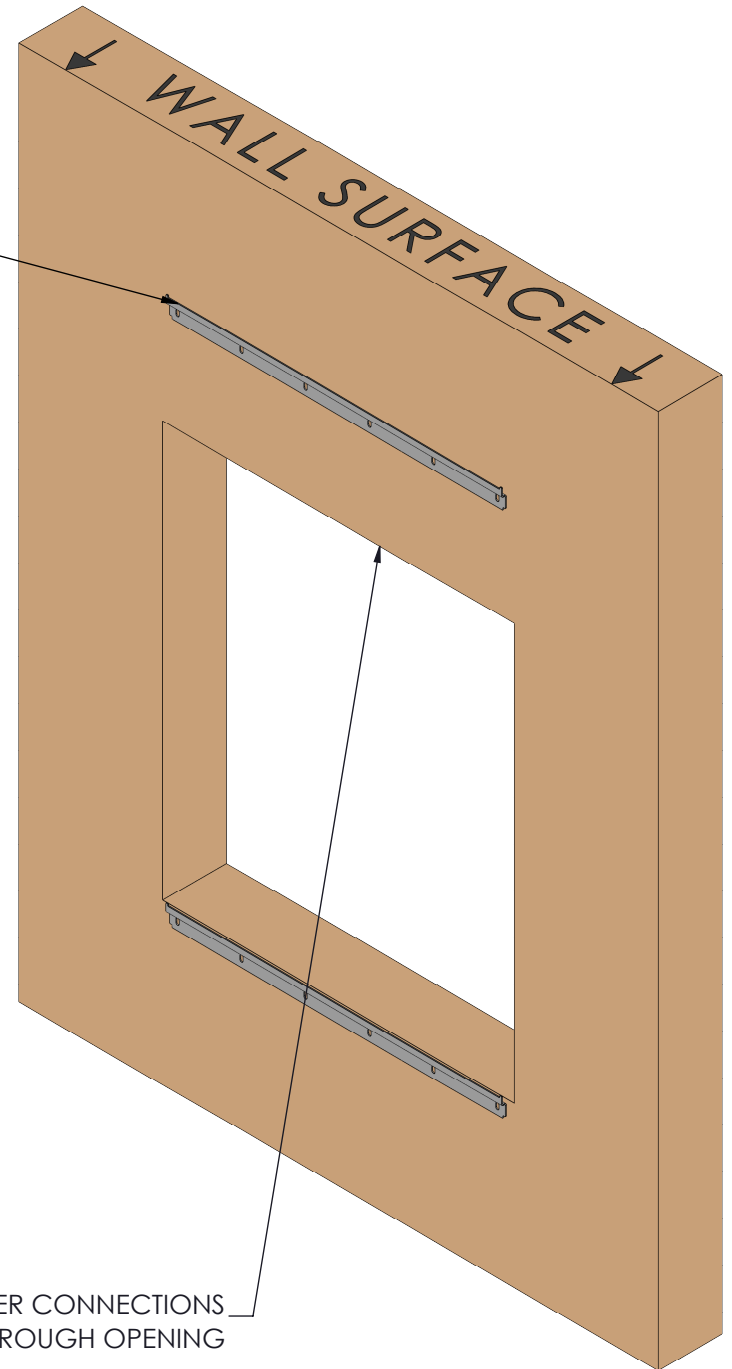
<https://storage.googleapis.com/wp-stateless/2019/10/vanity-tv-mirror-spec-sheet.pdf>

INTERLOCKING MOUNTING BRACKETS

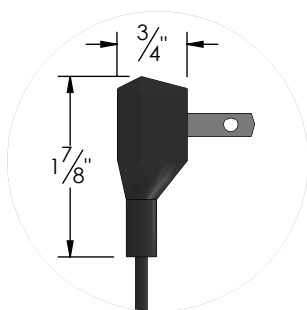


RIGHT ANGLE TV POWER PLUG

LOCATE A/V & POWER CONNECTIONS WITHIN THE ROUGH OPENING



DETAIL VIEW TV POWER PLUG



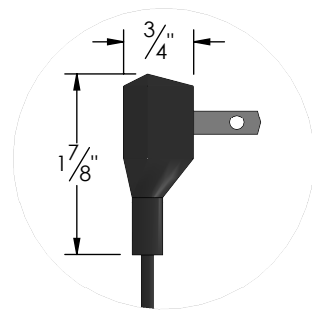
<p><b>TOLERANCES (UNLESS OTHERWISE NOTED)</b>                  FRACTIONAL: ± 1/8"                  ANGULAR: ± 1.0°                  TWO PLACE DECIMAL: ± .03"                  THREE PLACE DECIMAL: ± .015"</p>	<p><b>PROPRIETARY AND CONFIDENTIAL</b>                  THE INFORMATION CONTAINED IN THIS DOCUMENT IS THE SOLE PROPERTY OF THE MANUFACTURER. ANY REPRODUCTION IN PART, OR AS A WHOLE, WITHOUT THE WRITTEN PERMISSION OF MANUFACTURER, IS PROHIBITED.</p>
---	--

Model Number S-R-2436-19.6-V2	Drawing ID Number -	Date Created 5 FEB 2021	Revised Date -
----------------------------------	------------------------	----------------------------	-------------------

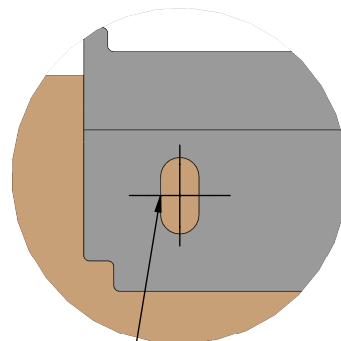
**INSTALLATION INSTRUCTIONS:**

- Reference the dimensions on this sheet to properly locate the wall brackets on the mounting surface.
- Wall brackets must have mounting screws in both end slots.
- If it is not possible to mount to the wall framing members, use the supplied toggle bolts into minimum ½-inch thick drywall. Toggle bolt instructions are included in the fastener packet.
- Hold mirror assembly close to wall, connect A/V and power, and verify functionality.
- Hang mirror assembly. Ensure the brackets are interlocked and mirror is secure.

**DETAIL VIEW  
TV POWER PLUG  
SCALE 1 : 2**

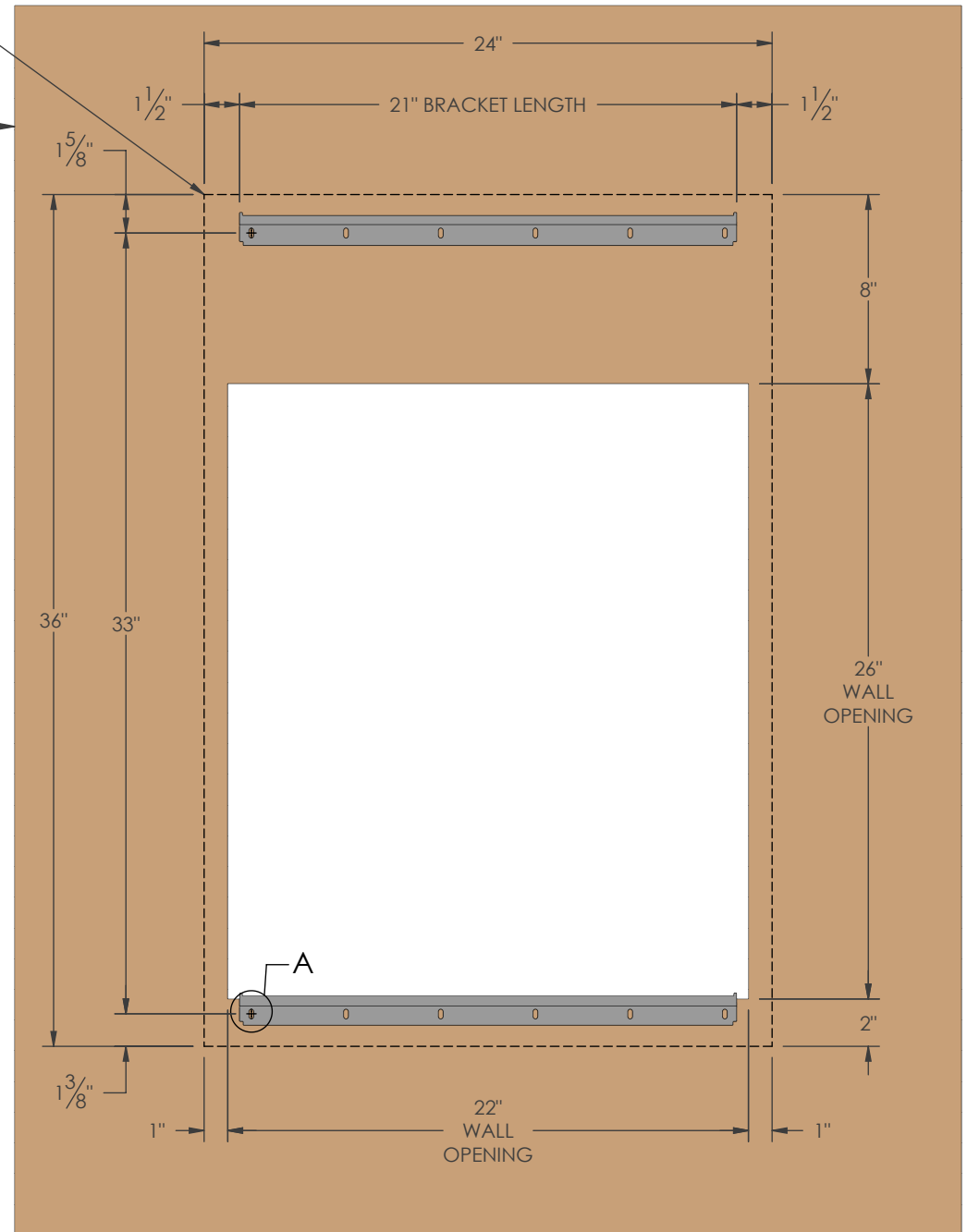


**DETAIL A  
SCALE 1 : 1**



VERTICAL DIMENSIONS ARE TO CENTER OF MOUNTING SLOTS

MIRROR OUTLINE  
WALL SURFACE



<p><b>TOLERANCES (UNLESS OTHERWISE NOTED)</b>          FRACTIONAL: ± 1/8"          ANGULAR: ± 1.0°          TWO PLACE DECIMAL: ± .03"          THREE PLACE DECIMAL: ± .015"</p>	<p><b>PROPRIETARY AND CONFIDENTIAL</b>          THE INFORMATION CONTAINED IN THIS DOCUMENT IS THE SOLE PROPERTY OF THE MANUFACTURER. ANY REPRODUCTION IN PART, OR AS A WHOLE, WITHOUT THE WRITTEN PERMISSION OF MANUFACTURER, IS PROHIBITED.</p>
---	--

<p>Model Number S-R-2436-19.6-V2</p>	<p>Drawing ID Number -</p>	<p>Date Created 5 FEB 2021</p>	<p>Revised Date -</p>
--	--------------------------------	------------------------------------	---------------------------