

# Premium 60W Outdoor Soundbar Mounting Bracket Modification

## To Accommodate Full Sun Series Outdoor TVs

Séura Premium 60W Outdoor Soundbars (models SPK-49, SPK-55, SPK-65, and SPK-86) include mounting brackets to attach the soundbar to Séura Ultra Bright Outdoor TVs (models STM3-49-U, STM3-55-U, STM3-65-U, and STM3-86-U). These brackets can be modified to attach the soundbar to the Séura Full Sun Series Outdoor TVs (models UB4-50, UB4-65, and UB4-85).

## Instructions

To modify the mounting brackets, you'll need a power drill and 3/8" metal drill bit. Reference the diagrams included for the exact location where two slots need to be drilled into each mounting bracket based on your TV size. The slots should be large enough so the VESA bolts fit through. Before drilling holes, we recommend lining up the mounting brackets with the TV and soundbar to ensure the holes you drill line up with the VESA holes on the back of the TV.

Please view the Premium 60W Outdoor Soundbar product manual for additional installation instructions and product information, available at [www.seura.com/manuals](http://www.seura.com/manuals) (direct link <https://seura.com/wp-stateless/2019/10/soundbar-manual.pdf>).

## Parts and Tools Required (not included)



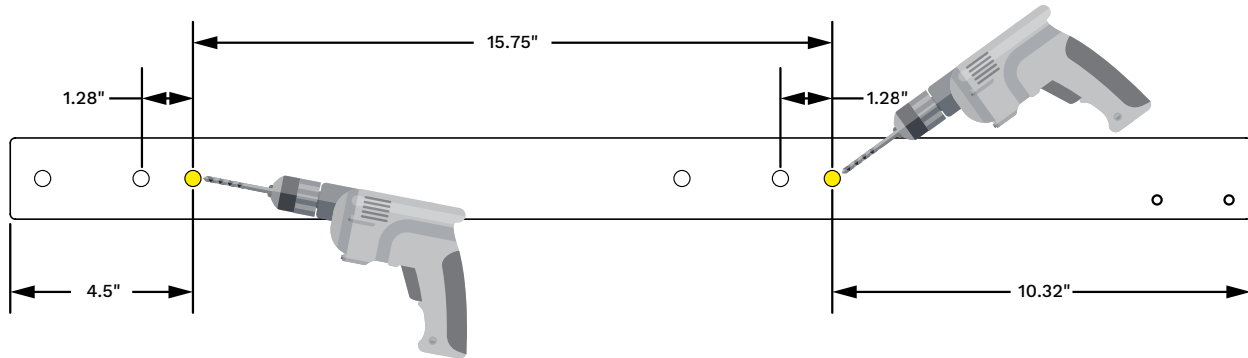
Power Drill



3/8" Metal Drill Bit

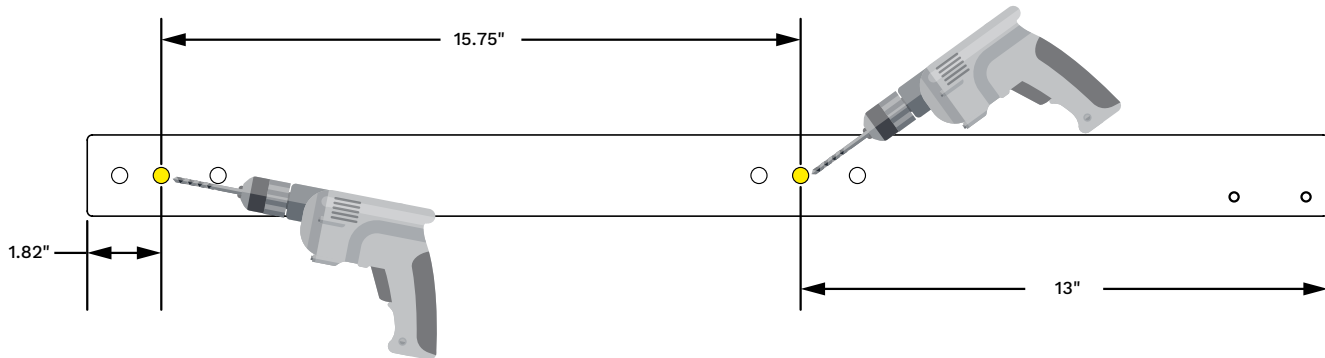
**Diagram for SPK-49 Soundbar Brackets**

Drill holes identified below to attach to Séura Full Sun Series Outdoor TV model UB4-50.



**Diagram for SPK-65 Soundbar Brackets**

Drill holes identified below to attach to Séura Full Sun Series Outdoor TV model UB4-65.



**Diagram for SPK-86 Soundbar Brackets**

Drill holes identified below to attach to Séura Full Sun Series Outdoor TV model UB4-85.  
The soundbar is slightly wider than the TV.

