



www.seura.com
PH. 920.857.9069
FAX 920.857.9490

Reseller
-

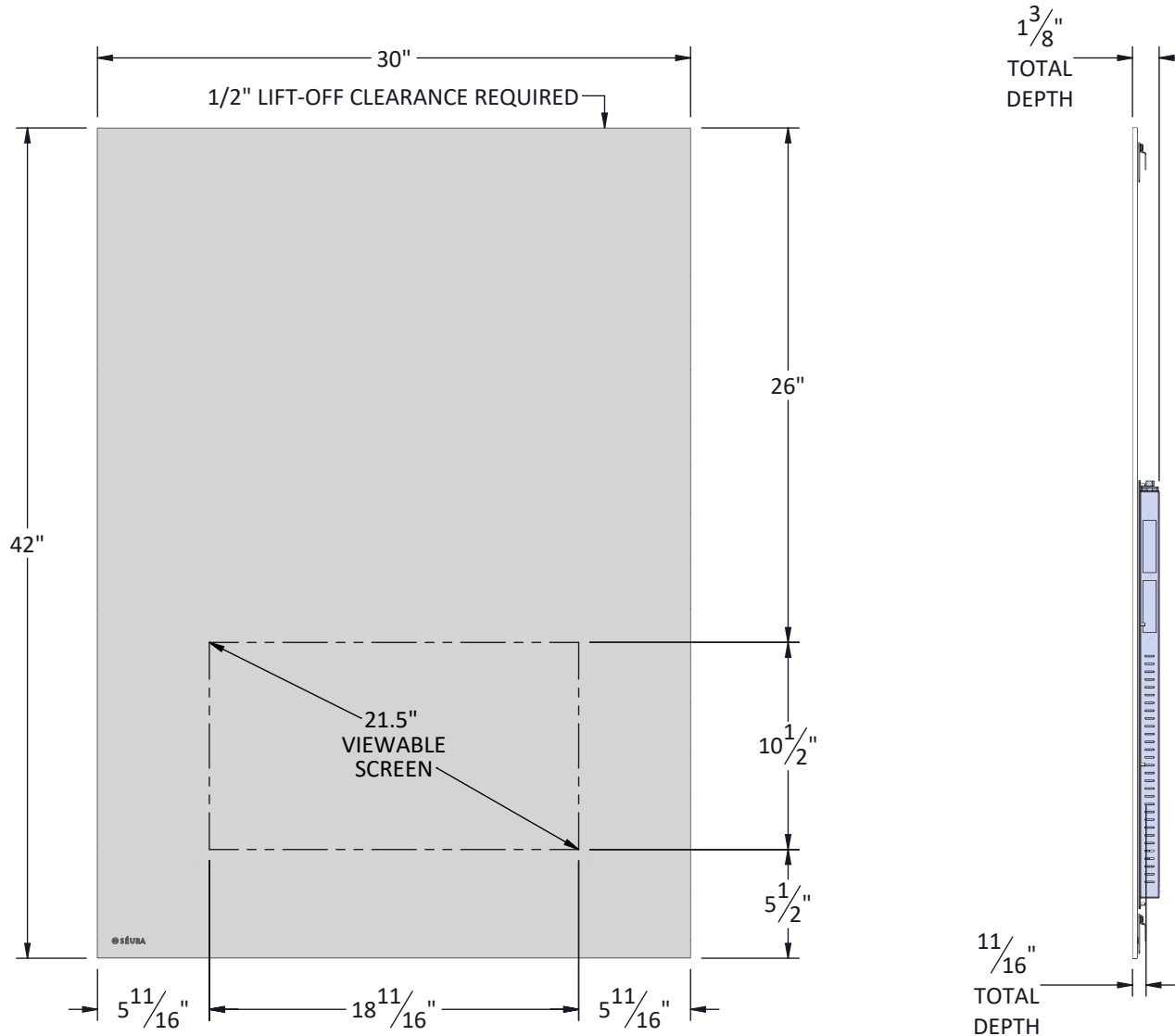
Drawing ID Number
-

Date Created
1 MAY 2024

Revised Date
17 MAY 2024

Item and Description

VTY-21A-3000x4200-RE-V2-NR-SB
Séura Vanity TV Mirror, 21.5" Smart TV, 30"(W) x 42"(H) mirror, recessed mount, vanishing vanity glass, safety backing



SIGNATURE:

DATE:

NOTE: PLEASE SIGN AND DATE THIS PAGE BEFORE RETURNING TO SEURA, SIGNIFYING YOU AGREE TO ALL SPECIFICATIONS SHOWN ON ALL DRAWING SHEETS. THE BUILD PROCESS WILL NOT BEGIN WITHOUT AN AUTHORIZED SIGNATURE. FOR DRAWINGS THAT REQUIRE REVISIONS, SEND THE REVISIONS TO SEURA NOTED ON THE ORIGINAL DRAWINGS. A REVISED DRAWING PACKAGE WILL BE RE-SENT FOR SIGNATURE.

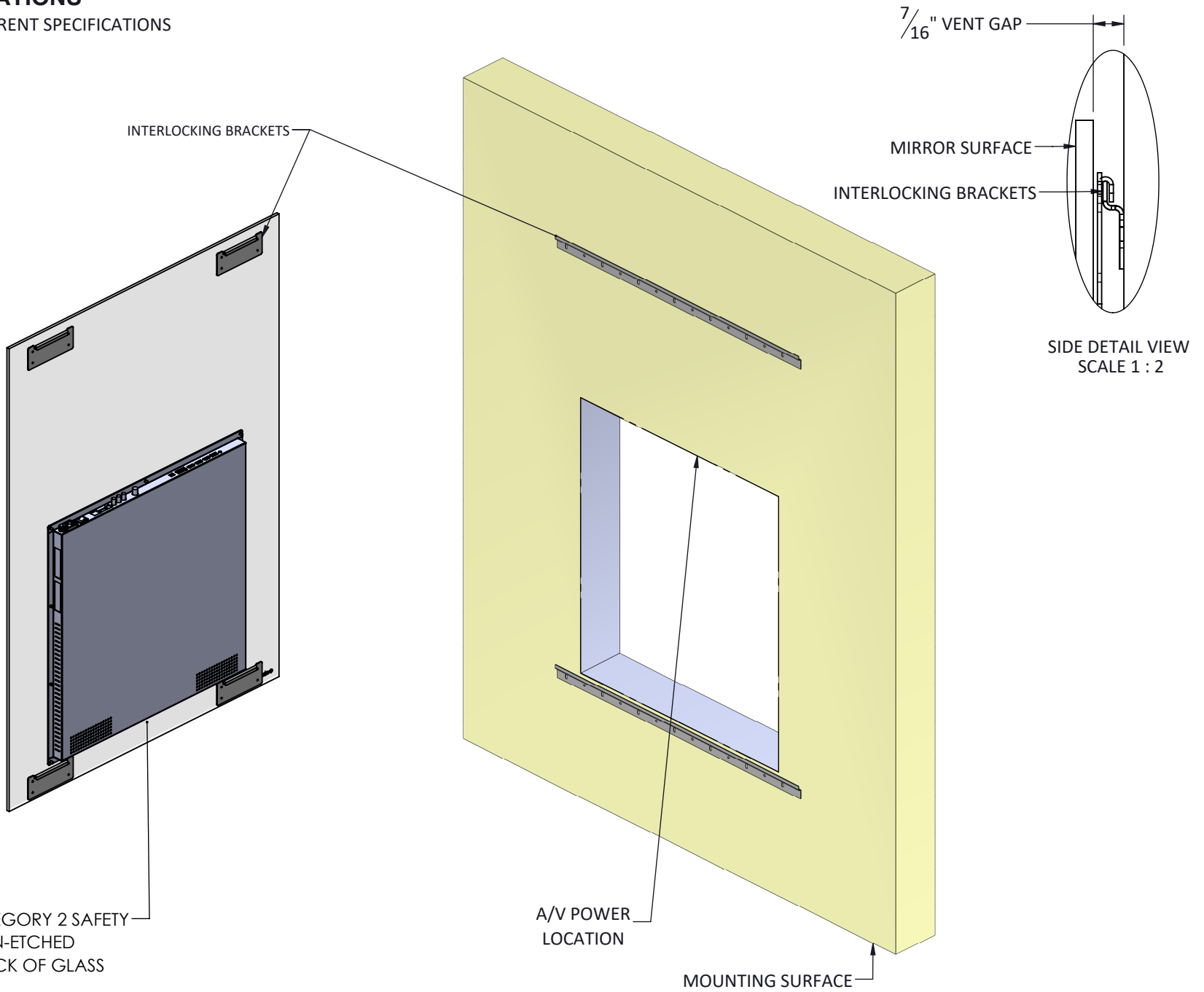
TOLERANCES (UNLESS OTHERWISE NOTED)
FRACTIONAL: ± 1/8"
ANGULAR: ± 1.0°
TWO PLACE DECIMAL: ± .03"
THREE PLACE DECIMAL: ± .015"

PROPRIETARY AND CONFIDENTIAL
THE INFORMATION CONTAINED IN THIS DOCUMENT IS THE SOLE PROPERTY OF THE MANUFACTURER. ANY REPRODUCTION IN PART, OR AS A WHOLE, WITHOUT THE WRITTEN PERMISSION OF MANUFACTURER, IS PROHIBITED.

**SHEET
1**

VANITY TV SPECIFICATIONS

PLEASE SEE WEBSITE FOR CURRENT SPECIFICATIONS



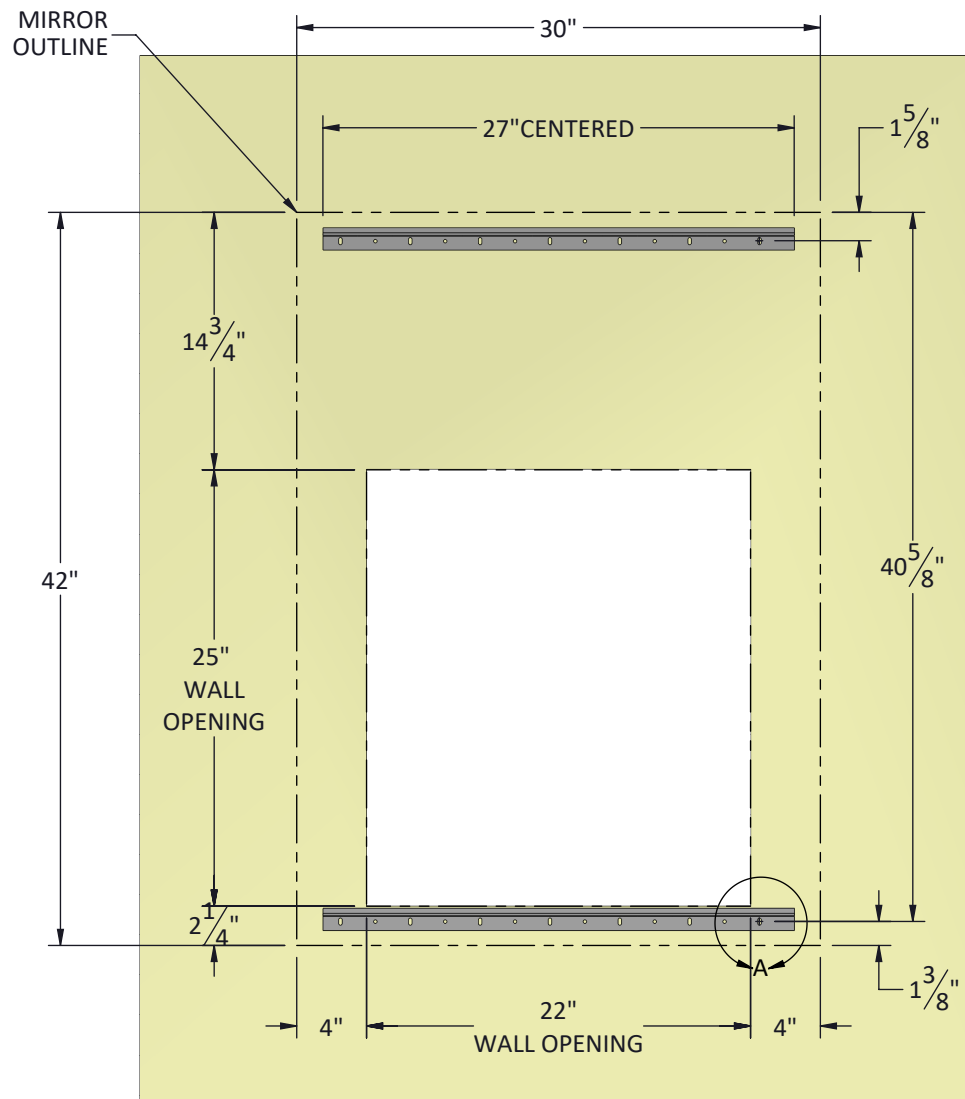
FIBER-REINFORCED CATEGORY 2 SAFETY FILM APPLIED OVER NON-ETCHED EXPOSED AREAS ON BACK OF GLASS

A/V POWER LOCATION

MOUNTING SURFACE

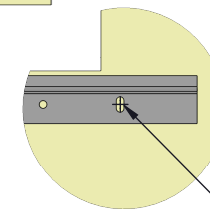
<p>TOLERANCES (UNLESS OTHERWISE NOTED) FRACTIONAL: ± 1/8" ANGULAR: ± 1.0° TWO PLACE DECIMAL: ± .03" THREE PLACE DECIMAL: ± .015"</p>	<p>PROPRIETARY AND CONFIDENTIAL THE INFORMATION CONTAINED IN THIS DOCUMENT IS THE SOLE PROPERTY OF THE MANUFACTURER. ANY REPRODUCTION IN PART, OR AS A WHOLE, WITHOUT THE WRITTEN PERMISSION OF MANUFACTURER, IS PROHIBITED.</p>
---	--

<p>Model Number VTY-21A-3000x4200-RE-V2-NR-SB</p>	<p>Drawing ID Number -</p>	<p>Date Created 1 MAY 2024</p>	<p>Revised Date 17 MAY 2024</p>
---	--------------------------------	------------------------------------	-------------------------------------



INSTALLATION INSTRUCTIONS:

- Reference the dimensions on this sheet to properly locate the wall brackets on the mounting surface, locate within 0.05° of levelness or ± 1/32".
- Wall brackets must have mounting screws in both end slots.
- If it is not possible to mount to the wall framing members, use the supplied toggle bolts into minimum ½-inch thick drywall. Toggle bolt instructions are included in the fastener packet.
- Hold mirror assembly close to wall, connect A/V and power, and verify functionality.
- Hang mirror assembly. Ensure the brackets are interlocked and mirror is secure.



DETAIL A
SCALE 1 : 5

VERTICAL DIMENSIONS ARE TO CENTER OF MOUNTING SLOTS

<p>TOLERANCES (UNLESS OTHERWISE NOTED) FRACTIONAL: ± 1/8" ANGULAR: ± 1.0° TWO PLACE DECIMAL: ± .03" THREE PLACE DECIMAL: ± .015"</p>	<p>PROPRIETARY AND CONFIDENTIAL THE INFORMATION CONTAINED IN THIS DOCUMENT IS THE SOLE PROPERTY OF THE MANUFACTURER. ANY REPRODUCTION IN PART, OR AS A WHOLE, WITHOUT THE WRITTEN PERMISSION OF MANUFACTURER, IS PROHIBITED.</p>	<p>SHEET 3</p>
---	--	----------------------------------

<p>Model Number VTY-21A-3000x4200-RE-V2-NR-SB</p>	<p>Drawing ID Number -</p>	<p>Date Created 1 MAY 2024</p>	<p>Revised Date 17 MAY 2024</p>
---	--------------------------------	------------------------------------	-------------------------------------