



Design Collection by Séura

ENCORE COLLECTION



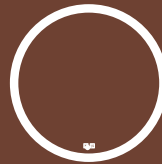
Alto



Fresco



Legato



Opus



Concerto

WARRANTY REGISTRATION
**REGISTER FOR
EXTRA BENEFITS**

Activate within 30 days of purchase:
seura.com/activate

WWW.SEURA.COM

Table of Contents

Click the number to navigate to the page

Unboxing Instructions Product Warnings	3
Components Included and Suggested Tools	4
Prepare Wall Step 1	4
Install Wall Anchors Step 2	5
Mount the Wall Bracket Step 3	5
Install Mirror Step 4	6
Operating Instructions Touch Button Controls	7
Maintenance How to Clean	7

Thank you for selecting a Séura Lighted Mirror.

Please read this guide before beginning installation.

Carefully remove and inspect the unit for possible damage that may have occurred during shipping. If there is damage, please call Séura at 1-800-957-3872. If your shipment is damaged and is not noted on the delivery receipt, Séura cannot guarantee compensation. All freight damage claims must be reported to Séura Customer Service within 48 hours of delivery to be covered by our warranty.

How to properly remove the unit from the box

1. Lay box on the ground face up.
2. Carefully tip the box on it's side and cut the tape holding the top part of the box in place
3. Lower the box back down and remove the lid.
4. Carefully remove large cardboard piece from on top of the mirror.
5. Remove the mirror. **Tip: Save the box and packaging materials until installation is complete.**
6. Gently cut tape and remove Styrofoam pieces.
7. Flip mirror upside down and gently pull the remaining foam pieces up and off the mirror.
8. Remove the plastic polybag.
9. Once the mirror is installed on the wall, gently remove the protective plastic film from the glass.

If the mirror or mirror housing contains reflective tape or white tape, do **not** remove it. Adhesive tape is used on some models and is not part of the packaging. Removing the adhesive will damage the product.

How to properly store the unit until installation

After inspection, repack the unit so it stays safe and protected until installation.

NOTE: It is the installer's responsibility that all electrical and framing construction is code compliant to the municipality in which the product is being installed. Modifications made to Séura recommendations are at the sole discretion of the installer and release Séura of all liability.

Séura Lighted Mirrors use LEDs that are rated to retain 70% overall brightness at the end of life, including cases where an individual LED fails.



WARNING: READ ALL INSTRUCTIONS BEFORE ATTEMPTING TO INSTALL OR SERVICE THIS PRODUCT.

When installing and during use of this product, basic safety precautions should always be followed to reduce the risk of fire, electric shock and/or injury to persons including the following:

- Make sure the installation area is free of clutter.
- Do not place the product on an unstable cart, stand, tripod or table.
- To avoid damage to the mirror, only transport it in a vertical position. Transporting the product horizontally may permanently warp the mirror.
- Inspect the desired location for installation and be aware of all electrical wiring pathways, water pipes, gas lines, or other potentially hazardous conditions that may exist to protect from accidental damage.
- Ensure all required electrical specifications are adhered to and have been installed by the appropriate

individuals and are code approved.

- Ensure all framing requirements, if needed, have been completed to building code and pose no structural issues.
- It is highly recommended that at least two (2) people assist in the installation of the mirror.
- Only qualified individuals should attempt to service the product.
- Close adult supervision is necessary when any product is used by or near children.
- Protect against electric shocks and burns by wearing safety gloves.
- Do not operate any product with a damaged cord or plug or operate it after the appliance malfunctions or has been damaged in any manner.
- Do not let the power cord or wiring come in contact with hot surfaces such as radiators, heat registers, stoves, or other

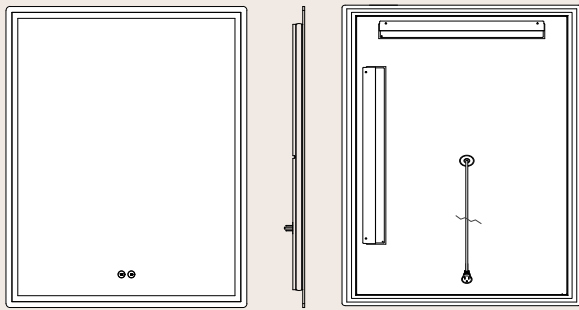
products that produce heat.

- To protect against electric shock, do not immerse the power cord, power plug, or product in water or other liquid.
- This product is only intended for use indoors.
- This product is not waterproof. Do not immerse this product in water or expose to dripping or splashing water as this could cause an electrical hazard.
- In damp locations, it is REQUIRED that the plug-in version of this product is plugged into an electrical outlet protected by a Ground Fault Circuit Interrupter (GFCI) to protect against electric shock, fire, and/or injury. Failure to do so will void any warranty for this product.
- The product must have proper, correct and sufficient AC supply voltage.
- Retain this manual in a safe place for future reference.

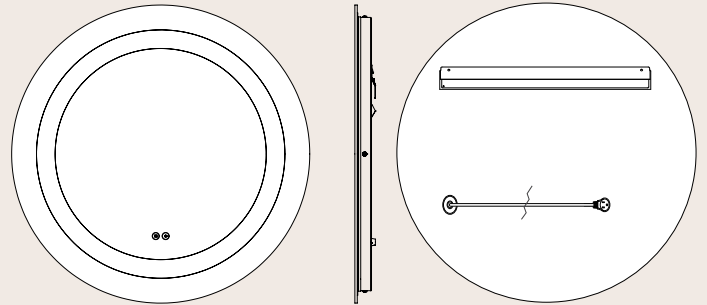


WARNING: Cancer and Reproductive Harm: www.p65warnings.ca.gov.

Components



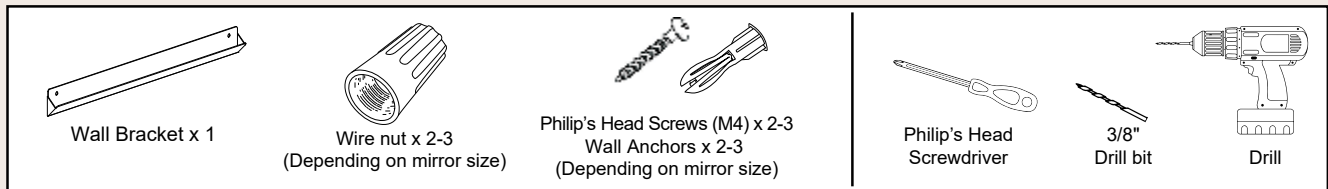
LED Mirror
Alto, Fresco, and Legato Designs



LED Mirror
Concerto or Opus Designs

Included

Not Included



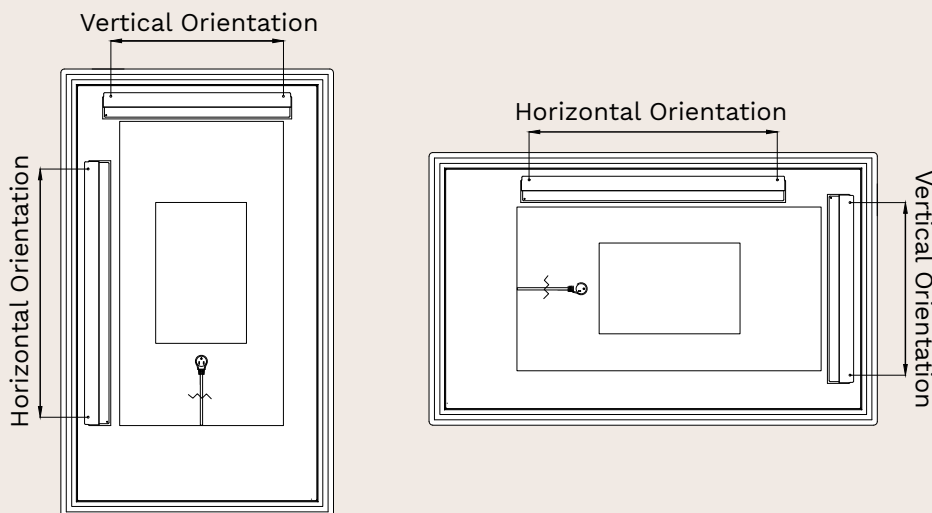
Step 1

Prepare Wall

Prepare wall and decide on desired mirror location on the wall. This mirror can be mounted in either vertical or horizontal orientation.

Mark 2-3 mounting hole (depends on mirror size) locations on the wall with a pencil.

IMPORTANT: Turn off power source before making any changes to electrical connections.

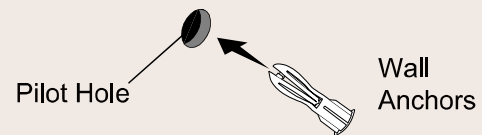
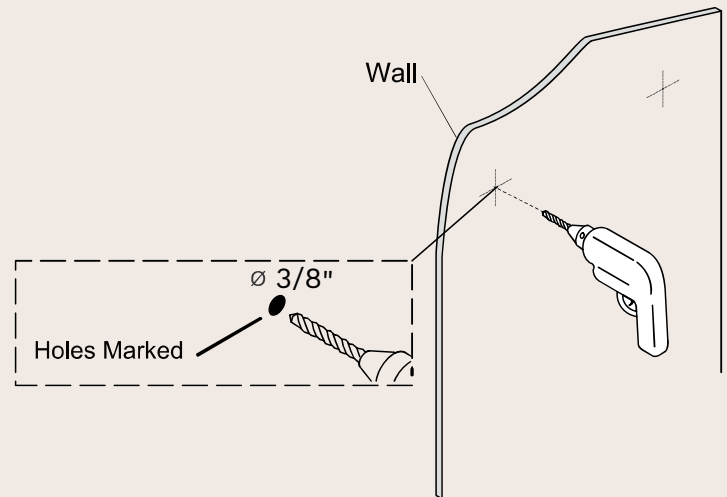


Step 2

Install Wall Anchors

- Drill 3/8-inch pilot holes at the marked locations.
- Insert the wall anchors into the pilot holes.

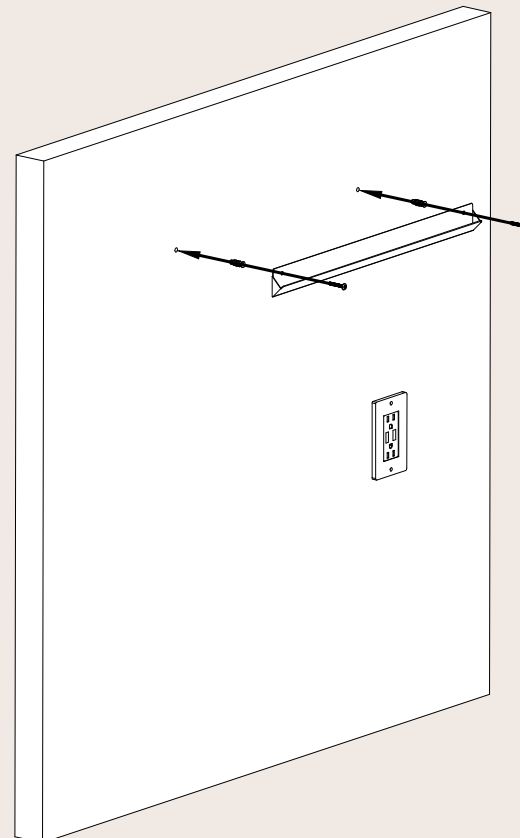
Note: Anchors are only required when mounting to drywall and not required when mounted directly to wall studs.



Step 3

Mount the Wall Bracket

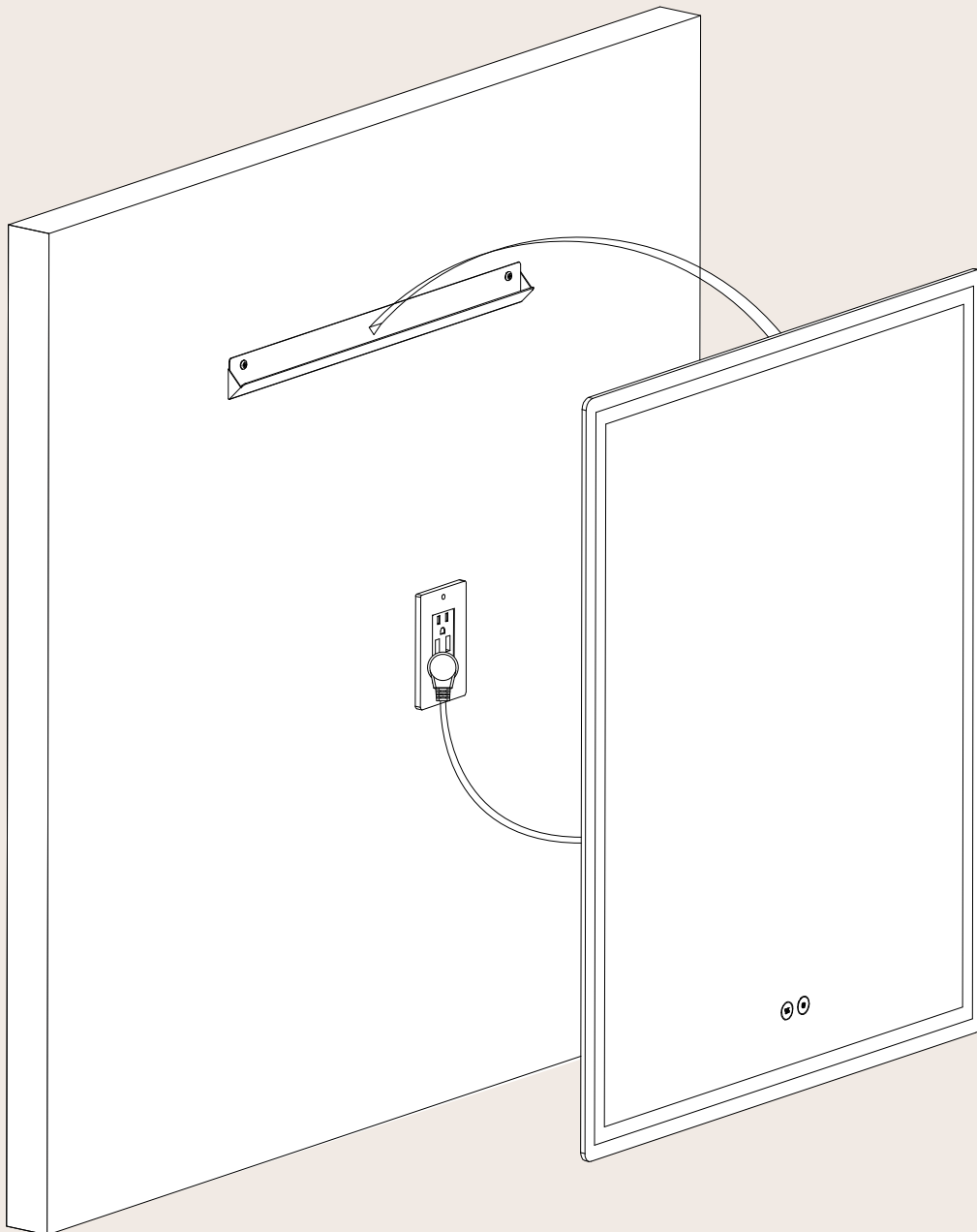
- Align Holes on bracket to installed wall anchors and screw into wall, ensuing bracket is angled towards the ceiling



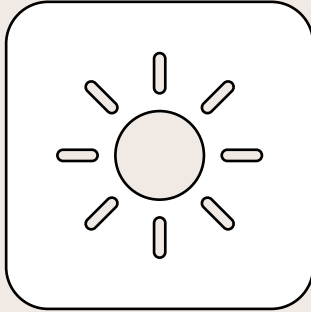
Step 4

Install Mirror

- Connect the plug to the power source
- Lift the mirror slightly above the installed wall bracket and slowly lower, ensuring the mirror bracket engages with the installed wall bracket. Ensure the brackets are securely engaged before letting go of the mirror.



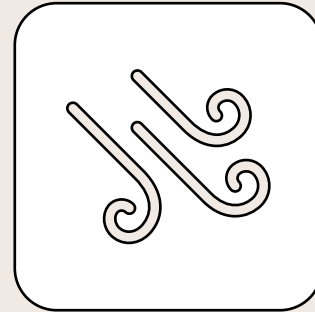
Operating Instructions



Operating the Touch Control Dimming button:

1. Tap button to power lights on and off
2. Touch and hold to adjust from 100% full brightness to 10% ambient low lighting
3. Lift your finger off button to stop at preferred brightness
4. Tap button to turn lights off. Your selected brightness will be saved and resumed the next time you turn on the mirror lights

NOTE: Touch Button is constantly illuminated when the mirror has power



Operating the Touch Control Defogger button:

1. Tap button to turn defogger on and off
- NOTE: Touch Button is only illuminated when the defogger is on. For best results, it is recommended to turn defogger on 5 minutes before showering

Maintenance



Our mirror technology has been developed to completely protect the mirror surface and allow easy maintenance. Please follow the guidelines listed for proper mirror care and cleaning:

- The glass surface can be cleaned with any conventional non-ammoniated glass cleaner. Care should be taken to use only a soft lint-free cloth. Apply all cleaners directly to the cloth and not the mirror surface. Never saturate the mirror surface as residual cleaner may seep behind the mirror.
- Stubborn spots can be removed with solvents such as mineral spirits, de-natured alcohol, and acetone. Immediately remove solvent and dirt residues per the prescribed methods above with a compatible glass cleaner or water.