



USER MANUAL

ARTISAN COLLECTION HOPPER LIGHTED MIRROR

PROFESSIONAL INSTALLATION RECOMMENDED



WARRANTY REGISTRATION

**REGISTER FOR
EXTRA BENEFITS**

Activate within 30 days of purchase:
seura.com/activate

1-800-957-3872
1230 ONTARIO ROAD, GREEN BAY, WI 54311
WWW.SEURA.COM

Thank you for selecting a Séura Lighted Mirror.

Please read this guide before beginning installation.

Carefully remove and inspect the unit for possible damage that occurred during shipping. If there is damage, please call Séura at 1-800-957-3872. If your shipment is damaged and is not noted on the delivery receipt, Séura cannot guarantee compensation. All freight damage claims must be reported to Séura Customer Service within 48 hours of delivery to be covered by our warranty.

How to properly remove the unit from the box

Carefully lift each item out of the box. Lift the mirror by the brackets attached to the back of the mirror glass. If the mirror has a frame, do not pull the unit out of the box by the frame as the frame may detach from the mirror. Lay the mirror glass flat or upright against a sturdy wall with the foam protectors remaining on the unit.

If the mirror or mirror housing contains reflective tape or white tape, do **not** remove it. Adhesive tape is used on some models and is not part of the packaging. Removing the adhesive will damage the product.

How to properly store the unit until installation

After inspection, repack the unit so it stays safe and protected until installation.

Séura Lighted Mirrors use LEDs that are rated to retain 70% overall brightness and the end of life, including cases where an individual LED fails.



WARNING: READ ALL INSTRUCTIONS AND REVIEW THE COMPLETE DRAWING PACKAGE BEFORE ATTEMPTING TO INSTALL OR SERVICE THIS PRODUCT.

When installing and during use of this product, basic safety precautions should always be followed to reduce the risk of fire, electric shock and/or injury to persons including the following:

- Make sure the installation area is free of clutter.
- Do not place the product on an unstable cart, stand, tripod or table.
- To avoid damage to the mirror, only transport it in a vertical position. Transporting the product horizontally may permanently warp the mirror.
- Inspect the desired location for installation and be aware of all electrical wiring pathways, water pipes, gas lines, or other potentially hazardous conditions that may exist to protect from accidental damage.
- Ensure all required electrical specifications are adhered to and have been installed by the appropriate

individuals and are code approved.

- Ensure all framing requirements, if needed, have been completed to building code and pose no structural issues.
- It is highly recommended that at least two (2) people assist in the installation of the mirror.
- Only qualified individuals should attempt to service the product.
- Close adult supervision is necessary when any product is used by or near children.
- Protect against electric shocks and burns by wearing safety gloves.
- Do not operate any product with a damaged cord or plug or operate it after the appliance malfunctions or has been damaged in any manner.
- Do not let the power cord or wiring come in contact with hot surfaces such as radiators, heat registers, stoves, or other

products that produce heat.

- To protect against electric shock, do not immerse the power cord, power plug, or product in water or other liquid.
- This product is only intended for use indoors.
- This product is not waterproof. Do not immerse this product in water or expose to dripping or splashing water as this could cause an electrical hazard.
- In damp locations, it is REQUIRED that the plug-in version of this product is plugged into an electrical outlet protected by a Ground Fault Circuit Interrupter (GFCI) to protect against electric shock, fire, and/or injury. Failure to do so will void any warranty for this product.
- The product must have proper, correct and sufficient AC supply voltage.
- Retain this manual in a safe place for future reference.



WARNING: Cancer and Reproductive Harm: www.p65warnings.ca.gov.

Parts Included

Before using the device, please check the following contents of the box for completeness. Illustrations are not to scale. Additional parts may be included for custom mirror upgrades.



Hopper Lighted Mirror

Mounting Hardware
Self-Drilling Drywall
Anchors and Screws
(for use when mounting
into drywall and not
wall studs; quantity
varies by mirror size
and may include extras)



Manual with installation instructions
unique to your mirror

Parts and Tools Required (not included)



Whip / Hard-Wire Electrical
Cables (required for hard-wire
configuration)



Wire Nuts



4+ Wood Screws
(required if mounting
into wall studs)



Level



Protective
Eyewear



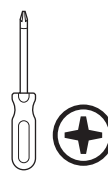
Stud Finder



Measuring
Tape



Pencil



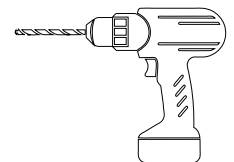
Phillips #2
Screwdriver



Wire Cutter
(required to
reduce the
length of the
whip)



Wire Stripper



Drill

Installation



IMPORTANT: TURN OFF MAIN POWER TO THE INSTALLATION LOCATION AT THE CIRCUIT BREAKER.

Step 1: Prepare proper wiring and wall switch.

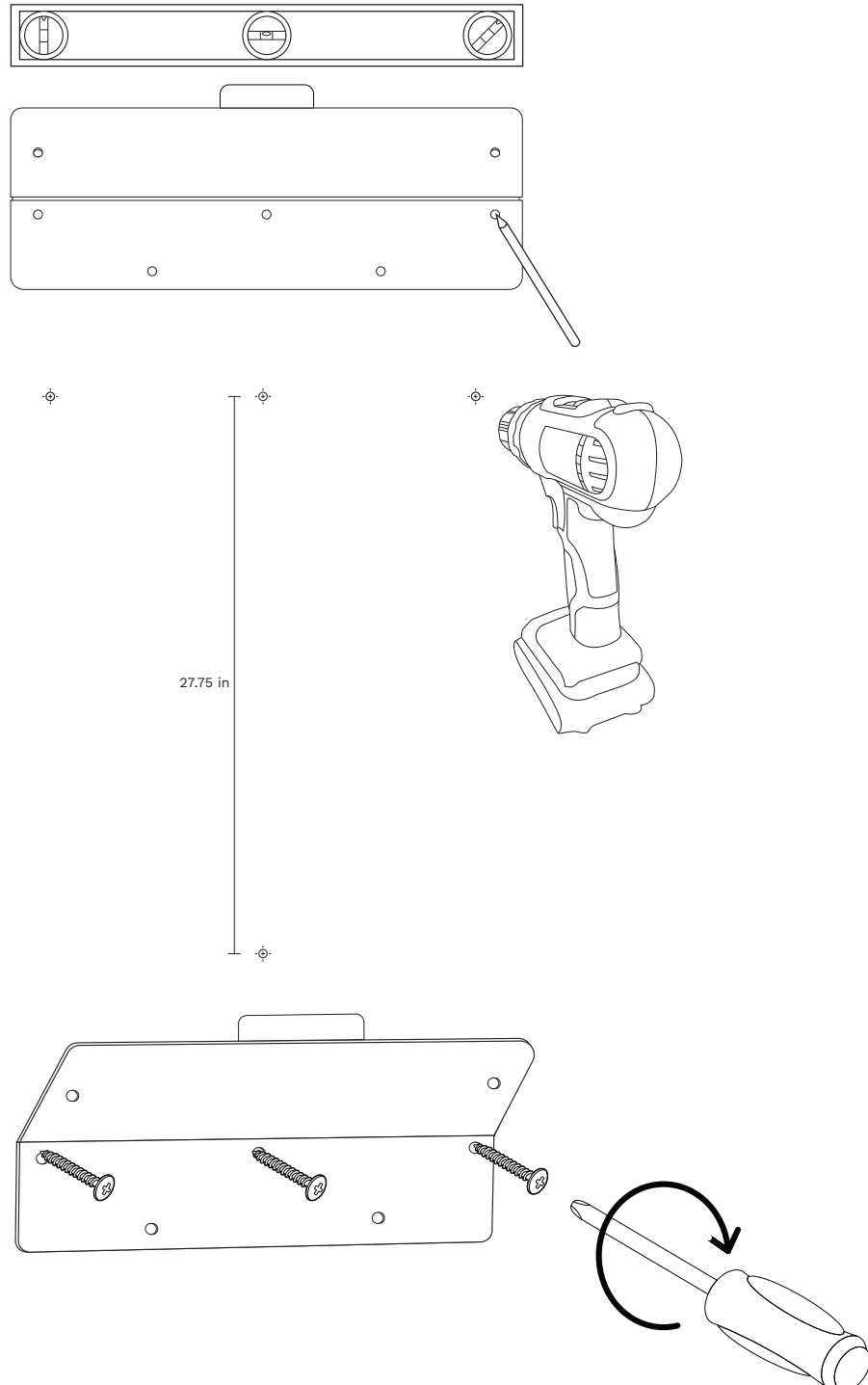
- Turn off the main power before installing the fixture in order to prevent possible electric shock. Locate the circuit breaker control for the room where you'll be working and switch the circuit to off.
- A whip is required for hardwire installation. In other words, you need access to a power cable that comes from a Junction Box in the wall. The power cable should be on a switched circuit to allow for control of the mirror lights. These extra wires are pre-wired together. Ensure that you are using 3 conductor wire (Black=Live, White=Neutral, Green=Ground). Make sure the length of the whip is long enough to reach from the power box in the wall to the mirror. If the whip is longer than needed, you may choose to use a wire cutter to reduce the length.

IMPORTANT

- Mirrors that include **Touch Control** functionality require the junction box circuit to be a constant hot circuit and not a switched circuit.
- Mirrors that include a **Defogger** (non-touch controlled) can be wired three different ways:
 - 1. On the same switch as the mirror lights:** When the mirror lights turn on, the defogger turns on. This requires the junction box circuit to be a switched circuit.
 - 2. On a separate switch from the mirror lights:** One switch will control the mirror lights and a separate switch will control the defogger. This requires the junction box circuit to have separate switched circuits, one for the mirror lights and one for the defogger.
 - 3. Always on, no switch required:** The defogger will remain on, even when the mirror lights are off. This requires the junction box circuit to be split with one side constant hot (for the defogger) and one side that is switched (for the mirror lights).
- If your mirror includes dimming capability but does not include the optional Dimmable Touch Button upgrade, verify that your wall switch supports dimming functionality. The dimmable switch must be 0-10V or Triac based on the configuration of your personalized mirror.

Step 2: Map out the installation area and mount the lighted mirror bracket to the wall.

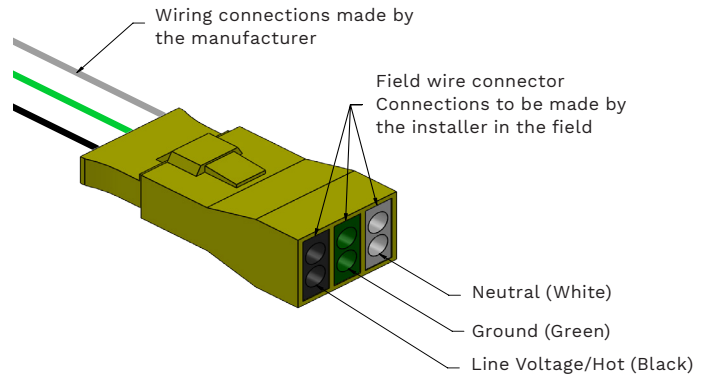
- Align the mounting bracket on the wall. Using the top 3 holes on the bottom half of the bracket as a guide, mark the positions with a pencil. Measure 27.75 inches down from the top center mark and create an additional mark for the safety anchor (in line with a wall stud if possible). Then, use a drill to create holes at the marked locations.
- If mounting on drywall, insert the provided wall anchors using a hammer. If mounting into studs, this step can be omitted.
- After drilling the holes, use a screwdriver to secure the mounting bracket in place at the same time install the safety anchor in the wall.



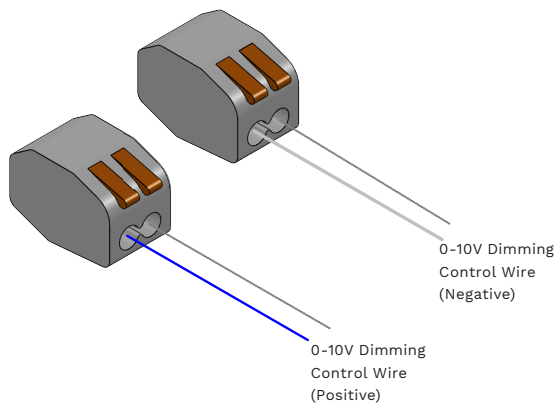
Step 3: Make wiring connections.

- Séura lighted mirrors are equipped with an easy-to-install wiring fixture disconnect that can be found on the mirror housing that is now connected to the wall. Refer to your included drawing package to identify the location of the fixture disconnect.
- Connect the whip (extra wires that are pre-wired together) from step 1 to the fixture disconnect. The connection accepts AWG 16 - 12 solid or stranded (19 strands maximum). Using a wire stripper, strip the insulation on the wires back approximately 1/2".
- Open the fixture disconnect by pushing down on the tab that connects the top and bottom pieces. Connect wires into the fixture disconnect using the color code diagram pictured. Reconnect the top and bottom pieces by sliding them together.
- If using a 0-10V dimmable switch, then connect 0-10V dimming signal directly to the driver dimming control wires.
- Turn the wall switch to on and verify functionality. If on a constant hot circuit, power will be delivered immediately when the circuit breaker is turned back on.

Wiring Fixture Disconnect

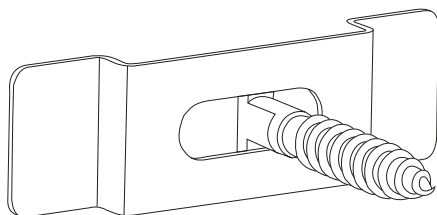
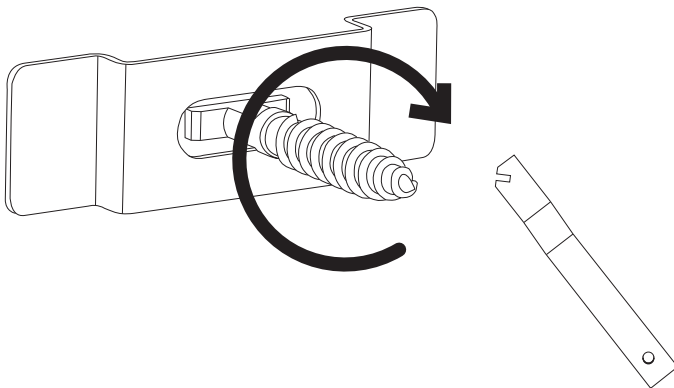
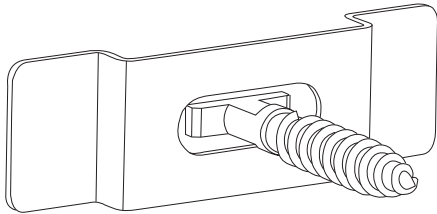
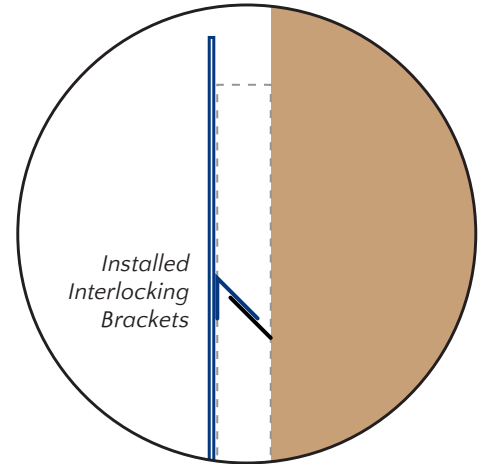


Wiring For Units With 0-10V Dimming



Step 4: Hang the mirror

- Hang the mirror onto the housing by positioning the mounting brackets on the back of the mirror so they rest on top of the brackets on the housing. Start by holding the mirror slightly higher than the housing and slowly lower the mirror until the mirror brackets rest on the housing brackets.
- Tuck any extra wire into the wall behind the mirror so it's no longer visible.
- Ensure the brackets are interlocked and the mirror is secure by making sure the mirror is level and evenly spaced from the wall.
- Secure the safety anchor using the specialized wrench included for installing.



Care and Maintenance

Séura's mirror glass coatings have been developed to protect the mirror surface and allow easy maintenance. Please follow the guidelines listed for proper mirror care and cleaning:

- The glass surface should be cleaned with any conventional non-ammoniated glass cleaner. Do not use any acid, alkali, or ammonia cleaners.
- Care should be taken to use only a soft lint-free cloth. Apply all cleaners directly to the cloth and not the mirror surface. Never saturate the mirror surface as residual cleaner may seep behind the mirror. Do not allow the mirror edges to remain wet.
- Stubborn spots can be removed with solvents such as mineral spirits, de-natured alcohol, and acetone. Immediately remove solvent and dirt residues per the prescribed methods above with a compatible glass cleaner or water.
- Take care when moving the mirror or accessories near the edges of the mirror. Exposed polished edges of glass are susceptible to chipping when in contact with other hard surfaces such as a faucet or metal soap dispenser.

Decorative frames should be cleaned using a clean, soft cloth to wipe dust and dirt off.

