

T80Z Fast-Fit

Electric Shower

Product Codes

T80Z Fast-Fit 7.5kW	SP8007ZFF
T80Z Fast-Fit 8.5kW	SP8008ZFF
T80Z Fast-Fit 9.5kW	SP8009ZFF
T80Z Fast-Fit 10.5kW	SP8001ZFF

Installation

- Inlet connection: 15mm diameter
- Outlet connection: 1/2" BSP male thread
- Generous footprint will cover the original T80Z Fast-Fit as well as most competitor models
- 8 water and 6 cable entry points
- Easy pipe connection either left or right, 15mm compression fitting
- Wire free cover fit
- Easy fit entry trims which can be installed with the shower in situ, no tools required
- Swing-Fit™ for left and right-hand side cable connections
- Swivel Fit™ for left and right-hand side water connections

Commissioning

- Simple 2 minute commissioning process

End User

- Separate flow and temperature controls
- Push-Button Start/Stop – Retains you preferred power and temperature setting
- Easy Clean 5 spray pattern shower head with removable spray plate
- Efficient A energy rating

Flexible Shower Kit

- Adjustable top bracket Shower Kit – Ideal for replacements
- 1.25m Anti-Twist Hose – Designed to avoid twists and kinks



For a cleaner conscience

T80Z Fast-Fit

Electric Shower

Shower

Temperature stability	Stabilised
Power ratings	7.5kW, 8.5kW, 9.5kW, 10.5kW (240v)
Finish	White
Controls	Start/stop button & temperature control dial
Visual indicators	Power-on/low pressure indicator
Inlet Connection	15mm compression
Water Entry Points	Top, bottom, side bottom, back (left hand side unit) Top, bottom, side bottom, back (right hand side unit)
Cable Entry Points	Top, bottom, back (left hand side unit) Top, bottom, back (right hand side unit)
Outlet Connection	½" BSP
Plumbing System Compatibility	Cold mains only
Minimum Running Pressure/Flow	1 bar at 8l/min 1.5 bar at 11l/min for 10.5kW*
Maximum Static Pressure	10 Bar
Approvals, Complies with	BEAB, CE, BSI Kitemark
Guarantee	2 years

Diagram Key:



Water Entry Points



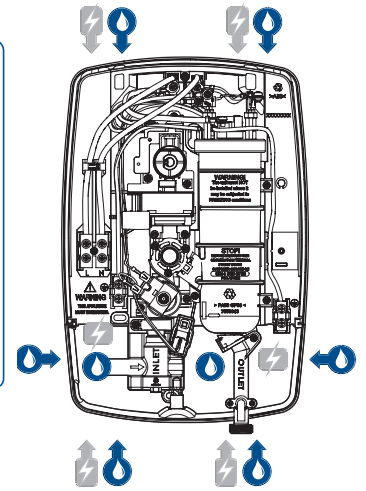
Cable Entry Points

Dimensions:

H: 334mm

W: 225mm

D: 104mm



Riser Rail Kit

Standard version

Length	530mm
Diameter	19mm
Material	Stainless Steel
Finish	Polished
Hose	1.25m Anti-twist Chrome



Lewis Shower Riser Rail
TSKLEWWC

IMPORTANT MAINTENANCE NOTICE

Replacing specified Triton accessories for this T80Z Fast-Fit unit will aid optimum performance and keep the unit within the allocated guarantee period



1.25m Anti-twist Hose - Chrome
TSHG1203



Showerhead (5 Spray Pattern)
TSHE8RCWHT