



Mira Activate High Pressure & Pumped Single Outlet Digital Mixer

Smart, simple showering.

Product Information

Description	Colour	Product No.
Mira Activate, Rear Fed (High Pressure/Combi)	Chrome	1.1903.087
Mira Activate, Rear Fed (Pumped for Gravity)	Chrome	1.1903.091
Mira Activate, Ceiling Fed (High Pressure/Combi)	Chrome	1.1903.086
Mira Activate, Ceiling Fed (Pumped for Gravity)	Chrome	1.1903.090

Features & Benefits

Temperature control

Thermostatic temperature stability with digital intelligence

Digital user interface with temperature display

Maximum temperature setting for increased safety

Easy to fit and maintain

Easy to install, single piece ceiling fed fittings assembly

Rear fed fittings available for wall mounting

Push fit isolators

Serviceable filters

Wired connection between Digital User Interface and Digital Valve

For your customer

Award winning Mira Switch 4 spray showerhead

Mobile app offers secondary control and remote operation

3 user adjustable temperature, flow and duration pre-sets

Eco mode reduces water flow for more responsible water use

Additional wireless remote control sold separately



Product Specification

Tech Details

Installation Units & Fittings

Water Entry Points - Back, Rear Fed; Top, Ceiling Fed

Inlet Connections: 15mm Push Fit (supplied) or 15 mm compression

Data Connection between Digital Valve and User Interface:
Low voltage data cable

Digital Mixer

Inlet Connections: 15mm Push Fit (supplied) or 15 mm compression

Outlet connection: 15mm push fit (supplied)

Supply voltage: 230v +10%

Supply rating: 3 amp fused plug

Supply Conditions (hot and cold)

Minimum maintained pressure: Pumped: 0.01 bar (10 cm head);
High Pressure: 1 bar (10 metre head)

Maximum maintained pressure: Pumped: 1.0 bar (10 metre head);
High Pressure: 5.0 bar (50 metre head)

Maximum static pressure: Pumped: 1.0 bar (10 metre head);
High Pressure: 10.0 bar (100 metre head)

Performance

Minimum Flow Rate -

- 4 L/min for High Pressure Products
- 6 L/min for Pumped Products

High Pressure Products at 1 bar maintained pressure can deliver:

- Handset products up to 10 L/min*
- Overhead products up to 16 L/min*

Pumped Products at 0.01 bar maintained pressure can deliver:

- Handset products up to 10 L/min*
- Overhead products up to 12 L/min*

Default flow rate target: 12 L/min

* Under ideal system conditions. The actual maximum flow will depend on the installation, system conditions and type of fittings. Refer to the 'Installation and User Guide' for more details.

Safety Features

Over temperature shutdown: Yes

Factory set to safe max temp

Approvals

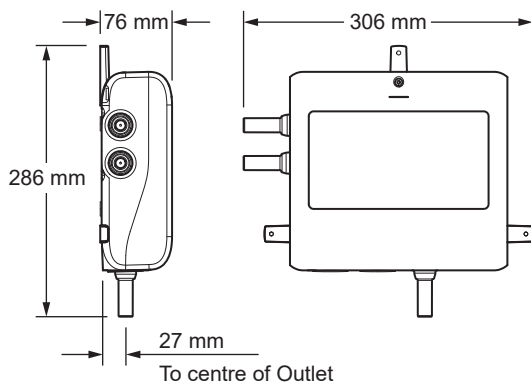
WRAS approved (Water Regulations Advisory Scheme)

TMV2 approved

BEAB approved

Dimensions

High Pressure, Single Outlet



Pumped, Single Outlet

