

Mira Vigour Manual

Power Shower



COLD WATER
CISTERN AND HOT
WATER CYLINDER



1 YEAR GUARANTEE

Instant invigoration.
Thoughtfully designed to
deliver a powerful shower
from a hot and cold low
pressure water system

Product Information

Description	Colour	Product No.
Mira Vigour Manual	White/Chrome	1.1532.354

Features & Benefits

Temperature control

Manual temperature control

Easy to fit

No need to prime

Accepts rising, falling and rear supplies

Easy to service

Removable filters and check valves

For your customer

Separate temperature and flow controls

Suited to homes with a low pressure water system and plentiful supply of hot water

5 spray 9cm showerhead with rub clean nozzles

Robust shower fittings with 1.25m shower hose



Product Specification

Tech Details

Temperature Control

Control type: Manual

Installation

Supply voltage: 230v ± 10%

Supply rating: 3 amp

Terminal Block connections: Maximum 2.5mm²

Water entry points: Left (rising, falling & rear)

Cable entry points: Left (rising, falling & rear)

Inlet connections: 15mm dual entry push fit.
Hot and cold, 28mm pipe centres

Outlet connections: ½" BSP Male

Supply Conditions (hot and cold)

Cold water range: Up to 25°C

Hot water range: 50°C - 65°C max (recommended)

Minimum maintained pressure: 0.01 bar (100mm head)

Maximum maintained pressure: 0.5 bar (5 metre head)

Maximum static pressure: 1.0 bar (10 metre head)

Performance

Flow rate: Max - 12 l/min, Min - 6 l/min

Accessories

Wide range of accessories available at www.mirashowers.co.uk

Approvals

CE approved

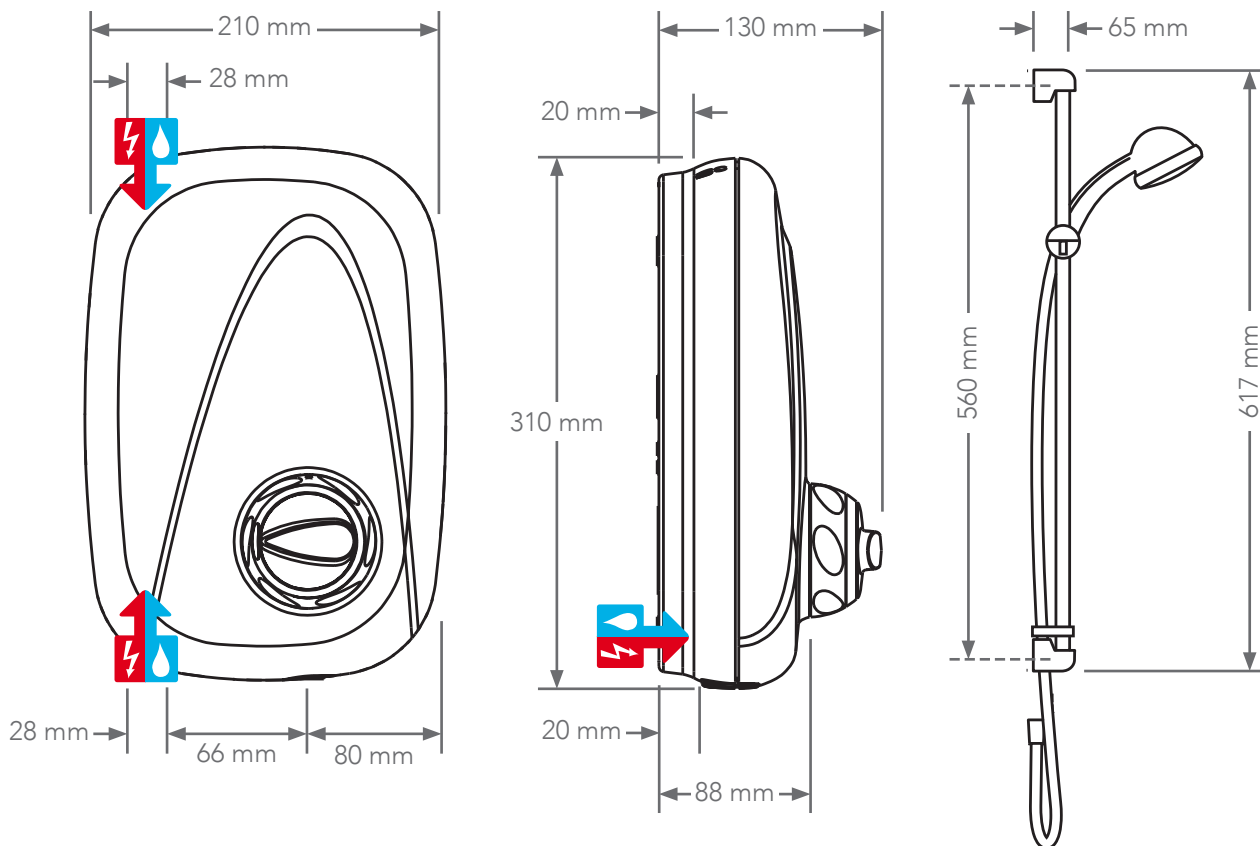
BEAB approved

Kiwa certified

WRAS approved (Water Regulations Advisory Scheme)



Dimensions



mira
SHOWERS