

Mira Event XS Thermostatic Power Shower



COLD WATER
CISTERN AND HOT
WATER CYLINDER



1 YEAR GUARANTEE

Safe, powerful showering combined with practical features. Ideal for a low pressure water system.

Product Information

Description	Colour	Product No.
Mira Event XS Thermostatic	White/Chrome	1.1532.400

Features & Benefits

Temperature control

Thermostatic temperature control for safer showering

Easy to fit

No need to prime

Accepts rising, falling and rear supplies

Easy to service

Removable filters and check valves

For your customer

Separate flow and temperature controls including start/stop button to help you fine tune your perfect shower

Suited to homes with a low pressure water system and plentiful supply of hot water

4 spray 11cm showerhead with rub clean nozzles for easy cleaning

Robust shower fittings with 1.25m shower hose



Product Specification

Tech Details

Temperature Control

Control type: Thermostatic

Installation

Supply voltage: 230v ± 10%

Supply rating: 3 amp

Terminal Block connections: Maximum 2.5mm²

Water entry points: Left (rising, falling & rear)

Cable entry points: Left (rising, falling & rear)

Inlet connections: 15mm dual entry push fit.
Hot and cold, 28mm pipe centres

Outlet connections: ½" BSP Male

Cistern: Minimum 230 litres

Supply Conditions (hot and cold)

Cold water range: Up to 25°C

Hot water range: 50°C - 65°C max (recommended)

Minimum maintained pressure: 0.008 bar (80mm head)

Maximum maintained pressure: 0.5 bar (5 metre head)

Maximum static pressure: 1.0 bar (10 metre head)

Performance

Flow rate: Up to 16 l/min per minute

Temperature stability: ± 2°C

Safety Features

Phased shutdown: Yes

Factory set to safe max temp: Yes

Accessories

Wide range of accessories available at www.mirashowers.co.uk

Approvals

CE approved

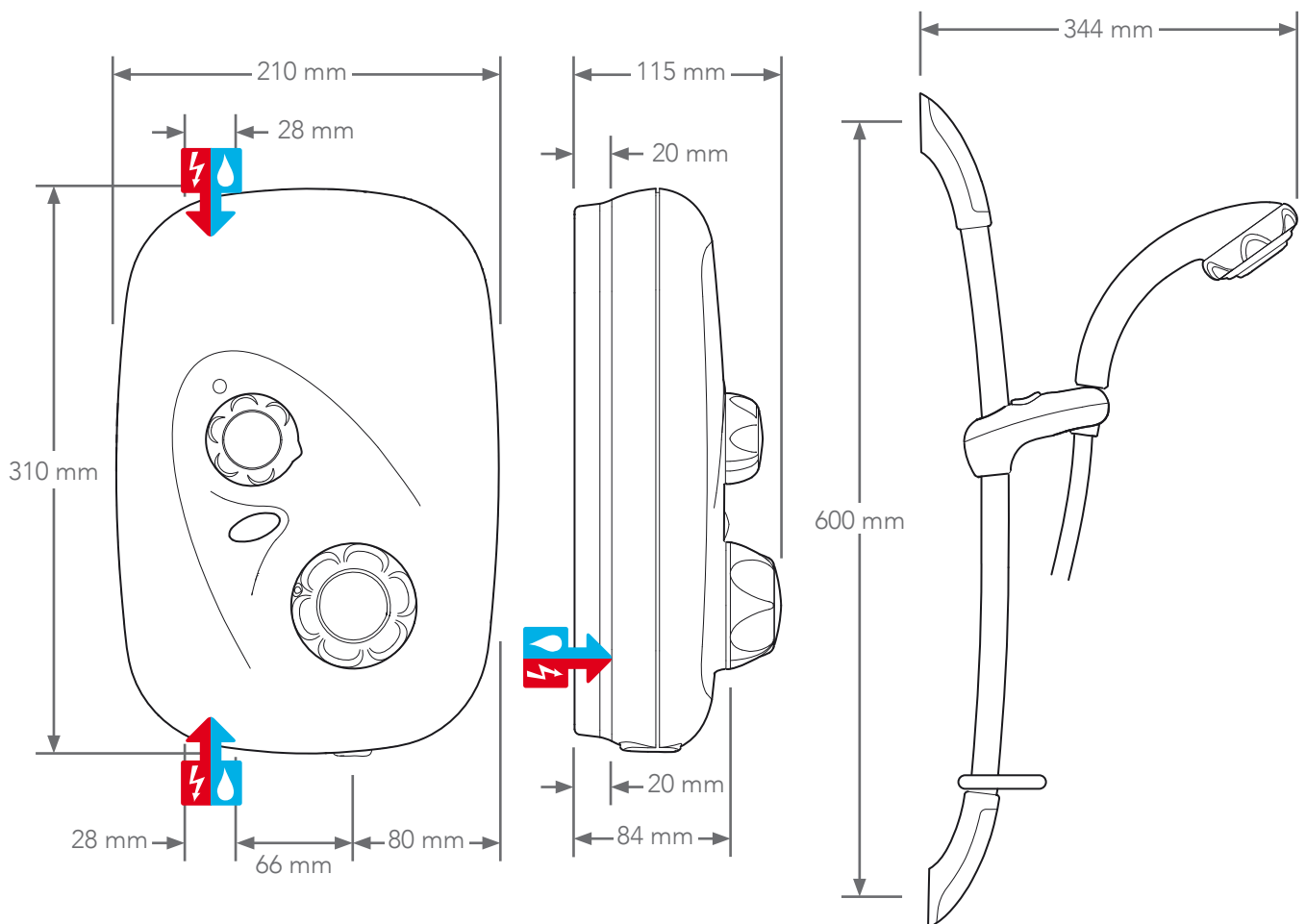
BEAB approved

Kiwa certified

WRAS approved (Water Regulations Advisory Scheme)



Dimensions



mira
SHOWERS