

Mira Excel

Mixer Shower Range

Unbeatable on all pressures, the Mira Excel is the UK's number one mixer shower.



SUITABLE FOR ALL SYSTEMS



5 YEAR WARRANTY

Product Information

Description	Colour	Product No.
Mira Excel EV	Chrome	1.1518.300
Mira Excel BIV	Chrome	1.1518.303
Mira Excel BIR	Chrome	1.1518.307
Mira Excel Exposed Valve Only	Chrome	1.1518.309
Mira Excel Built-in Valve Only	Chrome	1.1518.311

Features & Benefits

Temperature control

Thermostatic temperature stability

Easy to fit

Quickly and easily fits onto reversed inlet supplies

EV has adjustable inlets (150-155mm)

Easy to service

Large, long-life filters and replaceable cartridge

For your customer

Separate flow and temperature controls

Maximum temperature stop – enhances safety (comfort override)

Ceramic flow control resists limescale

Mira Magni-flo™ technology delivers up to 3x more flow, even at low pressure

Unrivalled performance on any pressure

4 spray 9cm showerhead with rub-clean nozzles (except BIR which has one single spray)



Mira Excel EV

Mira Excel BIR

Mira Excel BIV

Product Specification

Tech Details

Temperature and flow control

Control type: Thermostatic

Installation

Water entry points: Rising, falling or rear

Inlet connections: 15 mm compression (EV, BIV & BIR)

Outlet connections: 1/2" BSP Male Flat Face (EV) or 15mm compression (BIV & BIR)

Reversed inlets supported: Yes

Supply Conditions (hot and cold)

Cold water range: Up to 25°C

Hot water range: 50°C-85°C (operating); 55°C-65°C (recommended)

Minimum maintained pressure: 0.1 bar (1 metre head)

Maximum maintained pressure: 5.0 bar (50 metre head)

Maximum static pressure: 10.0 bar (100 metre head)

Performance

Flow rate (at handset): 13 l/min at 0.5 bar

Temperature stability: ± 1°C

Safety Features

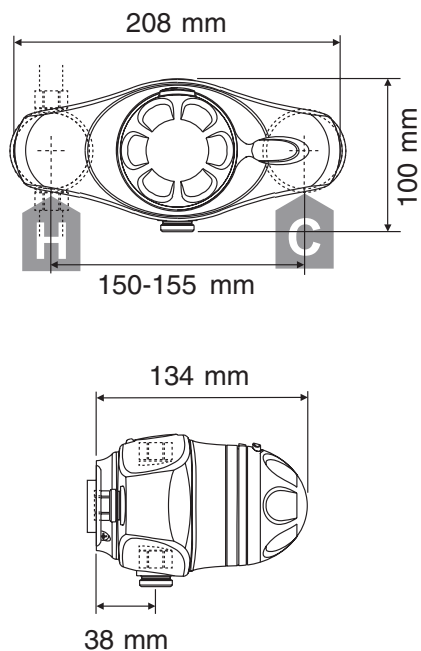
Automatic shutdown: Shutdown within 2 secs

Factory set to safe max temp: Factory set to 41°C (maximum 46°C)

Adjustable maximum temperature for on-site conditions

Dimensions

Exposed Valve



Built-in Valve

