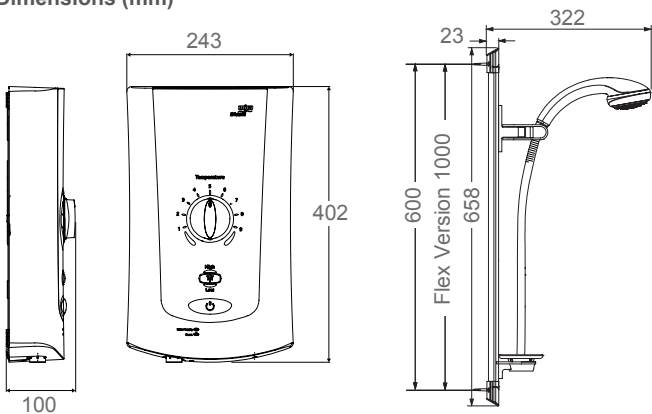


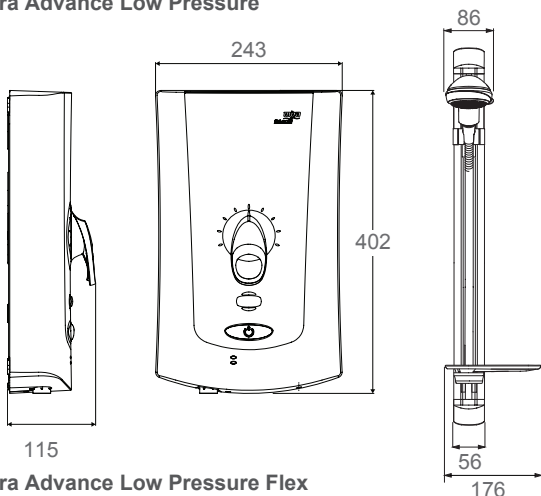
MIRA ADVANCE LOW PRESSURE THERMOSTATIC ELECTRIC SHOWER

- Pumped electric shower - the ideal choice for low pressure sites.
- Thermostatic temperature stability keeps showering safe for all.
- Separate flow and temperature controls with push button start/stop and audible beeps.
- BEAB Care approved for safe showering in all applications.
- Four spray showerhead with rub clean rubber nozzles for easy cleaning.
- Slide bar with easy glide operation. Friction clamp bracket for easy one-hand operation and height adjustment. Extra long slide bar and parking socket for Flex version.
- Best in class limescale resistance.

Dimensions (mm)



Mira Advance Low Pressure



Mira Advance Low Pressure Flex

Model shown:
Mira Advance Flex Low Pressure



Specify as: Mira Advance Low Pressure 9.0 kW (1.1759.001)
BEAB Care approved thermostatic electric shower with integrated pump for low water pressure. Adjustable temperature limit with 8 different pre-set maximum temperatures. Supplied with slide bar and four spray handset.

Specify as: Mira Advance Flex Low Pressure 9.0 kW (1.1759.003)
BEAB Care approved thermostatic electric shower with integrated pump for low water pressure. Adjustable temperature limit with 8 different pre-set maximum temperatures. Supplied with large on/off buttons, colour contrasting rotary lever, and extended slide bar with four spray handset.

Kohler Mira Limited
Cromwell Road
Cheltenham
Gloucestershire
GL52 5EP

Specification Enquiries
Tel: 0844 571 5000 Fax: 01242 282595
Email: technical@mirashowers.com
www.mirashowers.co.uk

mira
SHOWERS

TECHNICAL SPECIFICATION

Installation and Maintenance

Please refer to the appropriate Installation and User Guide.
The plumbing installation must comply with the requirements of UK Water regulations/ Bye-laws (Scotland) or any other regulations specified by the local water company or water undertakers.

Plumbing Systems

Compatible with cold water cisterns only. **Do not** connect to mains supply.

Connections

Inlets: 15 mm compression fitting, from the top, or back.
Outlet: ½" BSP male.
A full bore non-restrictive isolation valve must be included in the water supply pipe to the appliance.

Approvals

Complies with relevant European directives for CE marking.
BEAB approved.
BEAB CARE approved.
RNIB endorsed (Flex only).
WRAS approved (Water Regulations Advisory Scheme).
Designed, manufactured and supported in accordance with accredited BS EN ISO 9001:2008 Quality Management Systems and BS EN ISO 14001:2004 Environmental management systems.

Operation

The Mira Advance Low Pressure works by regulating the flow of water over the heating elements contained in the heater tank of the shower unit.
A flow button allows adjustment for high or low flow operation.

Materials

Case, cover and internal assemblies: Engineering plastics and polymers.

Temperature Range

The Mira Advance Low Pressure is a thermostatic electric shower. It will compensate for: changes in the temperature of the incoming water supply, temperature changes due to variation in the mains electrical voltage and variations in the pressure of the water supply. The set temperature is controlled typically to within $\pm 1^{\circ}\text{C}$. Maximum temperature is set at 48°C but can be reset to eight different maximum temperatures from 37°C - 48°C .
BEAB CARE. The maximum setting can be adjusted to comply with the requirements of BEAB CARE.

Supply Conditions

Minimum ambient temperature: **2°C**.
Maximum ambient temperature: **30°C**

Pressures

Minimum head pressure: **80 mm**

Electrical

The appliance must be earthed.
The appliance must be installed to comply with BS 7671.
A 30 mA Residual Current Device (RCD) MUST be included in the electrical circuit.
A 45 Amp double-pole isolation switch must be included in the electrical supply.
In accordance with the current edition of the (Safety) Regulations' in force at the time of installation, this appliance is intended to be permanently connected to the fixed electrical wiring of the mains system. This appliance requires a 40 Amp supply fuse (9.0 kW).

Kohler Mira Limited
Cromwell Road, Cheltenham
Gloucestershire, GL52 5EP

Specification Enquiries
Tel: 0844 571 5000, Fax 01242 282595
Email: technical@mirashowers.com
www.mirashowers.co.uk

Mira is a registered trademark of Kohler Mira Limited.
The company reserves the right to alter product specification without notice.
© May 2011 Kohler Mira Limited. All rights reserved.
No part of this document, or any accompanying document, may be reproduced or transmitted in any form or by any means, including photocopying or electronically, without the permission of Kohler Mira Limited.

A **KOHLER** COMPANY

