

Mira React BSM

Thermostatic Bath Shower Mixer
(Deck Mounted)



SUITABLE FOR ALL SYSTEMS



5 YEAR WARRANTY

The perfect blend of easy accessibility, precision technology and understated style.

Product Information

| Description | Colour | Product No. |
|--------------------------------------|--------|-------------|
| Mira React Deck Mount BSM | Chrome | 1.1900.019 |
| Mira React Deck Mount BSM Valve Only | Chrome | 1.1900.020 |

Features & Benefits

Temperature control

Thermostatic temperature stability

Easy to fit

Standard deck mount, easy fit elbows

Slide bar with adjustable fixing centres (400 - 520 mm)

For your customer

Compatible with all systems, even at low pressure

Separate flow and temperature controls

Deck mount elbows allow bath-edge installation

Temperature control has maximum temperature stop for increased safety (with override for a hotter shower)

Flow control incorporates diverter to allow easy switch between shower and bathfill

Mira Cool Shield™ to ensure valve doesn't get hot to touch during use

One spray 9cm showerhead with rub-clean nozzles

1.75m flexible shower hose



Product Specification

Tech Details

Temperature and flow control

Temperature control type: Thermostatic

Flow control type: Ceramic

Installation

Deck mounted easy fit elbows, supports 2nd fix valve installation.

Inlet connections: 3/4" BSP male under bath connections to pipework;
3/4" BSP connection to mixer shower

Outlet connections to shower: 1/2" BSP Male

Reversed inlets supported: No - hot left, cold right only

Supply Conditions (hot and cold)

Cold water range: 1°C to 25°C

Hot water range: Min 55°C; 60°C - 65°C (recommended)

Minimum maintained pressure (gas water heater) :
1 bar (10 metre head)

Minimum maintained pressure (gravity system) : 0.1 bar (1 metre head)

Maximum maintained pressure: 5.0 bar (50 metre head)

Maximum static pressure: 10.0 bar (100 metre head)

Performance

Flow rate (at handset): 9 l/min at 0.5 bar

Flow rate (at bath outlet): 15 l/min at 0.6 bar

Flow regulator: 6 l/min (for handset only, supplied with product)

Temperature stability: $\pm 2^\circ\text{C}$

Safety Features

Automatic shutdown: Shutdown within 2 secs

Factory set to safe max temp: 39°C at maximum temperature stop
(ideal for showering), 46°C using override (ideal for bathfil)*

Adjustable maximum temperature for on-site conditions

Approvals

KIWA UK approved product

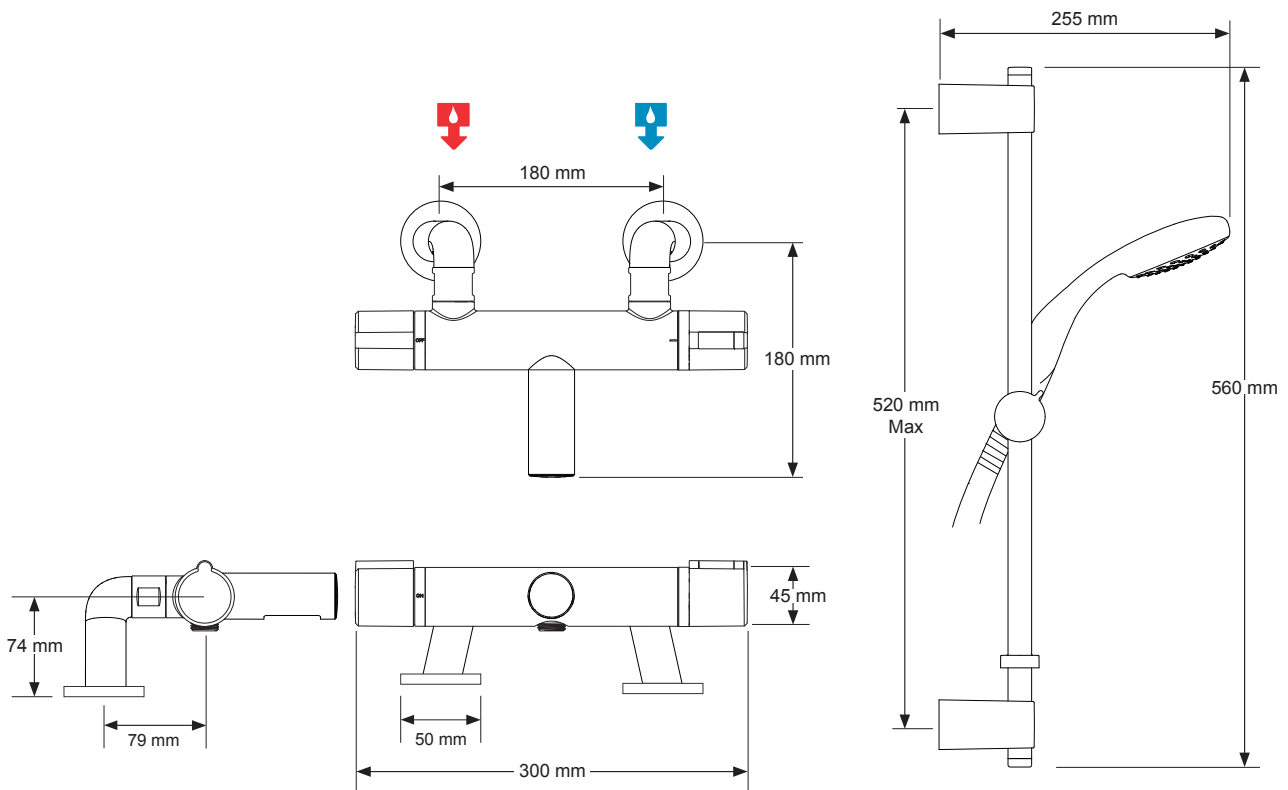
WRAS approved (Water Regulations Advisory Scheme)

TMV2 approved product



*Preset to a safe temperature under ideal conditions at the factory, appropriate for most systems. Site conditions and personal preference may make it necessary to reset this temperature.

Dimensions



mira
SHOWERS