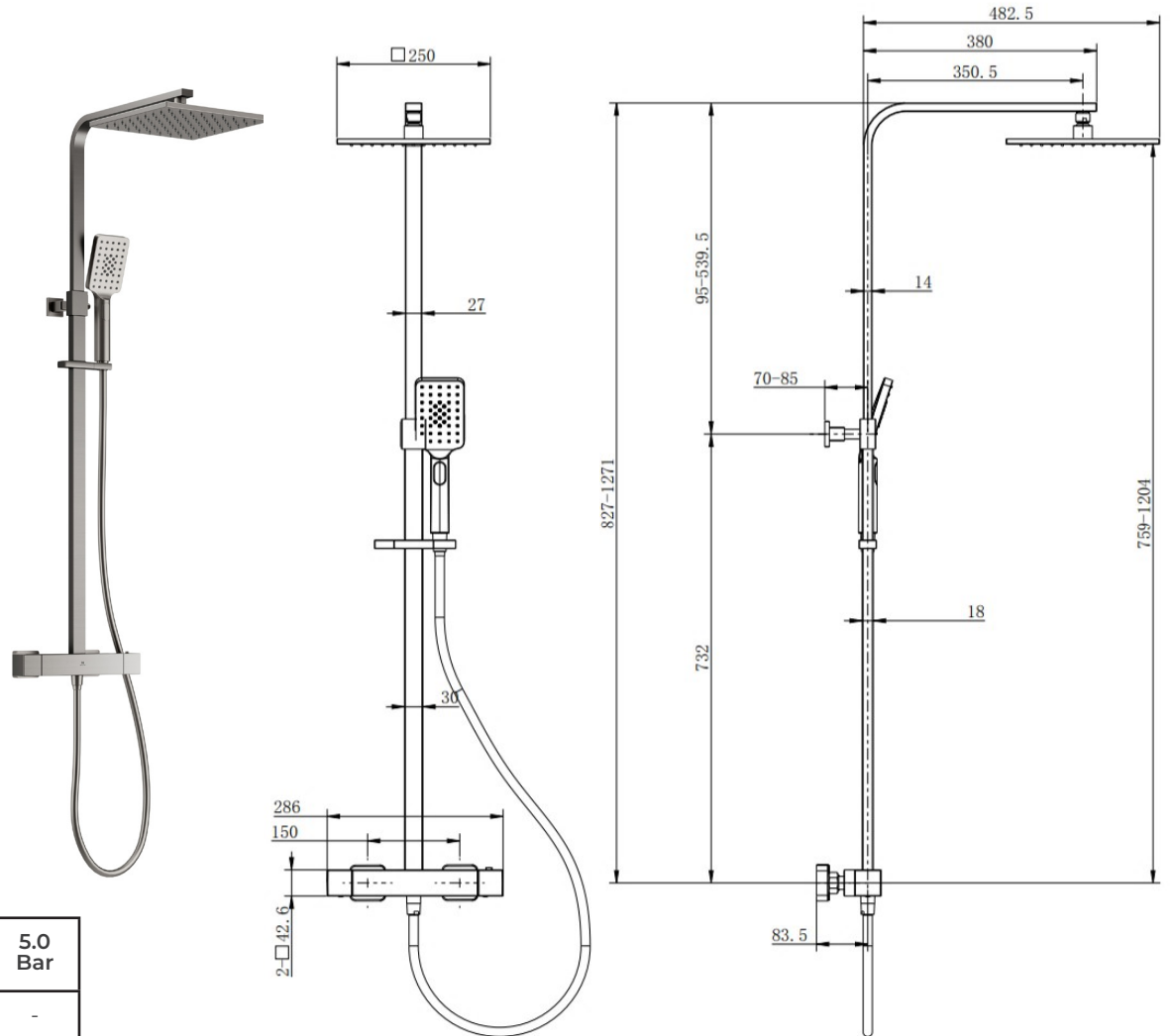


Dayla Exposed Thermostatic Shower - Gun Metal

CONSTRUCTION	Valve: High Performance Polyamide (PPA) Body & Zinc-alloy Casing; SS201 Stainless steel Riser rail & Base plates; Zinc-alloy Handles
FINISHES	Gun Metal PVD Finish
PRODUCT TYPE	Contemporary
WATER PRESSURE	Min. 1.0 bar, Max. 6.0 bar
PLUMBING SYSTEMS	Suitable for all plumbing systems, preferably balanced. Min. supply pressure differential requirement is 5:1
STANDARDS	Complies with BSEN 1111
CERTIFICATION	Manufactured to comply with WRAS & TMV2
CARTRIDGE	On/Off Cartridge - Wanhai Thermostatic Cartridge - Wanhai
FITTING	Easy Fit Kit Brass G1/2" BSP Male bottom outlet & G3/4" BSP Male upper outlet connection
ADDITIONAL INFORMATION	Temperature Pre-set 38°C, with push button to override to 48°C Automatic shut off in the event of hot or cold water supply failure COOL Touch Bar Valve Technology 1.5m Premium Antibacterial PVC Hose Triple Function Push Button Handset



Flow Rates (Litres per minute)

SYSTEM PRESSURE	0.1 Bar	0.2 Bar	0.3 Bar	0.5 Bar	1.0 Bar	1.5 Bar	2.0 Bar	3.0 Bar	4.0 Bar	5.0 Bar
	4.5	6.5	8.1	10.6	15.2	-	-	-	-	-

The information contained on this page was correct at date of issue. Fitting dimensions are provided as a guide only. Some variation may occur due to manufacturing tolerances. We pursue a policy of continuing improvement in design and performance of our products and so reserve the right to change specifications without prior notice.