

Product information

AS2000SR

Silent Running Thermostatic Power Shower

TRITON THE UK'S SHOWER COMPANY

For a cleaner conscience



AS2000SR



For a cleaner conscience

Silent Running Thermostatic Power Shower

Shower

Triton's **NEW** silent running thermostatic power shower is so quiet that when the water is running, you won't hear the pump, and as such has been awarded the Quiet Mark award of approval. The AS2000SR is the perfect solution for those with low pressure systems, providing a great flow rate of up to 14 litres per minute. Its continuous running performance ensures there is no waiting around in between showers for busy families.

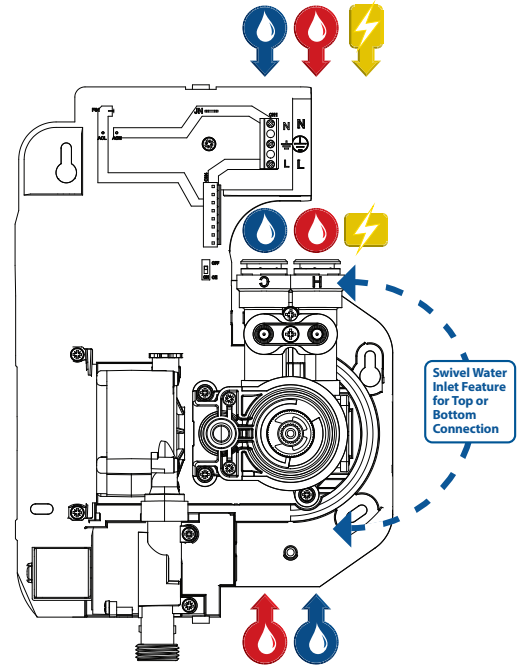
- Easy to use start/stop button
- **Thermostatic control** constantly regulates the temperature providing you with precise control and a safer showering experience
- **Adjustable maximum temperature stop** reduces the risk of accidentally turning the temperature too high
- **Multiple cable and water entry points** including the Triton **Swivel Fit Water Inlet**, enabling top, rear or bottom entry for ease of installation
- **Larger footprint** makes it an ideal replacement for existing Triton power shower models
- Large **3 mode**, rub clean shower head
- **1.25m** anti-twist hose
- **1 year guarantee**, full parts and labour

Diagram Key:

- H & C Water Entry Points
- Cable Entry Points

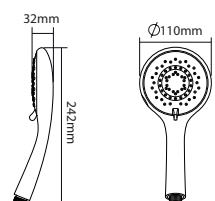
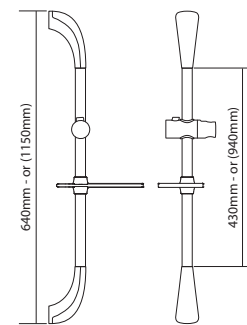
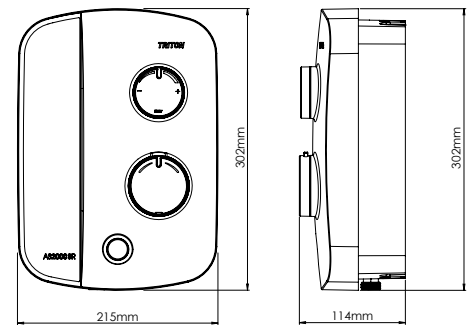
Dimensions:

- H: 292mm
- W: 219mm
- D: 115mm



Features

Temperature Control	Thermostatic
Supply source	Gravity fed cold and hot supplies only
Cold water cistern minimum	115 litres
Inlet Connection	15mm dual entry push fittings
Outlet connections	1/2" BSP
Pipe Centres	26mm
Minimum static inlet pressure	0.0075 bar (75mm head)
Maximum static inlet pressure	1.0 bar (10m head)
Isolating valves	Full way type MUST be installed. Pipework layouts and connections MUST be such that other draw-offs will not affect water supplies to the shower
Electrical Supply voltage	230v/240v
Supply rating	3 amp
Minimum cable size	0.75mm two core L-N
RCD unit	A 30mA residual current device must be installed (either part of the consumer unit or separate). This shower must be permanently connected to a 3 amp fused connection unit and be provided with means for disconnection
Shower performance	Up to 14 litres per minute



Product Codes

AS2000SR Thermostatic Power Shower | TAS2000SR

