

# Mira Advance Flex

Thermostatic Electric Shower

Thoughtfully designed.



## Product Information

Description	Colour	Product No.
Mira Advance Flex 8.7kW	White/Chrome	1.1785.003
Mira Advance Flex 9.8kW	White/Chrome	1.1785.004

## Features & Benefits

### Temperature control

Reduces risk of scalding and ensures user safety

### Easy to fit

Simple set up means a fast and hassle-free installation

### Easy to service

Easy filter access

Built in fault diagnostics

### For your customer

Easily accessible controls free from clutter with high contrast on critical touch points. RNIB Approved Gold awarded

Large easy press power button

Audible and tactile features for the visually impaired user

Light touch controls

4 different maximum temperature settings

Mira Opti-flo Pro™ technology for consistent performance

Mira Clearscale Pro™ technology that reduces limescale build up, meaning Mira Advance will outlast the competition

Anti-glare matte finish panel

Extra long easy to use slide bar with patented friction-grip showerhead holder

110mm showerhead with 3 spray modes

Easy clean removable spray plate

# Product Datasheet

## Tech Details

### Temperature control

Control type: Thermostatic

### Installation

Power options: 8.7kW 240V AC (8.0kW 230V AC);  
9.8kW 240V AC (9.0kW 230v AC)

Supply voltage: 230v  $\pm$  10%

Supply rating: 40 amp (8.7kW); 45 amp (9.8kW)

Terminal Block connections: Maximum 16mm<sup>2</sup>

Water entry points: Right (rising, falling & rear)

Cable entry points: Right (rising, falling & rear)

Inlet connections: 1/2" BSP male or 15mm compression

Outlet connections: 1/2" BSP Male

### Supply Conditions

Minimum maintained pressure: 0.5 bar (5 metre head),  
(1.0 bar BEAB Care)

Maximum maintained pressure: 5.0 bar (50 metre head)

Maximum static pressure: 10.0 bar (100 metre head)

### Performance

Temperature stability:  $\pm$  1°C

### Safety Features

Phased shutdown: Yes

Factory set to safe max temp: Adjustable to 4 different max temp settings (41°C - 48°C)

### Accessories

Wide range of accessories available at [www.mirashowers.co.uk](http://www.mirashowers.co.uk)

### Approvals

BEAB CARE approved

BEAB approved

Energy Efficiency: Class A

RNIB Approved Gold awarded

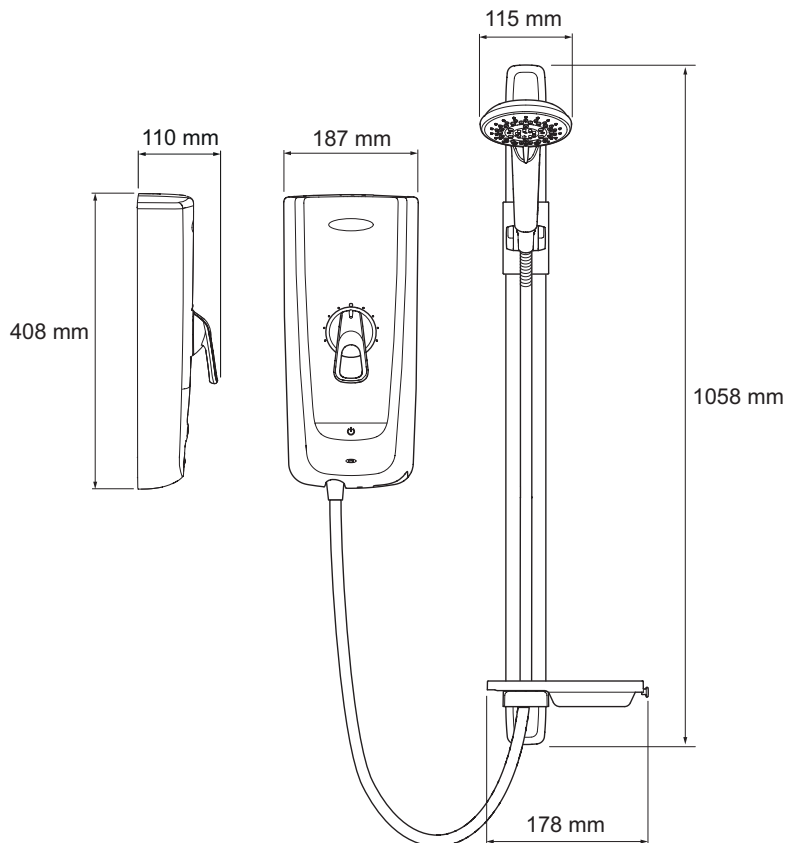
Kiwa certified

WRAS approved



Intertek

## Dimensions



**mira**  
SHOWERS