

# Widvine CAS

# Widevine CAS

**Widevine empowers next-generation video operators by providing a free-to-use solution within the pay-TV infrastructure, including :**

- 1 Widevine Devices**
  - Trusted Widevine Device Security
  - Leverage World-Leading Device Footprint
  - Proven OEM and SoC Integration Track
- 2 Widevine Hybrid**
  - CAS and OTT device footprint
  - Free Clients for All Platforms
  - Rapid Android TV Integration via MediaCAS API
- 3 Widevine Provisioning**
  - Scalable and flexible SDK
  - Available for any middleware
- 4 Widevine Licenses**
  - No License Fees
  - Scalable and flexible SDK
  - Entitlement Generation
  - Comprehensive rules

# Widevine CAS Features

Description	Supported?
<b>ECM Generator (content encryption)</b>	Yes (SDK or Cloud)
<b>EMM Generator (license)</b>	Yes (SDK or Cloud)
<b>Device Provisioning</b>	Yes (SDK or Cloud)
<b>Device or Subscriber Management</b>	No
<b>IPTV (MPEG2-TS)</b>	Yes
<b>Widevine Security Level</b>	L1
<b>4K / UHD</b>	Yes

# Widevine CAS Features

Description	Supported?
<b>DVB</b>	Q1 2019
<b>Simulcrypt</b>	Q1 2019
<b>DTH</b>	Q1 2019

# Widevine for Android TV - DRM and CAS

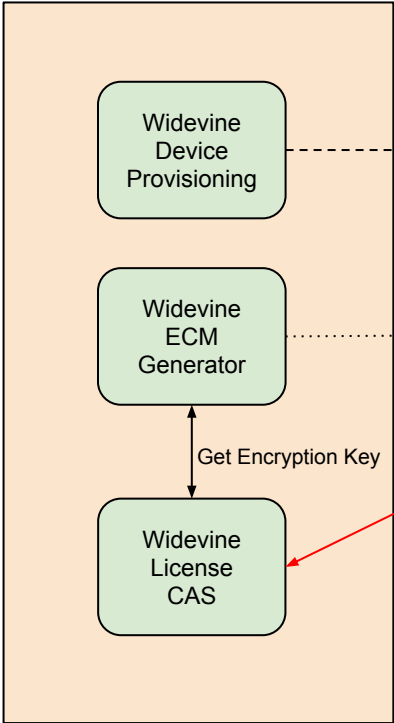
	<b>Widevine CAS</b>	<b>Widevine DRM</b>
<b>Android API</b>	<a href="#">MediaCas</a> (API level 26)	<a href="#">MediaDrm</a> (API level 18)
<b>Cost</b>	No fees (\$0)	No fees (\$0)
<b>Required or Optional</b>	Optional	Required
<b>Minimum OEMCrypto</b>	OEMCrypto for CAS (v14)	OEMCrypto v14 (Android P)
<b>Availability</b>	Now (Android P)	Per Android version
<b>Widevine Security Level</b>	L1	L1
<b>4K / UHD</b>	Yes	Yes
<b>SoC</b>	Amlogic Broadcom HiSilicon	All

# Widevine for Android TV - DRM and CAS

	<b>Widevine CAS</b>	<b>Widevine DRM</b>
<b>Server (Cloud or SDK)</b>	No fees (\$0)	No fees (\$0)
<b>Per Client Fee</b>	No fees (\$0)	No fees (\$0)
<b>Per Client (VOD)</b>	No fees (\$0)	No fees (\$0)
<b>Per Client (Live)</b>	No fees (\$0)	No fees (\$0)
<b>Device Certification Fee</b>	No fees (\$0) Pass GTS / GTVS	No fees (\$0) Pass GTS / GTVS
<b>Integration Fee</b>	Varies (per 3rd-party integrator)	Varies (per 3rd-party integrator)
<b>Support Fee</b>	Varies (per 3rd-party integrator)	Varies (per 3rd-party integrator)

# Workflow

## Pay TV Operator or Cloud

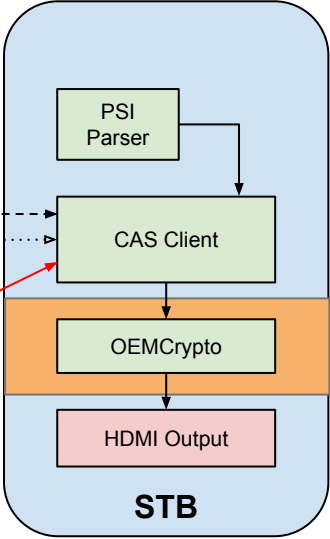
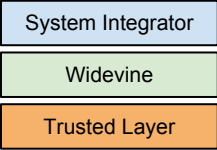


CAS Provisioning

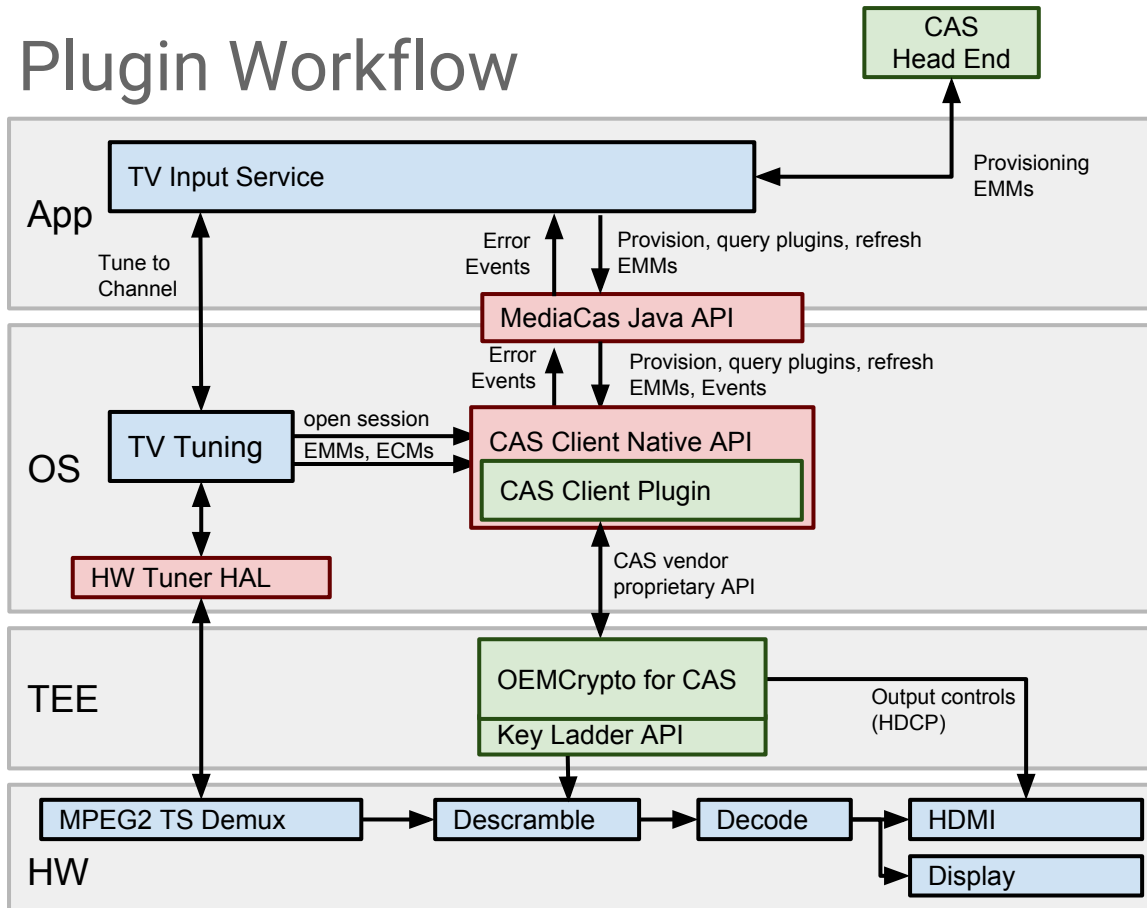
Encrypted Stream

Get Entitlement

## Legend



# CAS Plugin Workflow



- Existing Component
- Widevine
- MediaCas Framework



# Q&A

<b>Question</b>	<b>Answer</b>
Encryption Type	AES-128, CTR or CBC  Keys are determined by packaging (encoding) solution.
Client Security	Widevine Level 1 requires hardware-backed TEE implementation with secure video path (decrypt and decode) including output protection (minimum of HDCP)
Usage Rules and Business Policies	Durations (SVOD, TVOD, Live use-cases) Output Controls (Analog, Digital)
Device Certification	Widevine CAS and Widevine DRM validation and certification is part of GTVS, required to pass.

# Q&A

<b>Question</b>	<b>Answer</b>
Is Widevine CAS commercially available?	Yes. Requires Android TV P.
Are there studio approvals for Widevine CAS?	Widevine CAS is identical to Widevine DRM on Android TV = Widevine Level 1  Enables approvals for 4K, HDR and more.
What is needed to make a POC?	Supported SoC Android TV P Encrypted Stream Widevine Cloud Credentials

# Q&A

<b>Question</b>	<b>Answer</b>
What are the additional E2E requirements?	Channel management Device Subscriber management Encoding workflow
Can it be used with Simulcrypt and other CAS systems?	Simulcrypt is not supported at this time, coming with DVB support.
Does it only work with Android TV?	Widevine CAS is exclusive to Android TV platforms. DVB support is coming next year.

# Obtaining Widevine CAS

- OEMCrypto for CAS
  - Target Partner: Chipset Vendor
  - From Widevine Partner OEMCrypto repository
  - Contact **widevine@google.com**
- MediaCAS plugin
  - Target Partner: Device Manufacturer
  - From AndroidTV Partner repository
  - Contact your **ATV TAM or BD**