



GP 微電腦快速乾燥機

GP Microprocessor Controlled High Speed Dryer



GP 微電腦快速乾燥機適用如下:

1. 射出量小的生產
2. 押出量小的生產
3. 經常性換料生產



GP microprocessor controlled high speed dryer is suitable for below items.

1. Small injection molding production.
2. Small extruding production.
3. Frequently changing plastic production

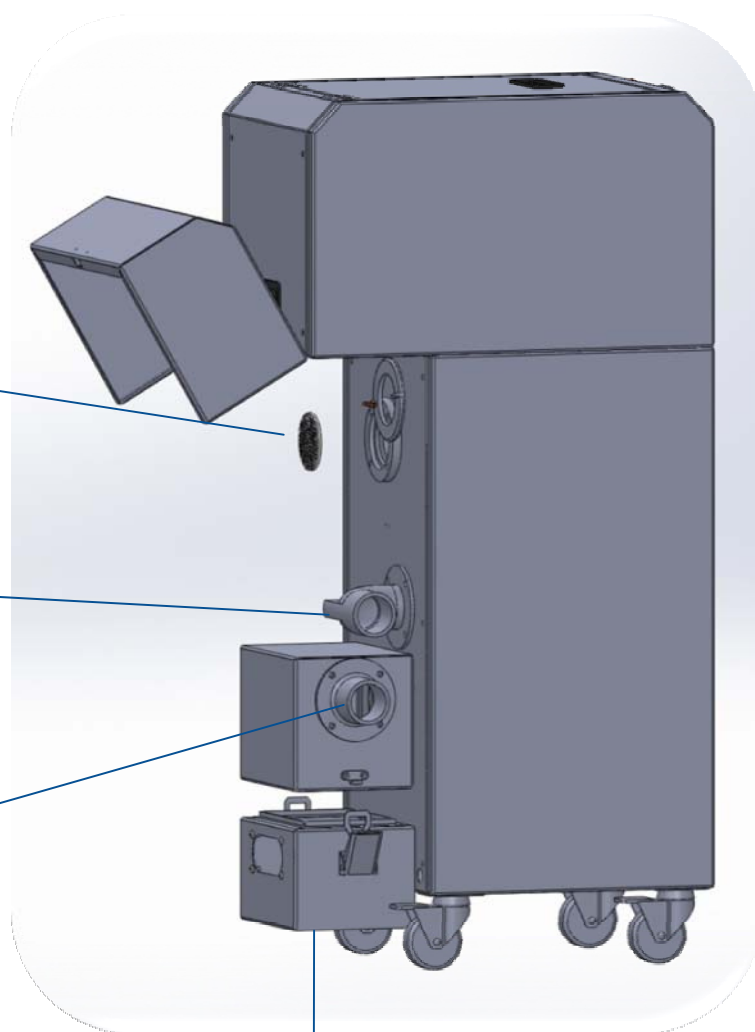
GP乾燥機系列-結構

GP Dryer Series- Structure

隱藏式過濾網
Concealed Filter

乾燥的風送至料桶
Drying wind send to hopper.

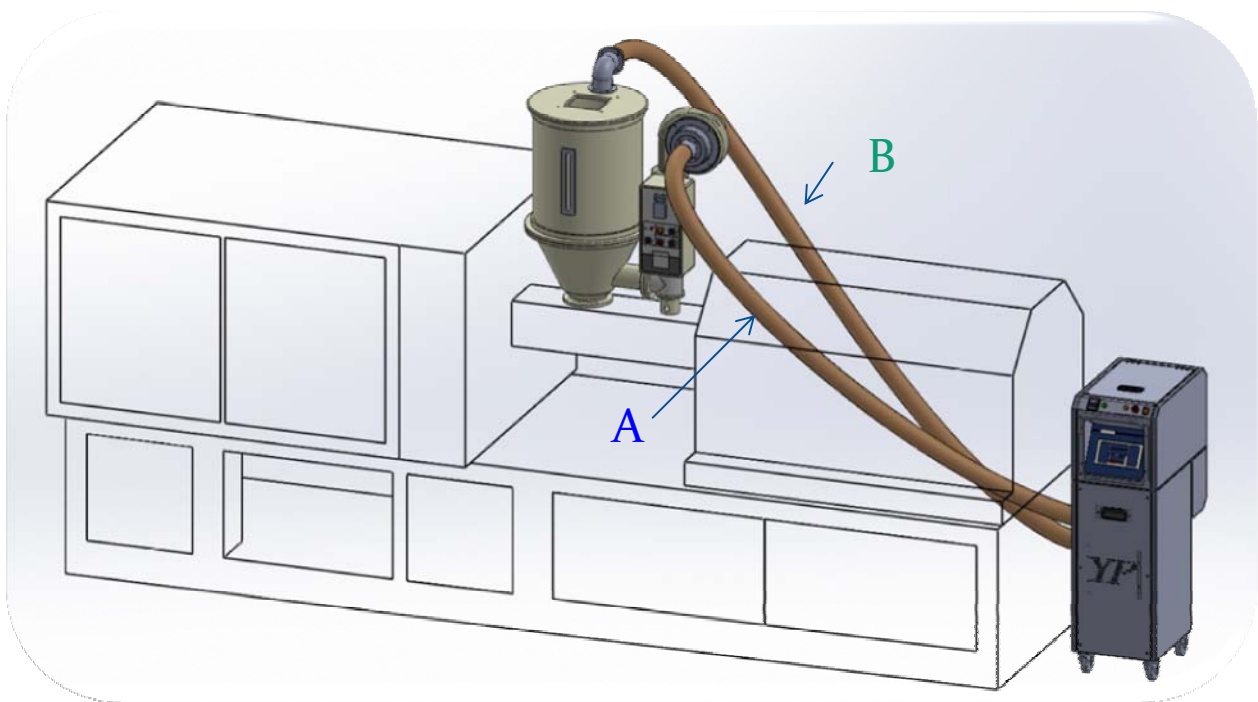
雜質和潮溼的風送至集塵器
Impurities and moist wind
send to dust collector.



此為集塵器，用來收集料桶所排出的雜質
This is dust collector.
In to order to collect impurities
which discharged from hopper.

GP乾燥機系列-示意圖

GP Dryer Series -Schematic diagram



A: YP乾燥機送乾燥的風送至料桶中
A: YP dryer send drying wind into
hopper.

B:雜質和含有濕度的空氣送入集塵盒中
B:Impurities and air of comprising
humidity send into dust collector.

YP 快速乾燥機適用在各種射出機或押出機上
YP high speed dryer is suitable for all kinds of injection
molding machine or extruder machine.



GP 微電腦快速乾燥機規格表 GP Microprocessor High Speed Dryer Specification

型式 Model		HS-025GP	HS-050GP	HS-100GP	HS-200GP
乾燥風量 (m3/hr) Drying wind rate		30	50	100	180
總瓦特數 (kw) Total wattage		2.59	3.20	4.25	6.40
尺寸 Size (mm)	寬度 Width	360	360	395	395
	深度 Depth	750	750	780	780
	高度 High	1180	1180	1332	1332
重量 Weight(kg)		66.2	68.0	97.5	115.0

*此機台為連續式適用於所有塑料、生產用、實驗室

*This machine is continuous and suitable for all plastics ,production, and laboratory.



YP 快速乾燥機

YP High Speed Dryer

省錢 Save Money
快速 High Speed
節能 Save Energy

燁品企業有限公司
電話 :+886-3-409-0577
傳真 :+886-3-409-3381
網址 :www.ye-pin.com.tw
國內聯絡e-mail : yepin.com@msa.hinet.net
國外聯絡e-mail : weian@ye-pin.com.tw

YE PIN CO., LTD.
TEL:+886-3-409-0577
FAX:+886-3-409-3381
Website :www.ye-pin.com.tw
Domestic contact e-mail: yepin.com@msa.hinet.net
Foreign contact e-mail: weian@ye-pin.com.tw