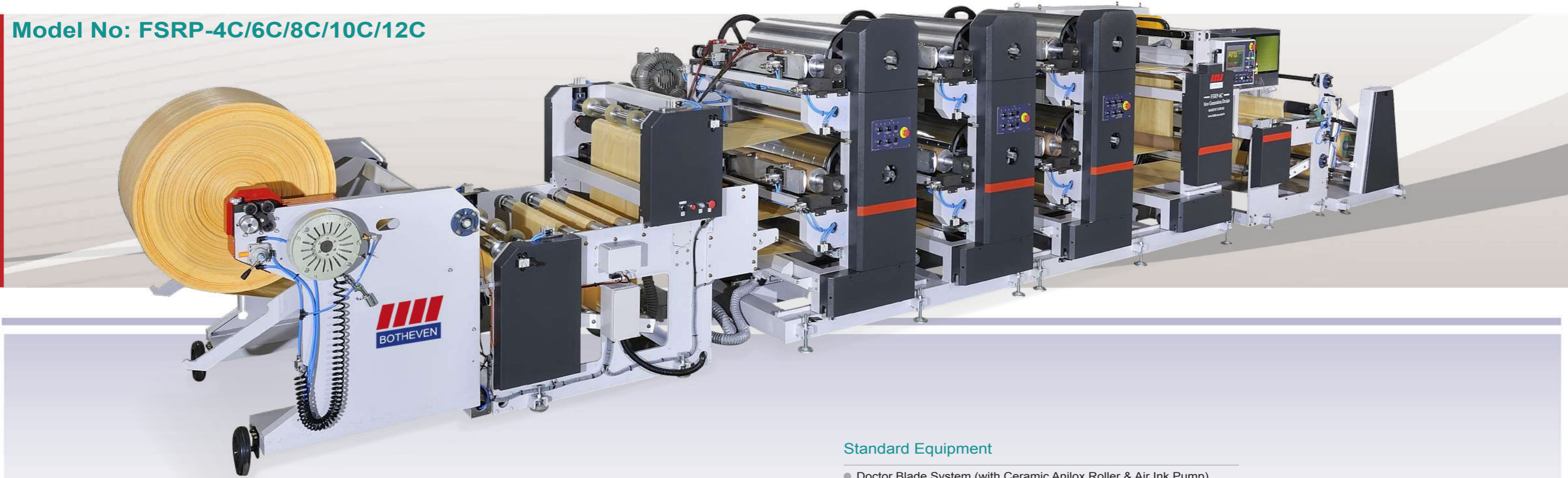


NO CYLINDER CHANGING

REEL TO REEL FLEXOGRAPHIC PRINTING LINE

PP/PE WOVEN BAG
Rear Processing Machinery

Model No: FSRP-4C/6C/8C/10C/12C



Main Feature

- Equipped Servo Motors for Precise Printing Graphic and Printing Length Control.
- On-line Servo Control Printing Position Registration System (with Touch Screen Operation).
(Each printing station equipped with servo motor to adjust printing position during machine running)
- Equipped with Doctor Blade System and Ceramic Anilox Roller as Standard Equipment.
- Optional On-line Camera Inspection (Italy made) Two Units, Monitoring Printing Quality during Machine Running.

Optional Equipment

- Corona Treatment
- On-line Inspection System (Italy Made)

Standard Equipment

- Doctor Blade System (with Ceramic Anilox Roller & Air Ink Pump).
- Touch Screen Monitor for Easy Operation.
- Auto Roll Changing System (Unwinding And Rewinding).



Doctor Blade System



On-Line Inspection



Touch Screen Monitor for Easy Operation