

IW-RF100

1U Short Depth Rackmount

Server



Features & Benefits

- Compact size for ATX (12" x 10") motherboard
- Reversible design allowing the M/B ports to be presented at the front or rear of the chassis
 - Rack ears can be fitted to both front and rear of the chassis
 - Power supply can be swapped with the front panel location
 - Tool-free 3.5" & 2.5" HDD cage design
 - Supports up to 40mm PWM x 3 with anti-vibration



Specifications

Industry Standard	EIA-RS310D
M/B Form Factor	Mini ITX (6.7" x 6.7"), ATX(12" x 10")
Drive Bay	• Internal: 2.5" x 2, 2.5" x 1 & 3.5" x 1
Power Supply	Supports: • Form factor: Flex • Watt: up to 265W or 315W
Indicator	Power Status, HDD, LAN Activity LEDs
Front Control Panel	Power Switch, System Reset, USB 3.0 x2
Cooling Fan	Supports 40 x 28mm PWM fan x 3 (pre-installed x 2)
Expansion Slot	Full height PCI slot x 1 (via riser card)
Material	• Material: SGCC • Thickness: 1.0mm
Rail Kit	Supports 20" friction slide rail
Product Dimensions (DxWxH; Chassis Only)	365.9 x 430 x 43.5mm (14.41" x 16.93" x 1.71")
Package Dimensions (DxWxH)	560 x 500 x 135mm
Weight (Chassis Only)	• Net weight: 3.4kg • Gross weight: 4.2kg
Cubic Feet	1.33
Container Information	Single packing with pallets: • 20': 640pcs • 40': 1280pcs • 40' HQ: 1360pcs

Motherboard I/O Ports Rear Access

Front View



Rear View



Motherboard I/O Ports Front Access

Front View

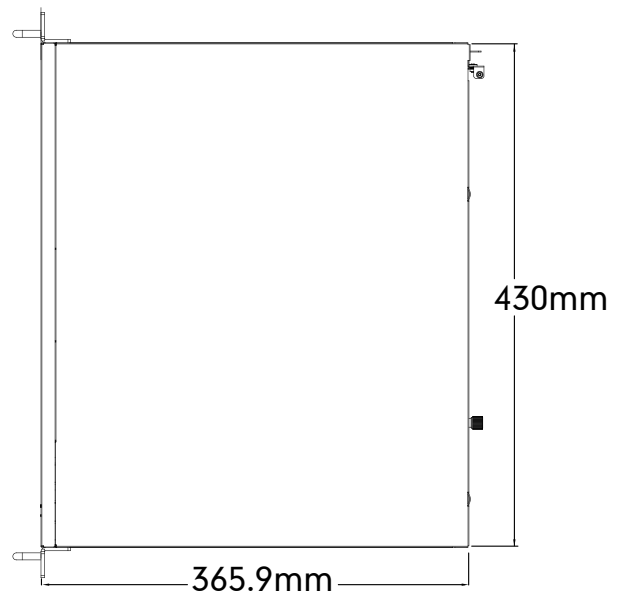


Rear View



Optional Items

Item	Part Number	Description	Support
Slide Rail	3RAMIS032202	20" friction slide rail	1
Power Supply	1DDW265AU20062	IP-S265AU7-2, 1U FLEX, 265W, 80 Plus Bronze	1
Power Supply	1DDU315AU20050	IP-P315AU7-2, 1U FLEX, 315W, 80 Plus Gold	1
Back I/O Shield Plate	2RAVIQ027300	Rear I/O shield- ASRock E3C236D4M-4L	1
Back I/O Shield Plate	2RAVIQ048700	Rear I/O shield- ASRock X570D4I-2T	1
Back I/O Shield Plate	2RAVIQ044000	Rear I/O shield- ASUS P10S-M-DC	1
Back I/O Shield Plate	2RAVIQ044100	Rear I/O shield- ASUS WS C246M PRO	1
Back I/O Shield Plate	-	Rear I/O shield. Material: SGCC (customize design based on customer's specific motherboard I/O design)	1
Fan	2RAKFB005401	40 x 28mm, PWM,14500RPM	Max.3



* The actual product is subject to change without prior notice. InWin Development Inc. reserves the right to make any final modifications.

* The above image is for reference only. All hardware components and optional parts are not included.