

IW-RS224-07

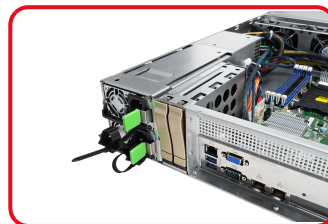
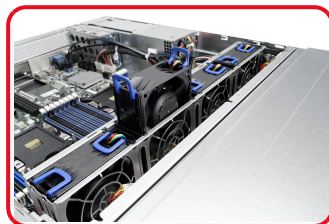
2U NVMe Hybrid Storage Server

Storage Server



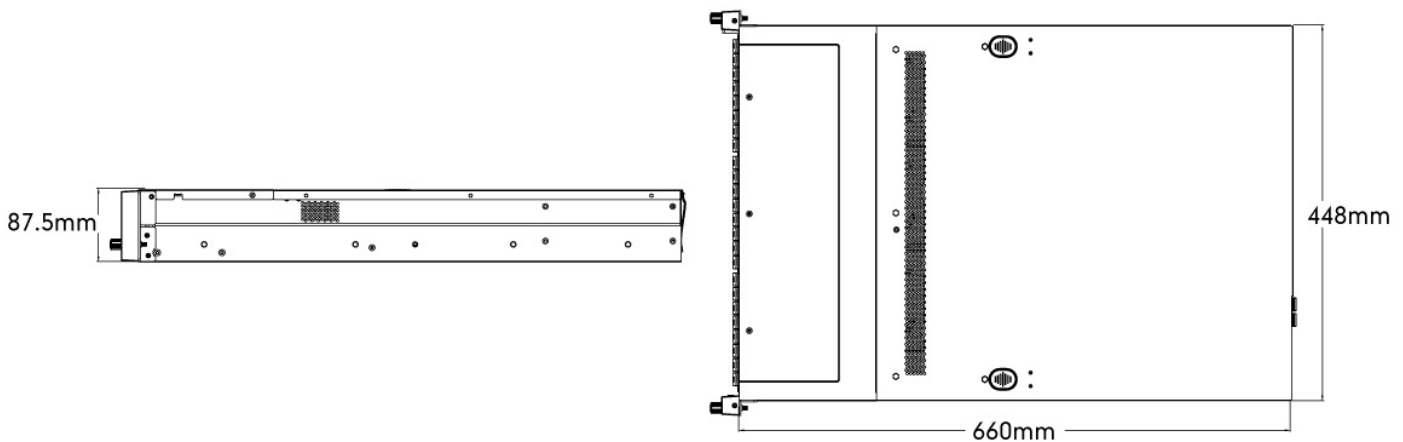
Features & Benefits

- Compliance for Intel® Xeon Scalable & AMD EPYC family
- 2.5" hot-swap SSD trays x 24 (optional NVMe trays x 8, supports U.2 NVMe SSD)
 - Tool-less design for 2.5" SSD tray
- End-to-end 12G SAS host, expander and disk support
 - 2 x 2.5" SAS/SATA SSD on rear for system disks
- High efficiency 1200W 80 Plus Platinum CRPS (optional)
- High-speed cooling fans for excellent thermal performance



Specifications

Industry Standard	EIA-RS310D
M/B Form Factor	ATX (12" x 9.6"), CEB (12" x 10.5"), EEB (12" x 13")
Drive Bay	<ul style="list-style-type: none"> External 2.5" screwless hot-swap SSD trays x 24 (Optional U.2 NVMe SSD trays x 8) Rear 2.5" screwless hot-swap SSD trays x 2 (Supports SAS 12G)
Power Supply	Supports: <ul style="list-style-type: none"> Form factor: 80 Plus Platinum CRPS Watt: 550W/800W/1200W
Indicator	Power LED, LAN1/LAN2/LAN3/LAN4 LED, System LED, ID LED, HDD LED
Front Control Panel	Power on/off, Reset, NMI, ID SW, USB 3.0 x 2
Backplane-1	<ul style="list-style-type: none"> Host: Mini-SAS HD (SFF-8643) x 3, Slimline (SFF-8654) x 8 SSD: SAS/SATA x 24 or SAS/SATA x 16 and NVMe SSD x 8
Backplane-2	<ul style="list-style-type: none"> Host: Mini-SAS HD (SFF-8643) x 3, Oculink (SFF-8611) x 8 SSD: SAS/SATA x 24 or SAS/SATA x 16 and NVMe SSD x 8
SAS 12G Expander	Supports Broadcom SAS 35 x 36R expander
Cooling Fan	80 x 38mm PWM hot-swap fans x 4, 12000RPM
Expansion Slot	Low-profile PCIe slots x 7
Material	<ul style="list-style-type: none"> Material: SGCC Thickness: 1.0mm
Rail Kit	Optional: supports 28" tool-less & ball-bearing slide rails
Product Dimensions (DxWxH; Chassis Only)	660 x 448 x 87.5mm (26" x 17.6" x 3.4")
Package Dimensions (DxWxH)	845 x 595 x 223mm
Weight (Chassis Only)	<ul style="list-style-type: none"> Net weight: 13.45kg Gross weight: 16.76kg
Cubic Feet	3.96
Container Information	Single packing with pallets: <ul style="list-style-type: none"> 20': 160pcs 40': 368pcs 40' HQ: 414pcs



12Gb/s Backplane Specifications

Backplane-1	Mini-SAS HD & Slimline Backplane
Dimensions (W x H)	420mm x 81mm
Backplane Type	Active with expander board
Host Interface	Mini-SAS HD (SFF-8643) x 3, Slimline (SFF-8654) x 8
SSD Interface	SAS/SATA x 24 or SAS/SATA x 16 and NVMe SSD x 8

Backplane-2	Mini-SAS HD & Oculink Backplane
Dimensions (W x H)	420mm x 81mm
Backplane Type	Active with expander board
Host Interface	Mini-SAS HD (SFF-8643) x 3, Oculink (SFF-8611) x 8
SSD Interface	SAS/SATA x 24 or SAS/SATA x 16 and NVMe SSD x 8

Optional Items

Item	Part Number	Description	Support
Slide Rail	3RAMIS148100	28" tool-less & ball-bearing slide rail	1
Slide Rail	3RAMIS152300 / 3RAMIS152400	28" tool-less & ball-bearing slide rail with CMA support	1 set
Cable	3RAMW4031700	Mini SAS 12G cable SFF-8643 to SFF-8643, 800mm	1
Power Supply	3RAMPD039400	CRPS PDB	1
Power Supply	3RAMAP025101	80 Plus Platinum 550W CRPS	1
Power Supply	3RAMAP025201	80 Plus Platinum 800W CRPS	1
Power Supply	3RAMAP026501	80 Plus Platinum 1200W CRPS	1
Backplane	2RBTVI002900	Mini-SAS HD & Slimline backplane	1
Backplane	2RBTVI001500	Mini-SAS HD & Oculink backplane	1
HDD Tray	2RAKPH038200	2.5" screwless hot-swap SSD tray	Max. 24
HDD Tray	2RAKPH038300	2.5" screwless hot-swap SSD tray (NVMe)	Max. 8
Fan	3RAMFB016301	80 x 38mm PWM hot-swap fan, 12000RPM	Max. 4
Fan	2RAKFB011601	80 x 38mm PWM hot-swap fan & fan bracket	Max. 4
Others	2RAKIP022700	Mesh front panel	1

* The actual product is subject to change without prior notice. In Win Development Inc. reserves the right to make any final modifications.

* The above image is for reference only. All hardware components and optional parts are not included.