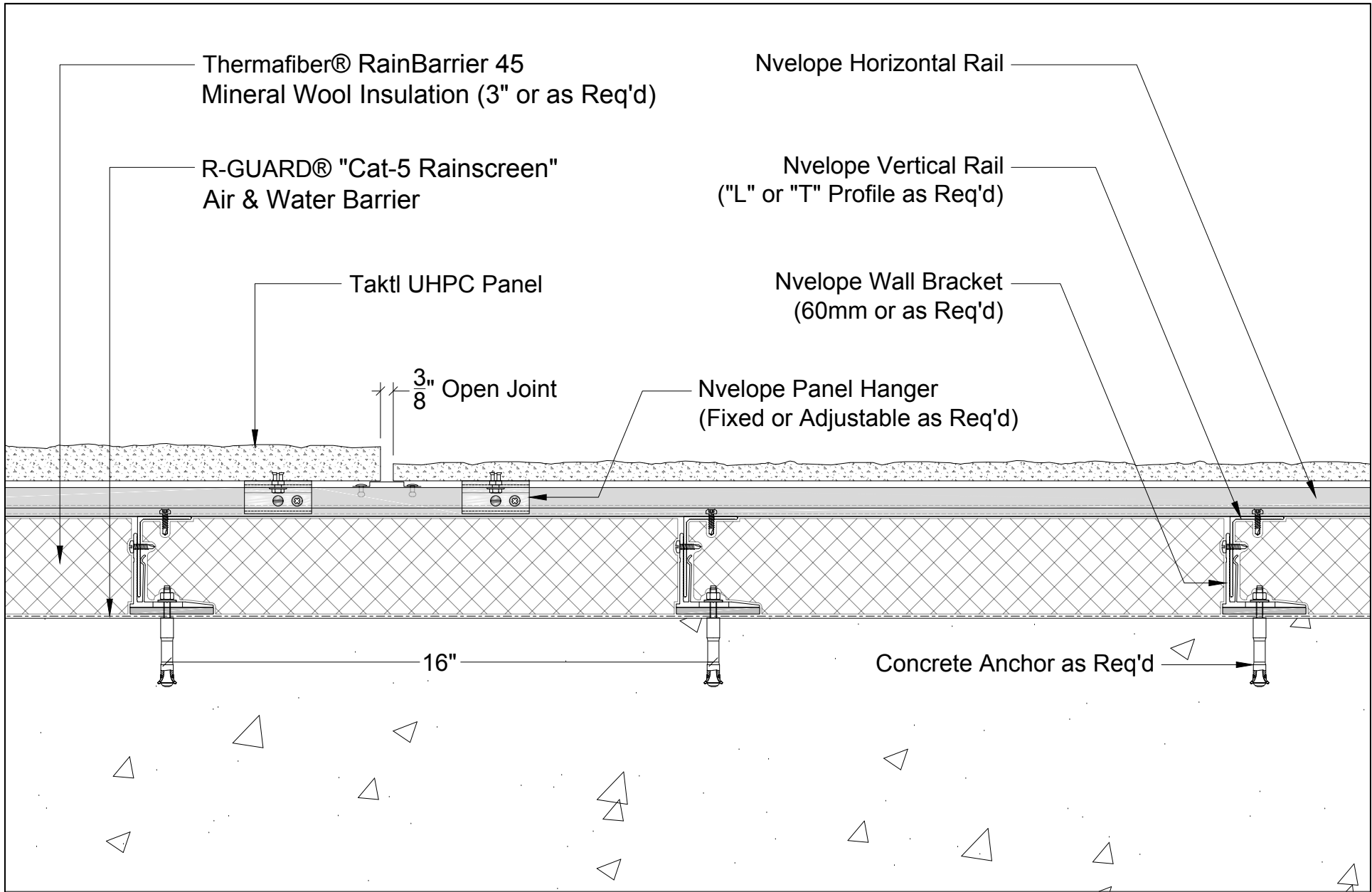


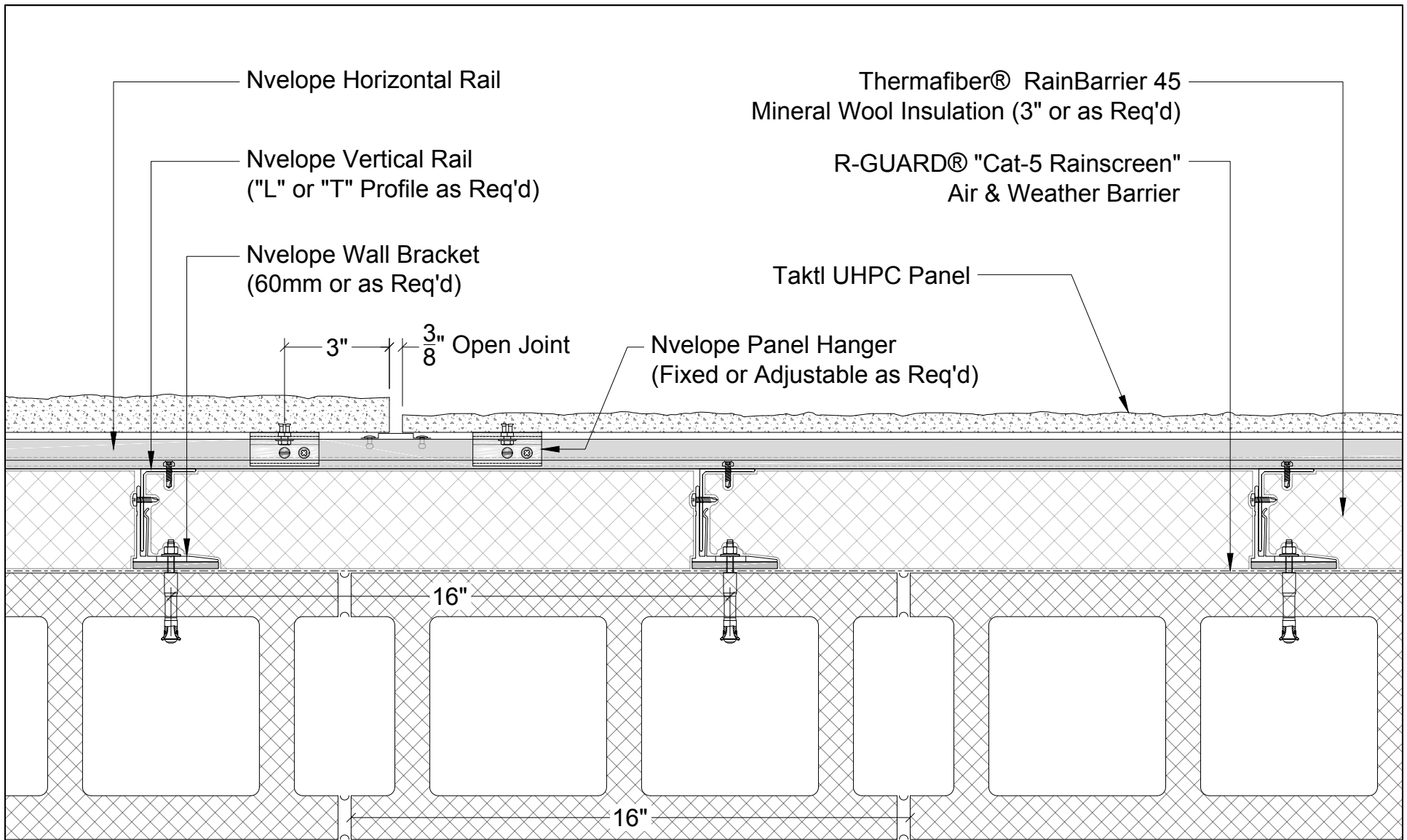
1A Wall Assembly - Taktl UHPC Panel at Steel Stud Framing

SCALE: 3" = 1'-0"



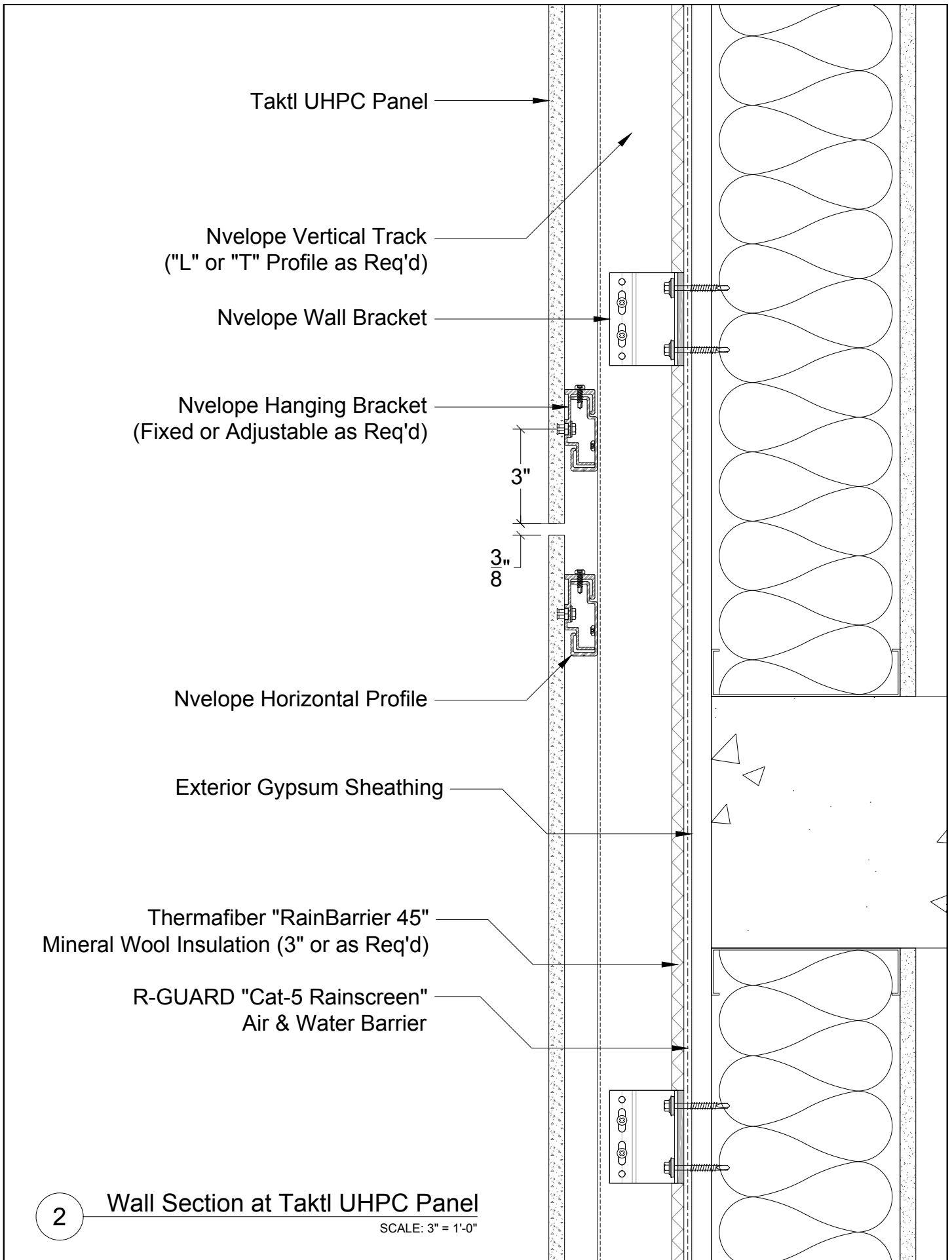
1B Wall Assembly - Taktl UHPC Panel at Structural Concrete

SCALE: 3" = 1'-0"



1C Wall Assembly - Taktl UHPC Panel at Structural CMU

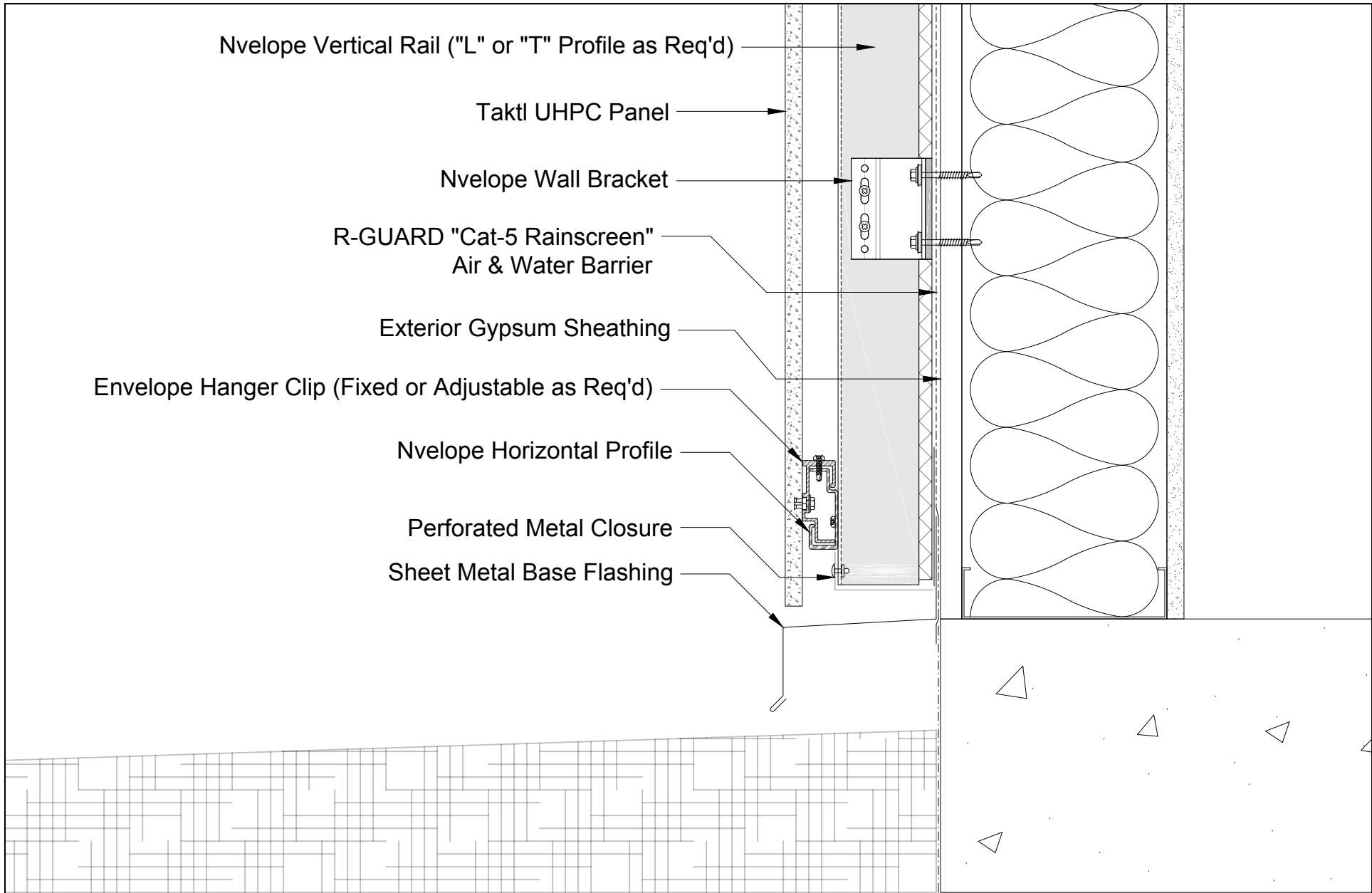
SCALE: 3" = 1'-0"



2

Wall Section at Takli UHPC Panel

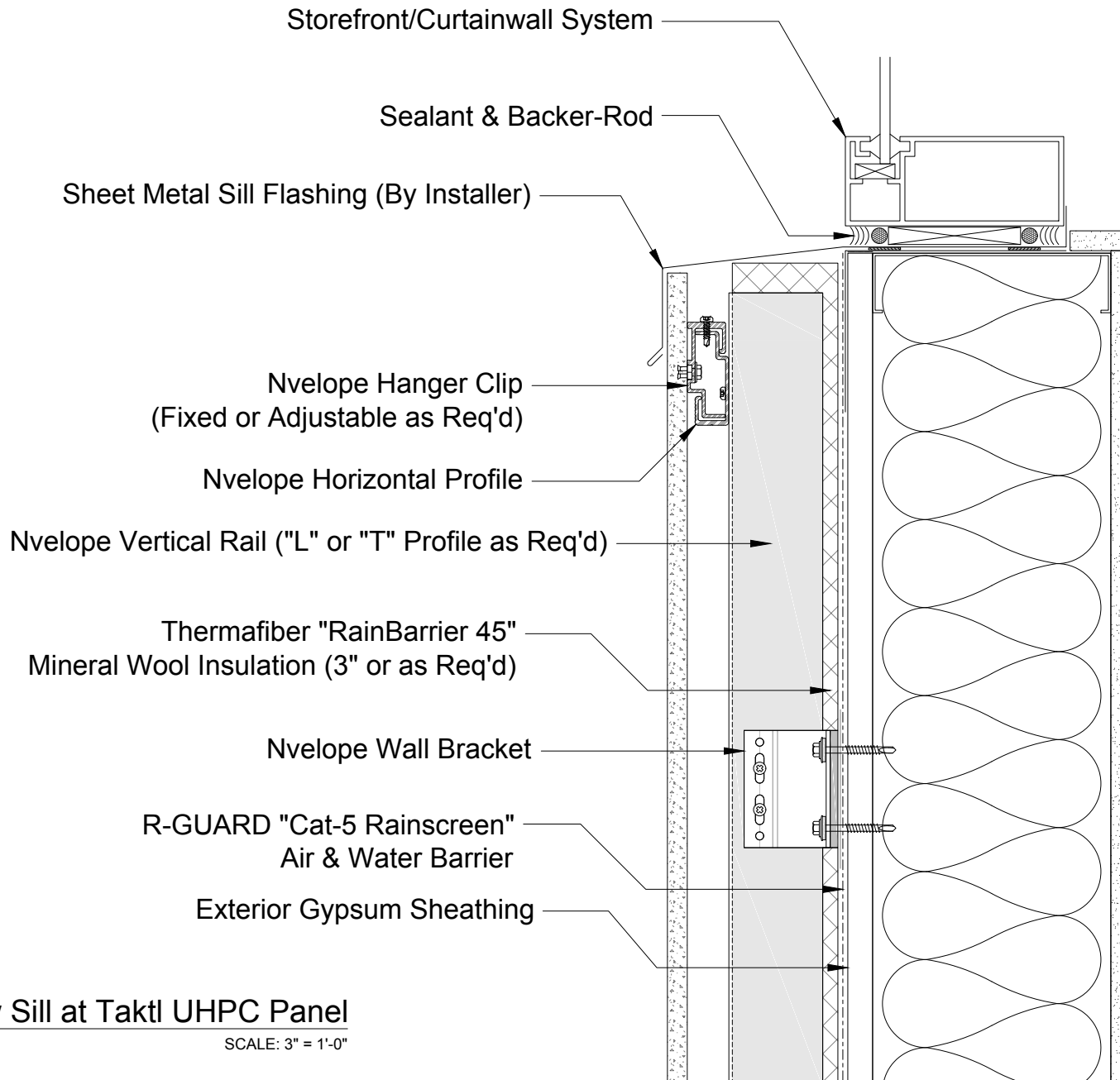
SCALE: 3" = 1'-0"



3

Base Detail at Taktl UHPC Panel

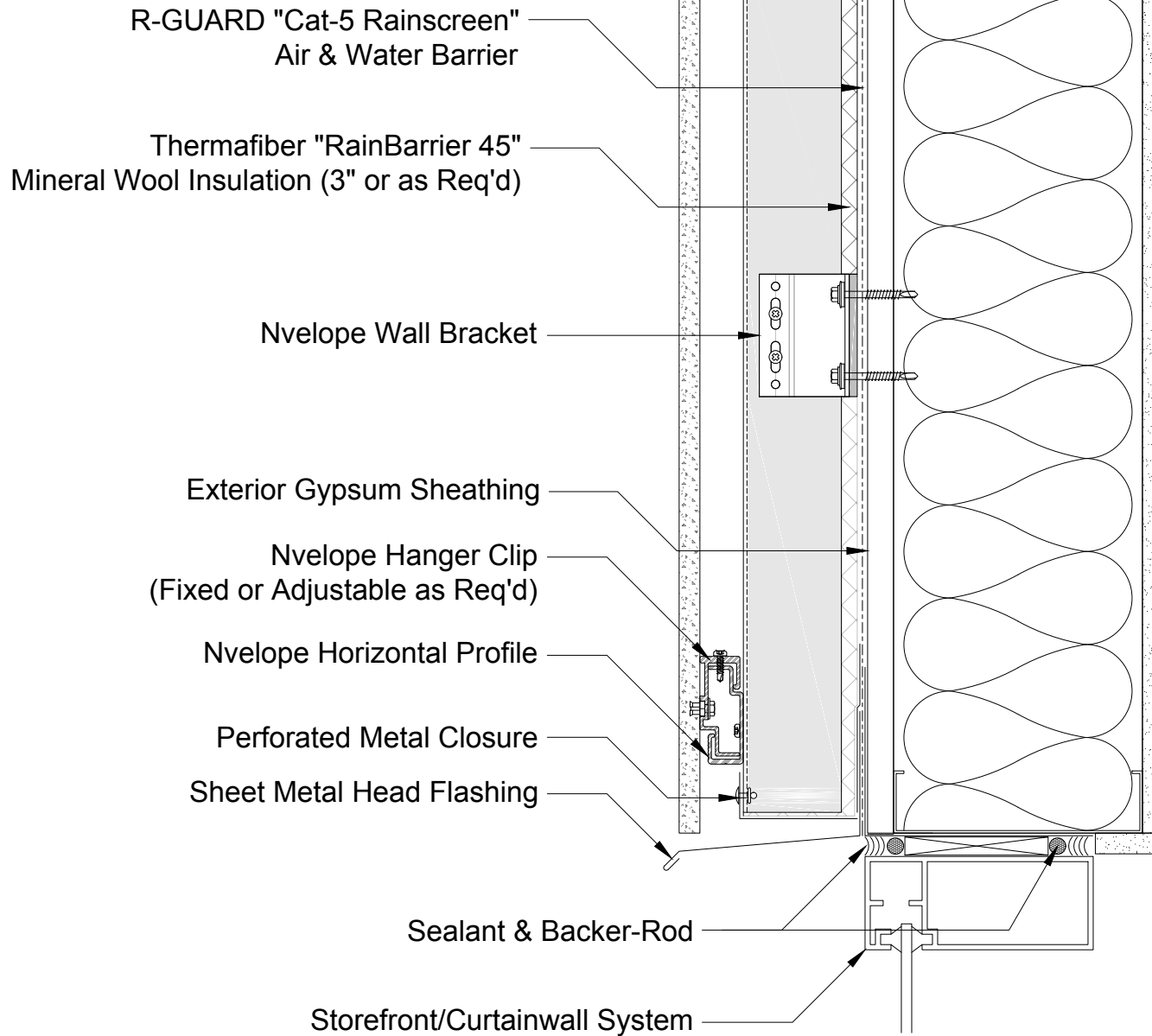
SCALE: 3" = 1'-0"



4

Window Sill at Taktl UHPC Panel

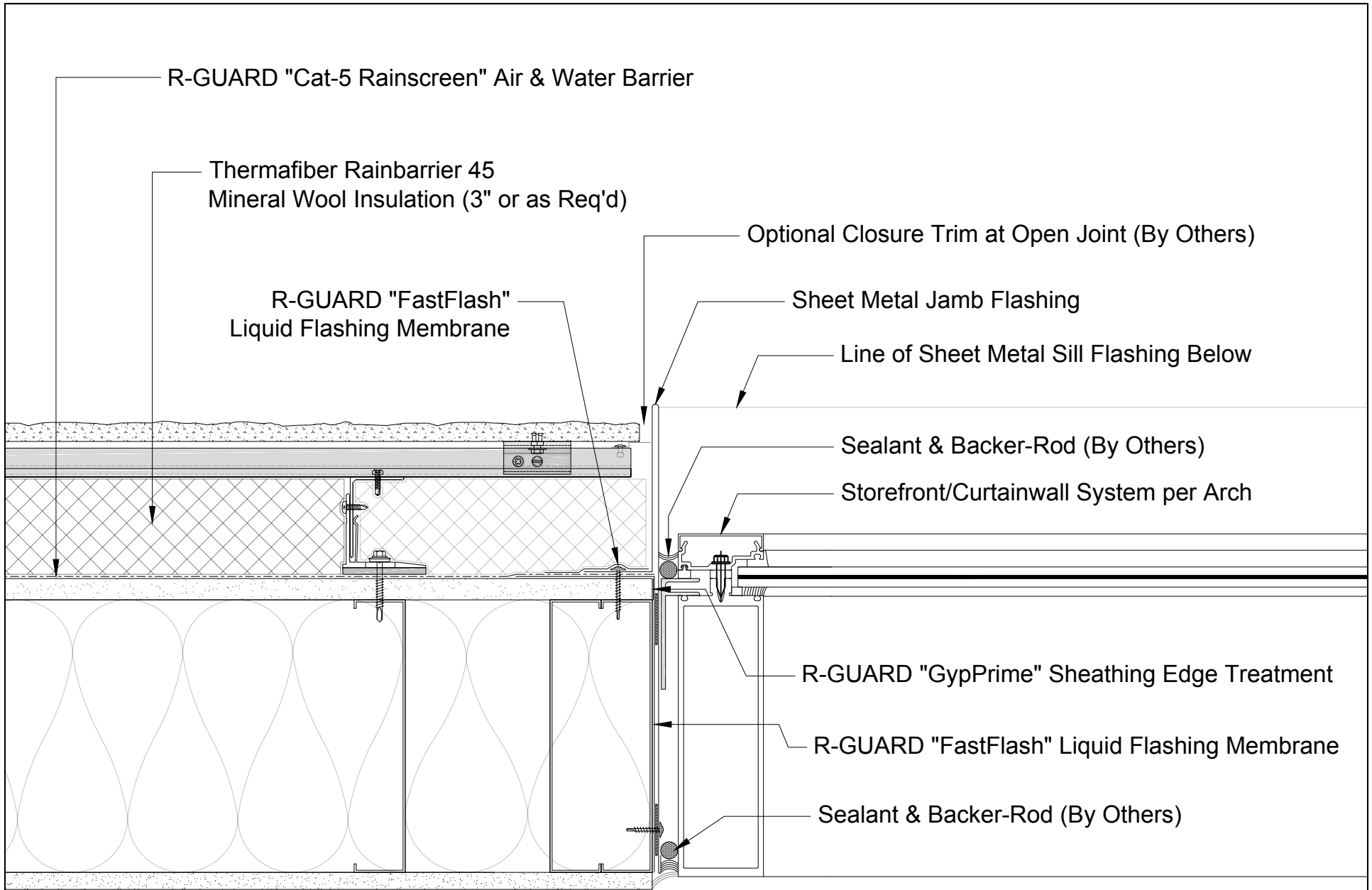
SCALE: 3" = 1'-0"



5

Window Head at Taktl UHPC Panel

SCALE: 3" = 1'-0"

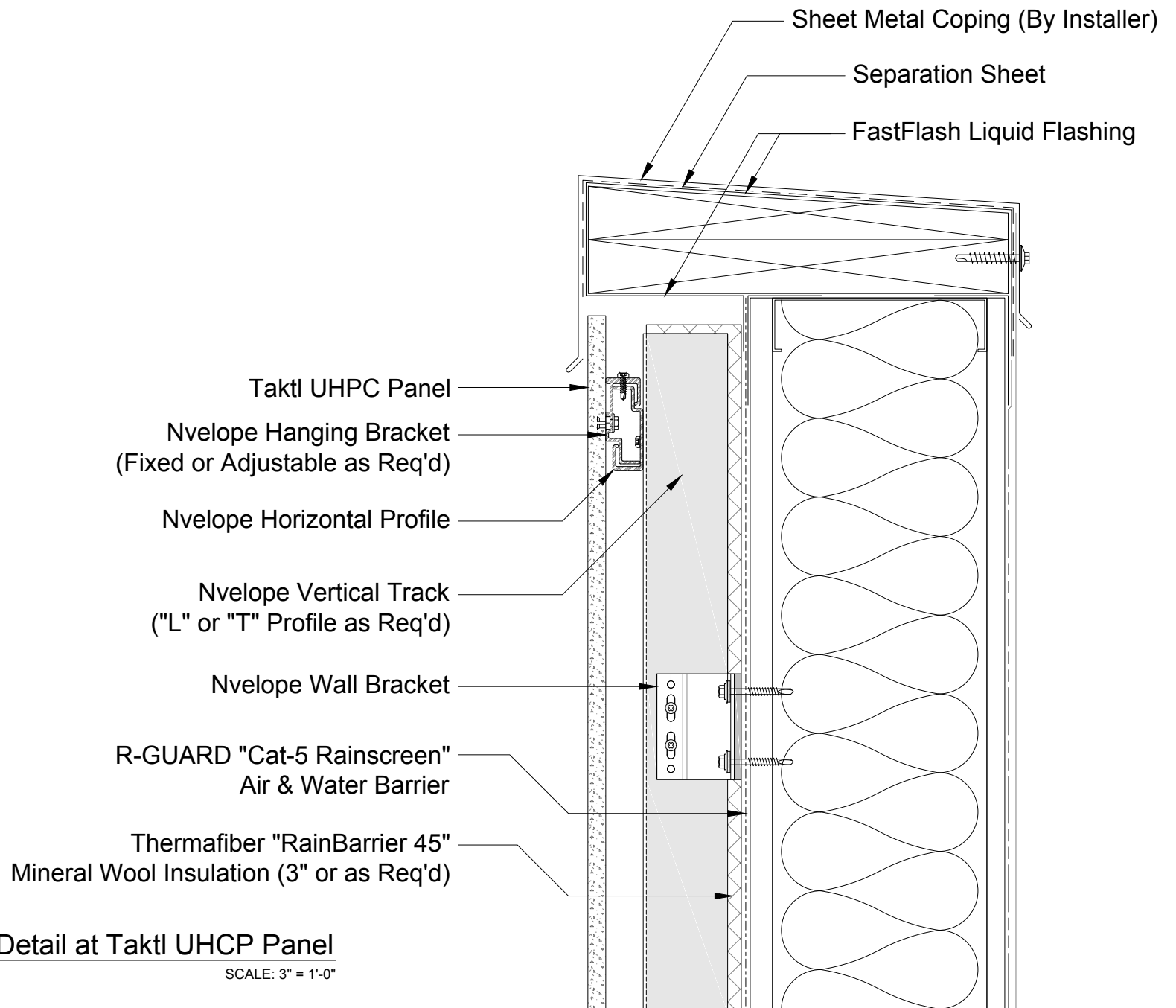


6

Window Jamb at Taktil UHPC Panel

SCALE: 3" = 1'-0"

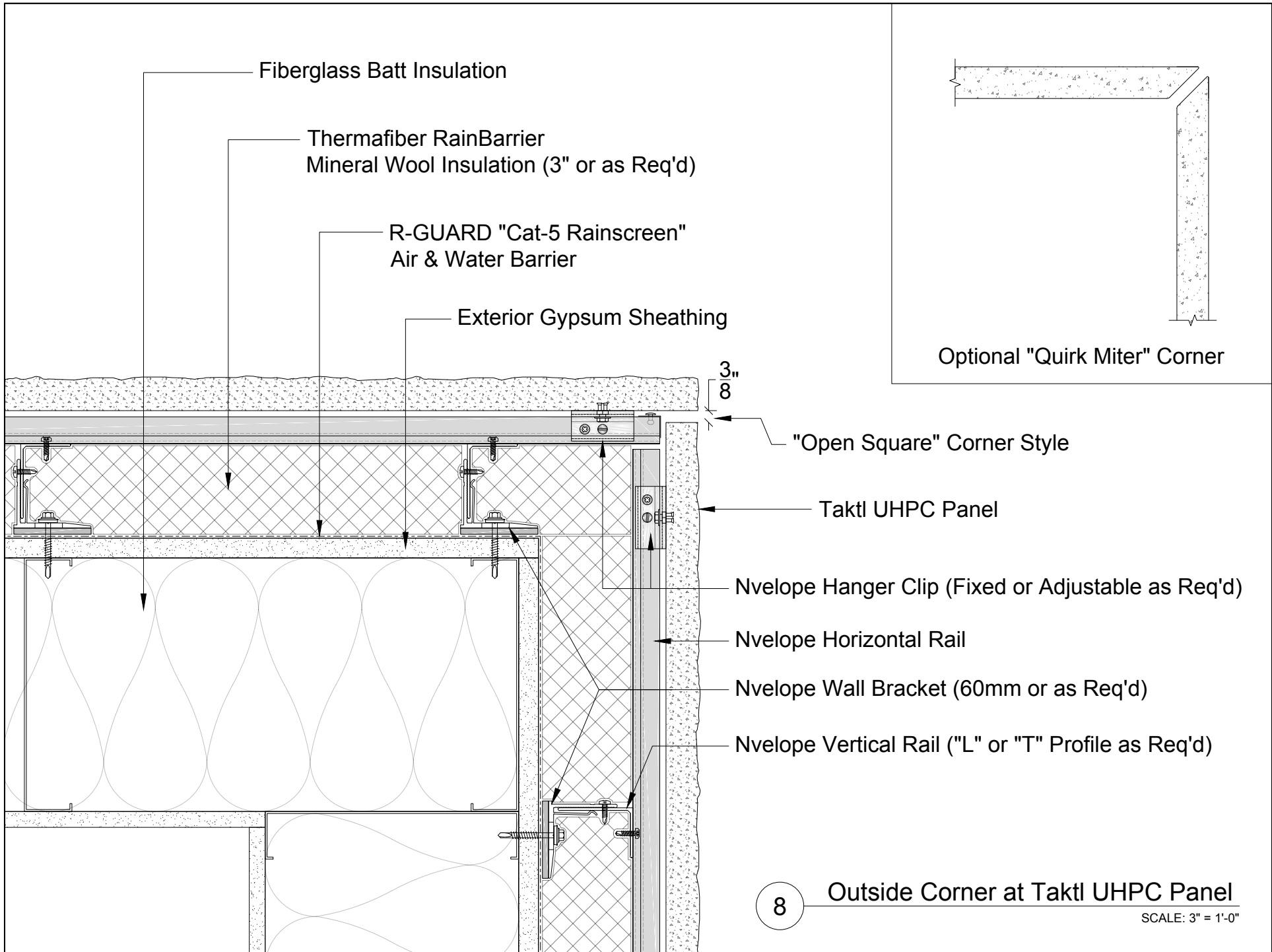


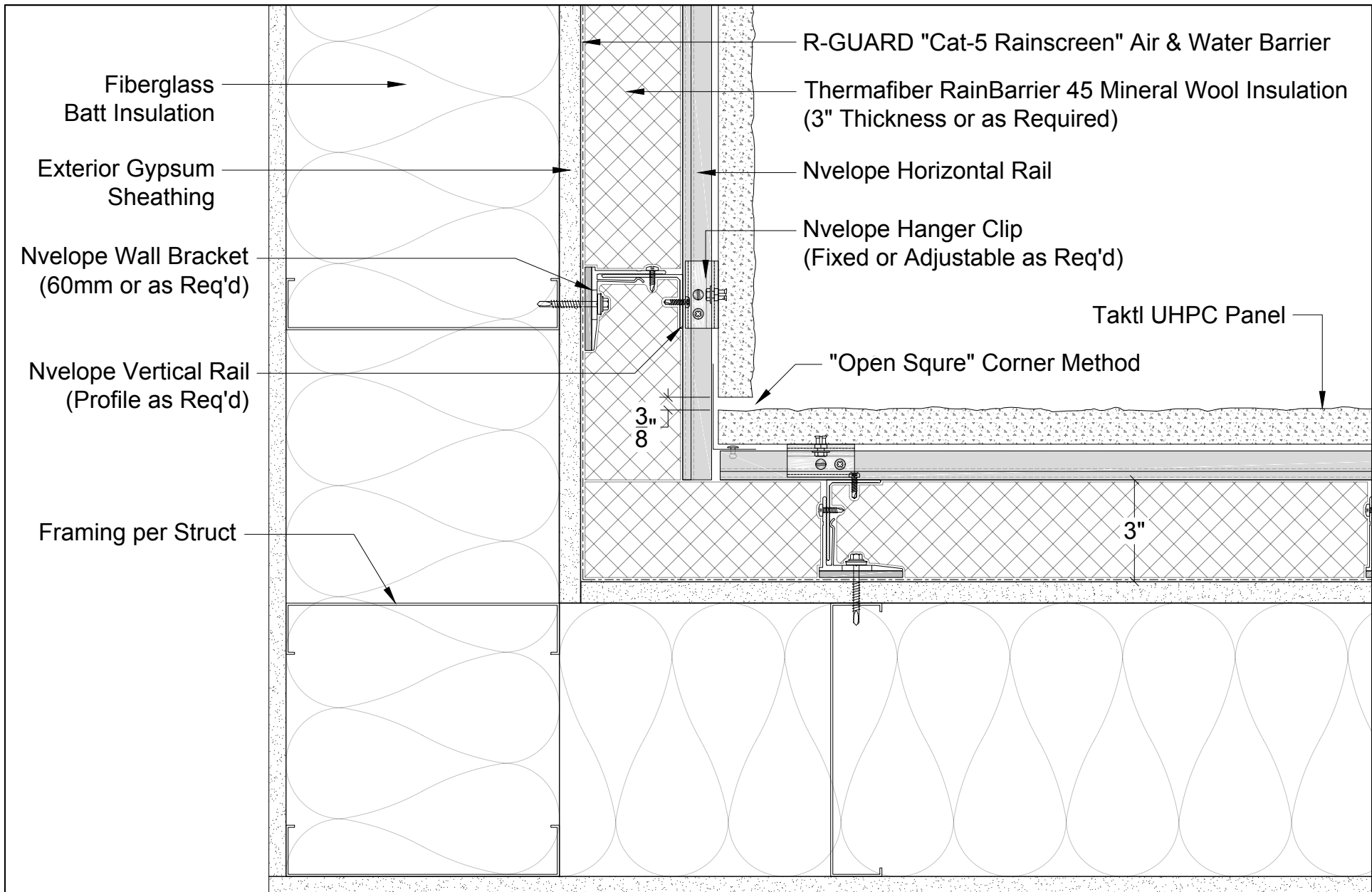


7

Parapet Detail at Takl UHCP Panel

SCALE: 3" = 1'-0"





9

Inside Corner at Taktl UHPC Panel

(Refer to outside corner detail for "Quirk Miter" option, not shown this sheet for clarity)

SCALE: 3" = 1'-0"