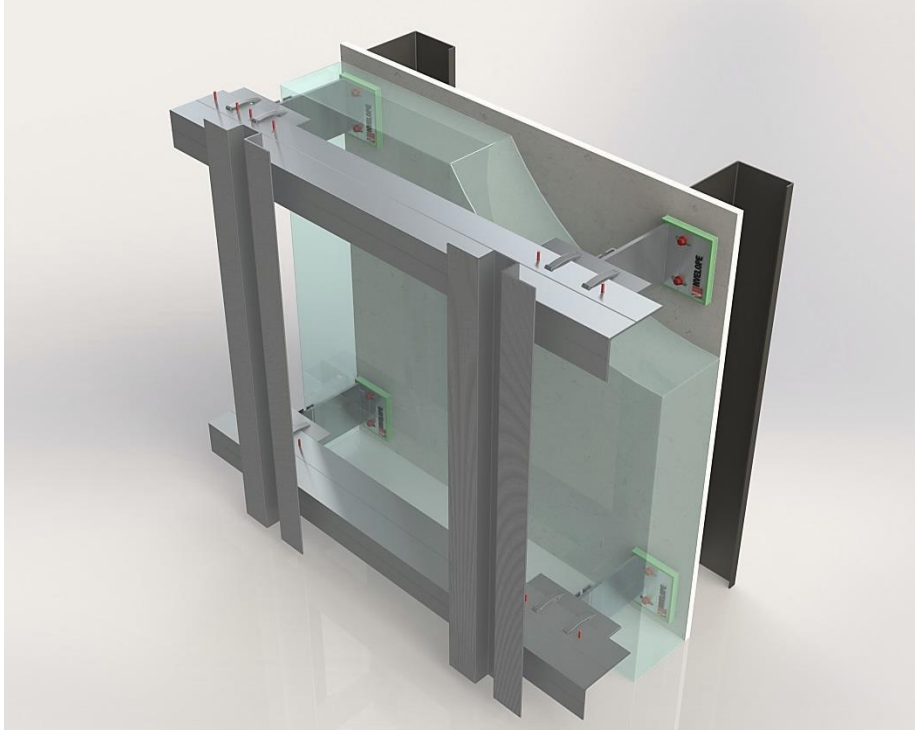




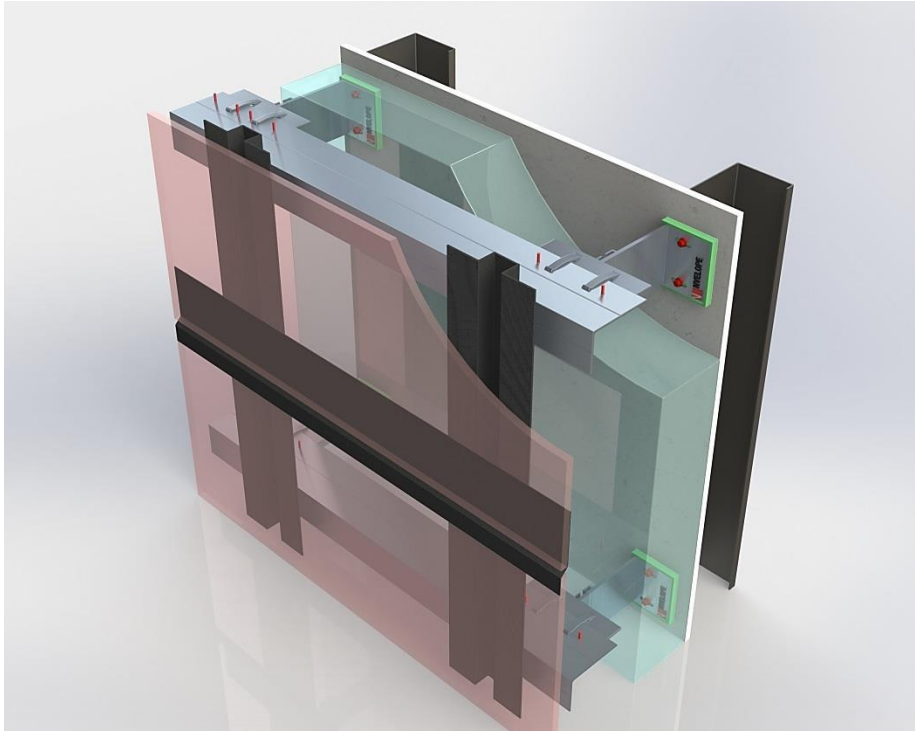
www.Nvelope.com



What characteristics should a cladding support system offer?

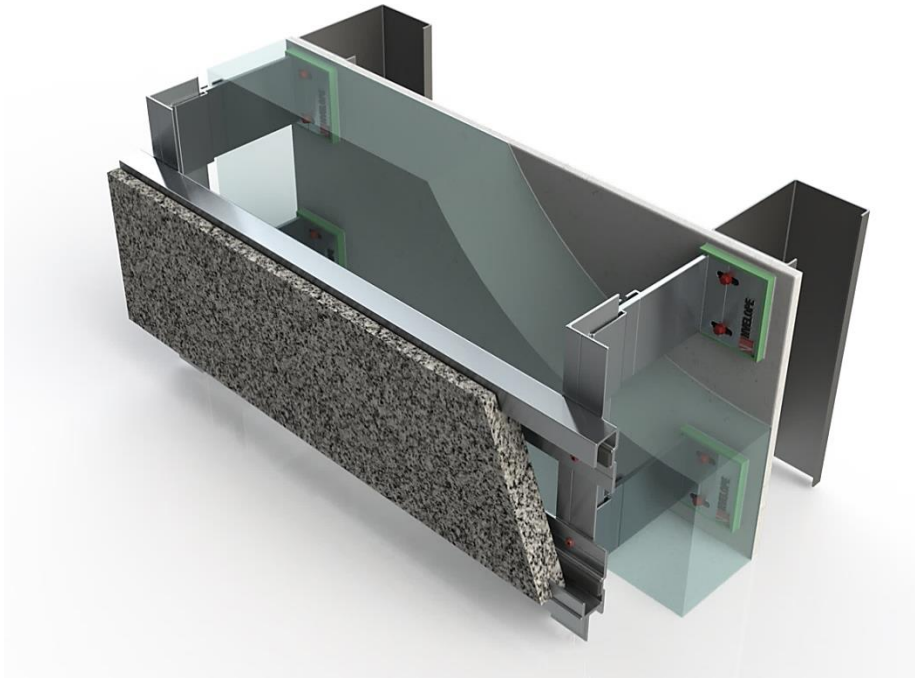
Structural Predictability- Can the sub-framing accommodate the loading (wind, seismic, deflection, dead loads) for the specific cladding type, location and substrate (wood, steel framing, concrete, CMU, AAC Block)?

Thermal Predictability- Does the system minimize thermal bridging and offer complete 3D thermal modeling? Meeting today's Energy Codes requires a strategy that nearly always includes insulation on the exterior side of the structural wall.



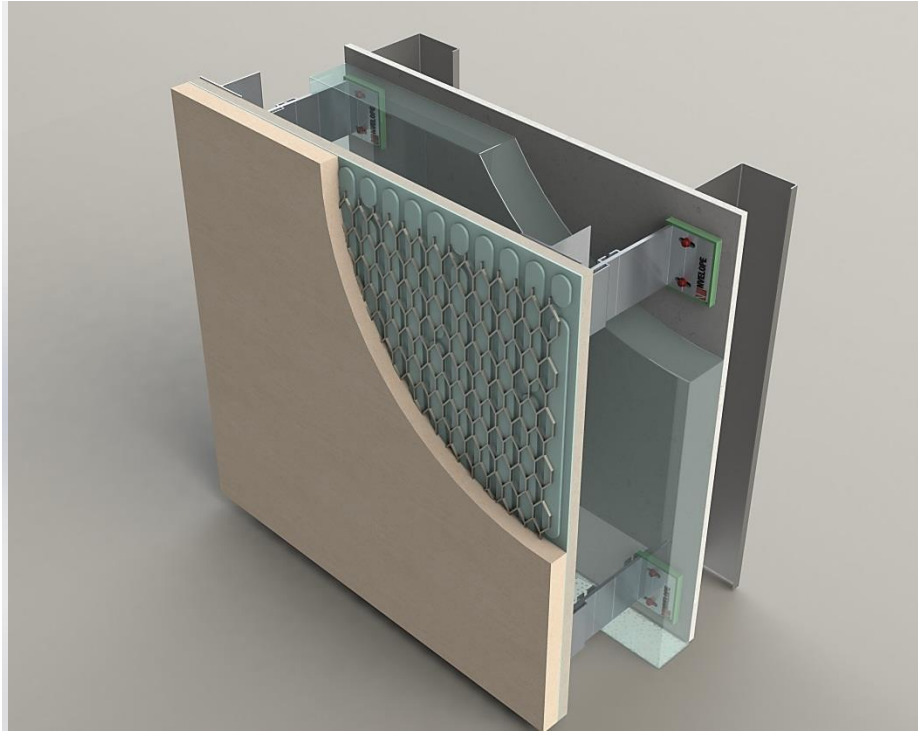
What characteristics should a cladding support system offer?

Safety in Fire- The cladding support and insulation should both be safe in a fire. NFPA 285 and CAN/ULC-S134 tests can help to determine the suitability of a wall assembly in the case of a fire. These tests are required when one (or more) of the façade components are combustible (with noted exceptions for air-barrier assemblies). Using non-combustible components ensures safety in a fire.



What characteristics should a cladding support system offer?

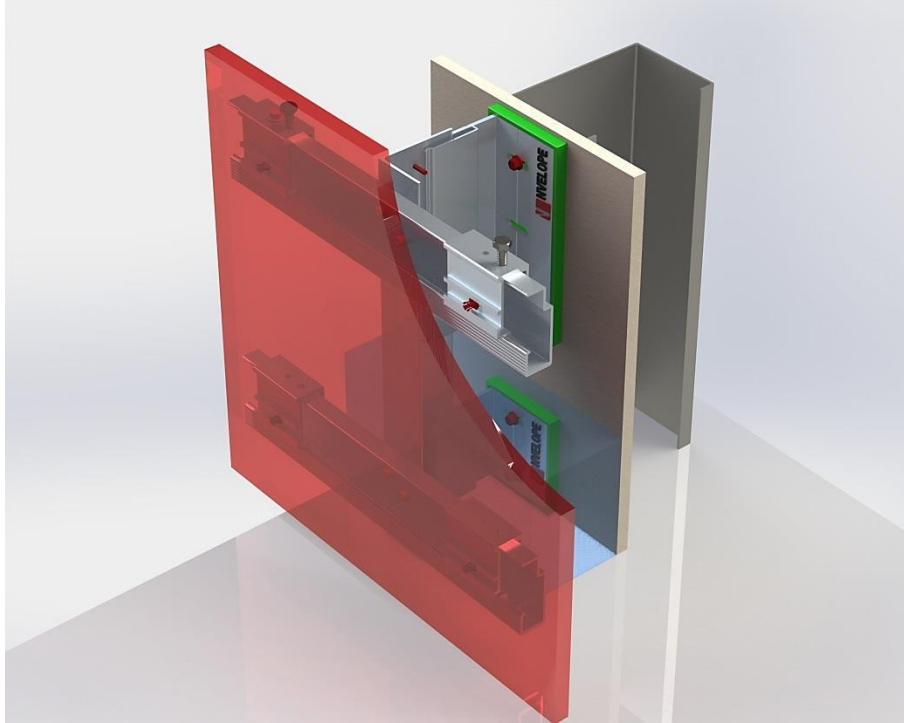
Constructability- Can the system be easily installed under conditions that are representative of actual jobsite environment? The system should also be **EASY TO ADJUST**. It is not uncommon for walls to be out of plumb and to move in an out. **Not having to shim makes installing considerably easier.**



What characteristics should a cladding support system offer?

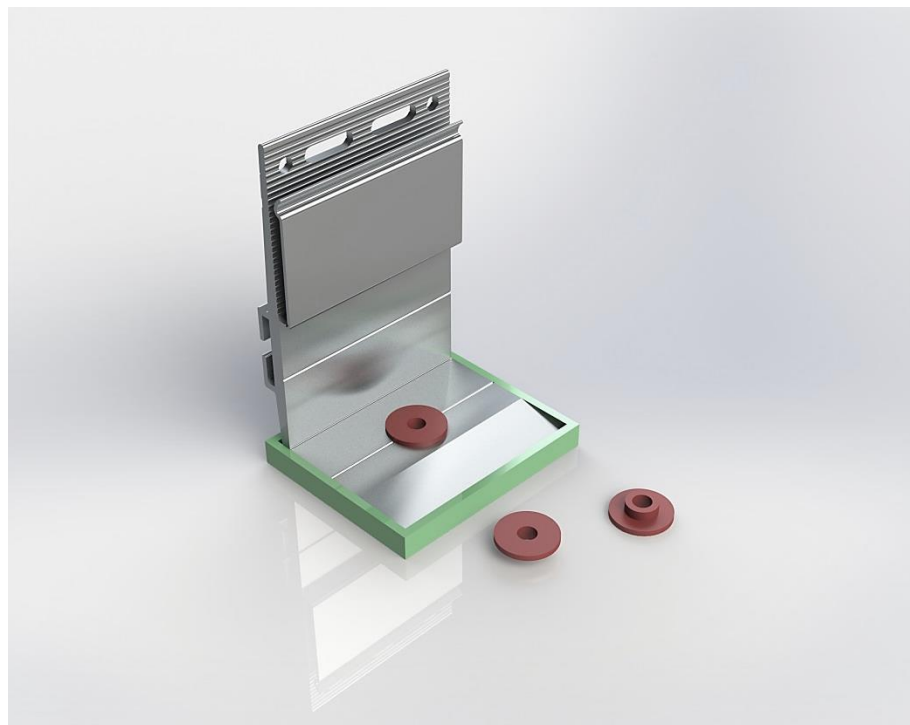
Constructability- Projects with articulated facades may also require a range of cavity depths from 2 to 12 inches (or more).

Cladding support systems need to be able to accommodate this range.



What characteristics should a cladding support system offer?

Complete- Lastly, the same support systems should be engineered from the substrate to the back of the panel. There are many "hybrid" systems where the furring is by one manufacturer, everything beyond the furring is "by others". **Having a single source responsible for the connections from the substrate to the panel simplifies the process.** A mature manufacturer can offer engineered, stamped, coordinated shop drawings. Be sure that the system and its components are suitable for the location including proper corrosion resistance for marine environments when needed,



What characteristics should a cladding support system offer?

Several systems exist on the market today and vetting these systems can be a painstaking process. Your local architectural rep should be able to provide you with **product data, technical specifications, details, test reports and project references.** Before specifying any system, make sure that you've "ticked all the boxes".