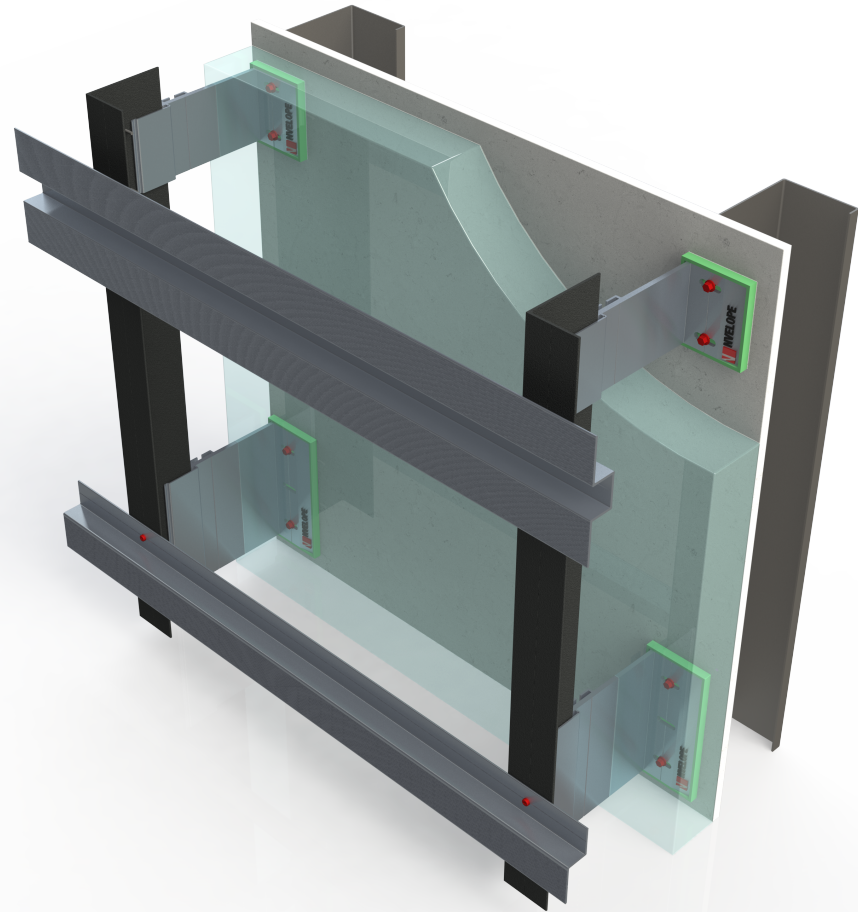


# Thermally Broken Cladding Support System NV1 - OMEGA

- S-01 Nvelope Bracket Details
- S-02 Nvelope Rail & Profile Details
- S-03 Nvelope Fastener Details
- D-01a Plan Detail - Steel Stud Framed Wall
- D-01b Plan Detail - Concrete Wall
- D-01c Plan Detail - CMU/Masonry Wall
- D-02 Storefront Jamb Detail
- D-03 Outside Corner Detail
- D-04 Inside Corner Detail
- D-05 Parapet Detail
- D-06 Storefront Head Detail
- D-07 Storefront Sill Detail
- D-08 Base Detail
- D-09 Horizontal Panel Joint



GUIDE DETAILS BY NVELOPE ARE PROVIDED FOR GENERAL REFERENCE ONLY AND REPRESENT TYPICAL CONDITIONS FOR CLADDING ATTACHMENT SYSTEMS. PROJECT SPECIFIC ENGINEERING IS REQUIRED TO ADDRESS WIND LOAD, CLADDING WEIGHT, TYPE, PROJECTION, SPACING, ETC. CONTACT ENVELOPE FOR ADDITIONAL INFORMATION. ANY AND ALL IMPLIED WARRANTIES INCLUDING APPROPRIATENESS FOR A SPECIFIC PURPOSE ARE EXPLICITLY EXCLUDED.

SFS Group USA, Inc.  
Construction Division  
1045 Spring Street  
Wyomissing, PA 19610  
T: +1 (610) 790-2645



e. [info@nvelope.us](mailto:info@nvelope.us)  
w. <http://www.nvelope.us>

System:  
SYSTEM: **NV1-OMEGA**  
CLADDING: GFRC or HPL (EXPOSED FIXING)

Sheet Title: **Coversheet & Drawing Index**

Issue Date: **07/01/17**

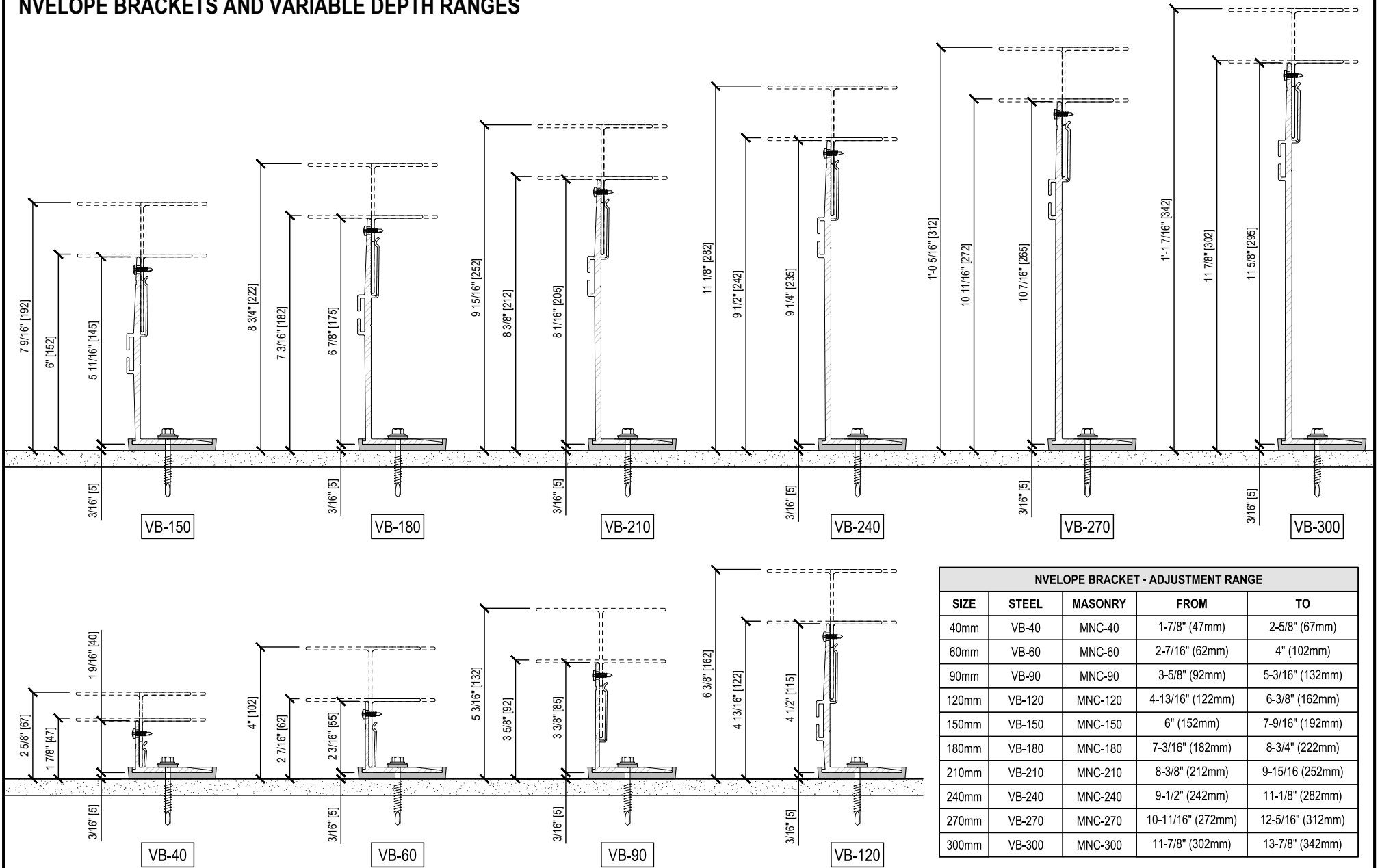
Scale: **NTS**

System ID: **NV-1 Omega**

Sheet: **COVER**



# NVELOPE BRACKETS AND VARIABLE DEPTH RANGES



NVELOPE BRACKET - ADJUSTMENT RANGE				
SIZE	STEEL	MASONRY	FROM	TO
40mm	VB-40	MNC-40	1-7/8" (47mm)	2-5/8" (67mm)
60mm	VB-60	MNC-60	2-7/16" (62mm)	4" (102mm)
90mm	VB-90	MNC-90	3-5/8" (92mm)	5-3/16" (132mm)
120mm	VB-120	MNC-120	4-13/16" (122mm)	6-3/8" (162mm)
150mm	VB-150	MNC-150	6" (152mm)	7-9/16" (192mm)
180mm	VB-180	MNC-180	7-3/16" (182mm)	8-3/4" (222mm)
210mm	VB-210	MNC-210	8-3/8" (212mm)	9-15/16" (252mm)
240mm	VB-240	MNC-240	9-1/2" (242mm)	11-1/8" (282mm)
270mm	VB-270	MNC-270	10-11/16" (272mm)	12-5/16" (312mm)
300mm	VB-300	MNC-300	11-7/8" (302mm)	13-7/8" (342mm)

GUIDE DETAILS BY NVELOPE ARE PROVIDED FOR GENERAL REFERENCE ONLY AND REPRESENT TYPICAL CONDITIONS FOR CLADDING ATTACHMENT SYSTEMS. PROJECT SPECIFIC ENGINEERING IS REQUIRED TO ADDRESS WIND LOAD, CLADDING WEIGHT, TYPE, PROJECTION, SPACING, ETC. CONTACT ENVELOPE FOR ADDITIONAL INFORMATION. ANY AND ALL IMPLIED WARRANTIES INCLUDING APPROPRIATENESS FOR A SPECIFIC PURPOSE ARE EXPLICITLY EXCLUDED.

SFS Group USA, Inc.  
Construction Division  
1045 Spring Street  
Wyomissing, PA 19610  
T: +1 (610) 790-2645



e. info@nvelope.us  
w. http://www.nvelope.us

System:  
SYSTEM: **NV1-OMEGA**  
CLADDING: **GFRC or HPL (EXPOSED FIXING)**

Sheet Title: **NVELOPE BRACKET DETAILS**

Issue Date: **07/01/17**

Scale: **3" = 1'-0"**

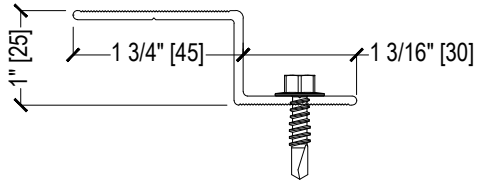
System ID: **NV1-Omega**

Sheet: **S-01**

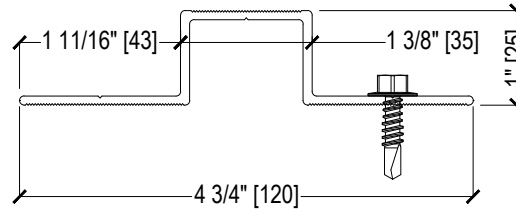


# NVELOPE CLADDING RAILS MOUNTING AND PROFILES

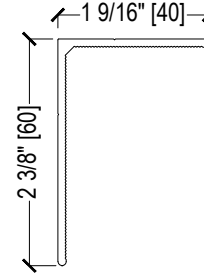
Z25-45-30  
2.4MM



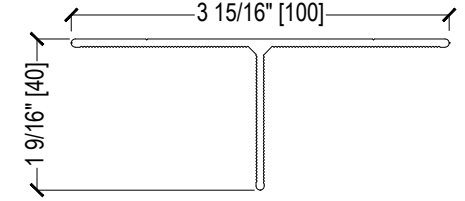
OM25-120  
2.4MM



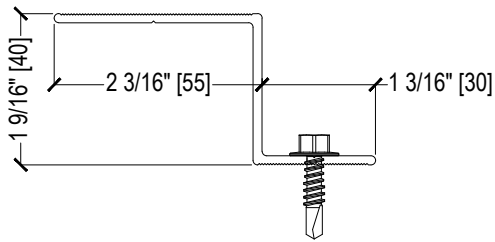
L60-40  
2.2MM



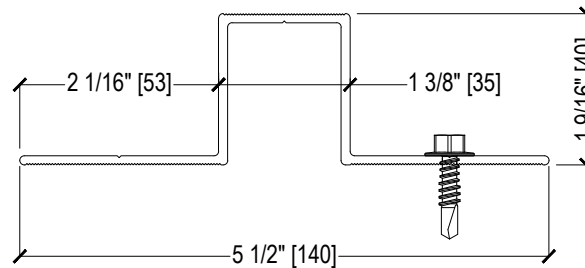
T40-100  
2.2MM



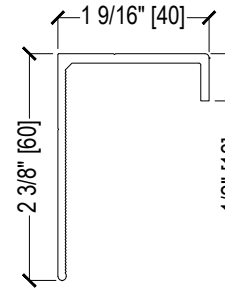
Z40-55-30  
2.4MM



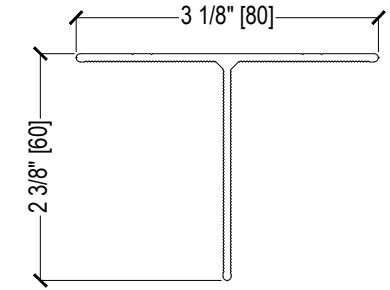
OM40-140  
2.4MM



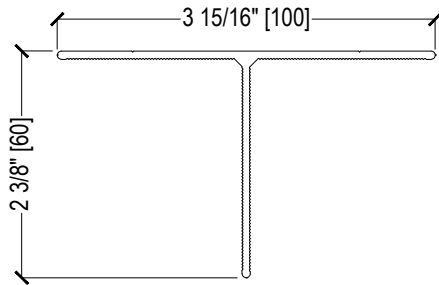
HBL60-40  
2.5MM



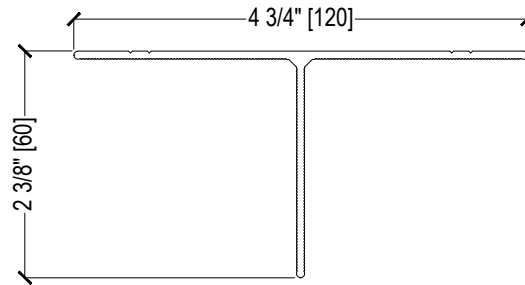
T60-80  
2.2MM



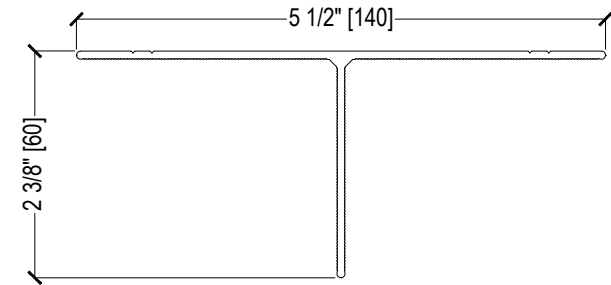
T60-100  
2.2MM



T60-120  
2.2MM



T60-140  
2.2MM



GUIDE DETAILS BY NVELOPE ARE PROVIDED FOR GENERAL REFERENCE ONLY AND REPRESENT TYPICAL CONDITIONS FOR CLADDING ATTACHMENT SYSTEMS. PROJECT SPECIFIC ENGINEERING IS REQUIRED TO ADDRESS WIND LOAD, CLADDING WEIGHT, TYPE, PROJECTION, SPACING, ETC. CONTACT NVELOPE FOR ADDITIONAL INFORMATION. ANY AND ALL IMPLIED WARRANTIES INCLUDING APPROPRIATENESS FOR A SPECIFIC PURPOSE ARE EXPLICITLY EXCLUDED.

SFS Group USA, Inc.  
Construction Division  
1045 Spring Street  
Wyomissing, PA 19610  
T: +1 (610) 790-2645

e. info@nvelope.us  
w. http://www.nvelope.us



Sheet Title: NVELOPE RAIL & PROFILE DETAILS

Issue Date: 07/01/17

Scale: 6" = 1'-0"

System ID: NV1-Omega

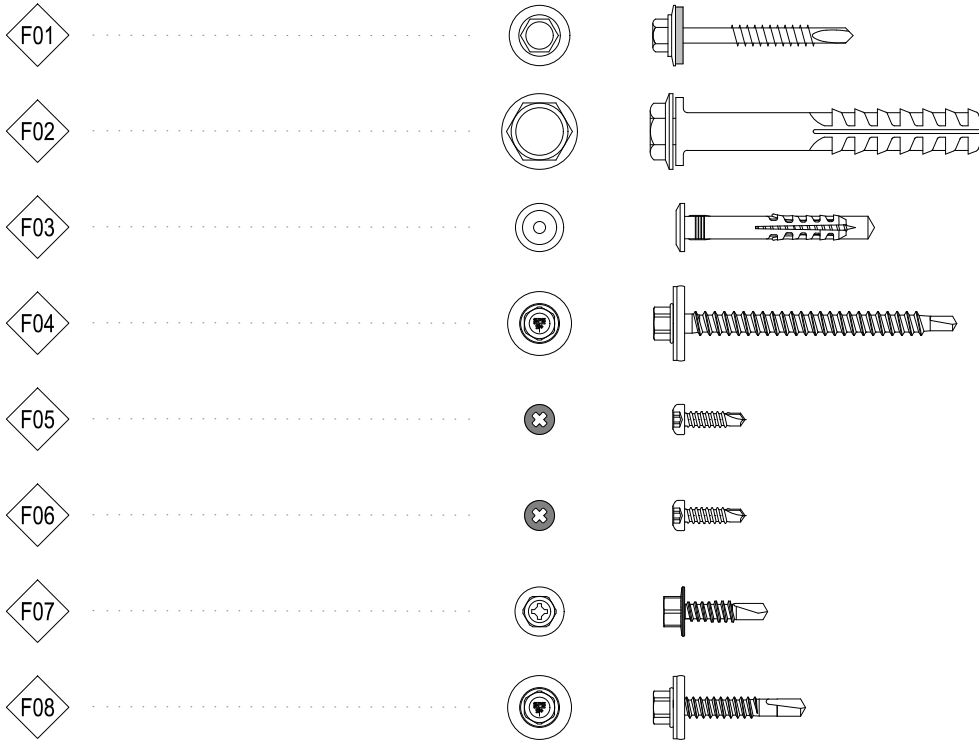
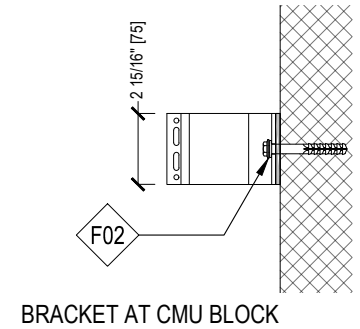
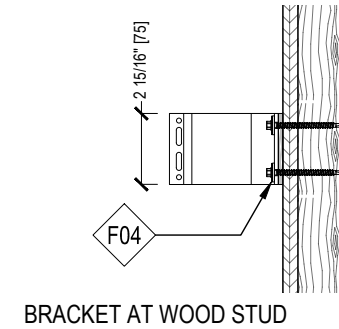
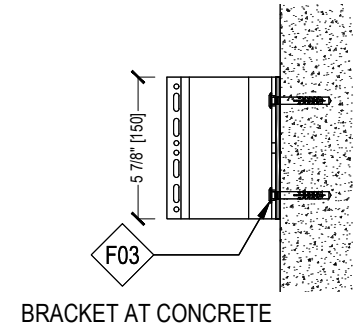
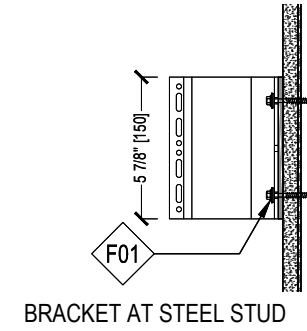
Sheet: S-02



System:  
SYSTEM: NV1-OMEGA  
CLADDING: GFRC or HPL (EXPOSED FIXING)

# NVELOPE TYPICAL FASTENER LEGEND

NO:	TYPICAL USE & APPLICATION	LENGTH	DIAMETER	HEAD/DRIVE	TIP	PART
F01	Nvelope Bracket to Steel Stud Framing	2" (52mm)	#14 (0.24")	HWH	Self-Drill	1544249
F02	Nvelope Bracket to CMU Substrate	Varies*	11mm (Max)	Varies*	Varies*	Varies*
F03	Nvelope Bracket to Concrete Wall	Varies*	11mm (Max)	Varies*	Varies*	Varies*
F04	Nvelope Bracket to Wood Stud Framing	2-3/4" (72mm)	6.5mm	HWH	Self-Drill	1544250
F05	NH-2 Adapter to Nvelope Wall Bracket	3/4" (19mm)	4.8mm	Pan-Head/SR	Self-Drill	1544261
F06	Vertical Rail to Nvelope Wall Bracket	3/4" (19mm)	4.8mm	Pan-Head/SR	Self-Drill	1544261
F07	Horizontal Profiles to Vertical Rail	7/8" (22mm)	5.5mm	HWH	Self-Drill	1544263
F08	Horizontal NV-3 Rails to Vertical Rail	1-1/4" (32mm)	5.5mm	HWH	Self-Drill	1544248



### GENERAL FASTENER NOTES:

1. CONCRETE AND MASONRY ANCHOR TYPES VARY BASED ON PROJECT SPECIFIC REQUIREMENTS INCLUDING BUT NOT LIMITED TO WIND LOADS, DEAD LOADS, BUILDING HEIGHT, SEISMIC/SAFETY FACTOR, OR ANY REQUIREMENTS MANDATED BY THE ENGINEER OF RECORD (EOR) AND/OR AUTHORITIES HAVING JURISDICTION (AHJ). CONTACT NVELOPE OR VISIT [NVELOPE.US](http://NVELOPE.US) FOR ADDITIONAL INFORMATION AND CONSIDERATIONS.
2. EXPOSED CLADDING FASTENERS MAY VARY BY CLADDING TYPE, APPLICATION, SPACING, DESIGN INTENT AND DESIRED AESTHETIC AND/OR MANUFACTURER FIXING REQUIREMENTS. CONTACT NVELOPE FOR INFORMATION.

GUIDE DETAILS BY NVELOPE ARE PROVIDED FOR GENERAL REFERENCE ONLY AND REPRESENT TYPICAL CONDITIONS FOR CLADDING ATTACHMENT SYSTEMS. PROJECT SPECIFIC ENGINEERING IS REQUIRED TO ADDRESS WIND LOAD, CLADDING WEIGHT, TYPE, PROJECTION, SPACING, ETC. CONTACT ENVELOPE FOR ADDITIONAL INFORMATION. ANY AND ALL IMPLIED WARRANTIES INCLUDING APPROPRIATENESS FOR A SPECIFIC PURPOSE ARE EXPLICITLY EXCLUDED.

SFS Group USA, Inc.  
Construction Division  
1045 Spring Street  
Wyomissing, PA 19610  
T: +1 (610) 790-2645

e. [info@nvelope.us](mailto:info@nvelope.us)  
w. <http://www.nvelope.us>



Sheet Title: NVELOPE FASTENER DETAILS

Issue Date: 07/01/17

Scale: 6" = 1'-0"

System ID: NV1-Omega

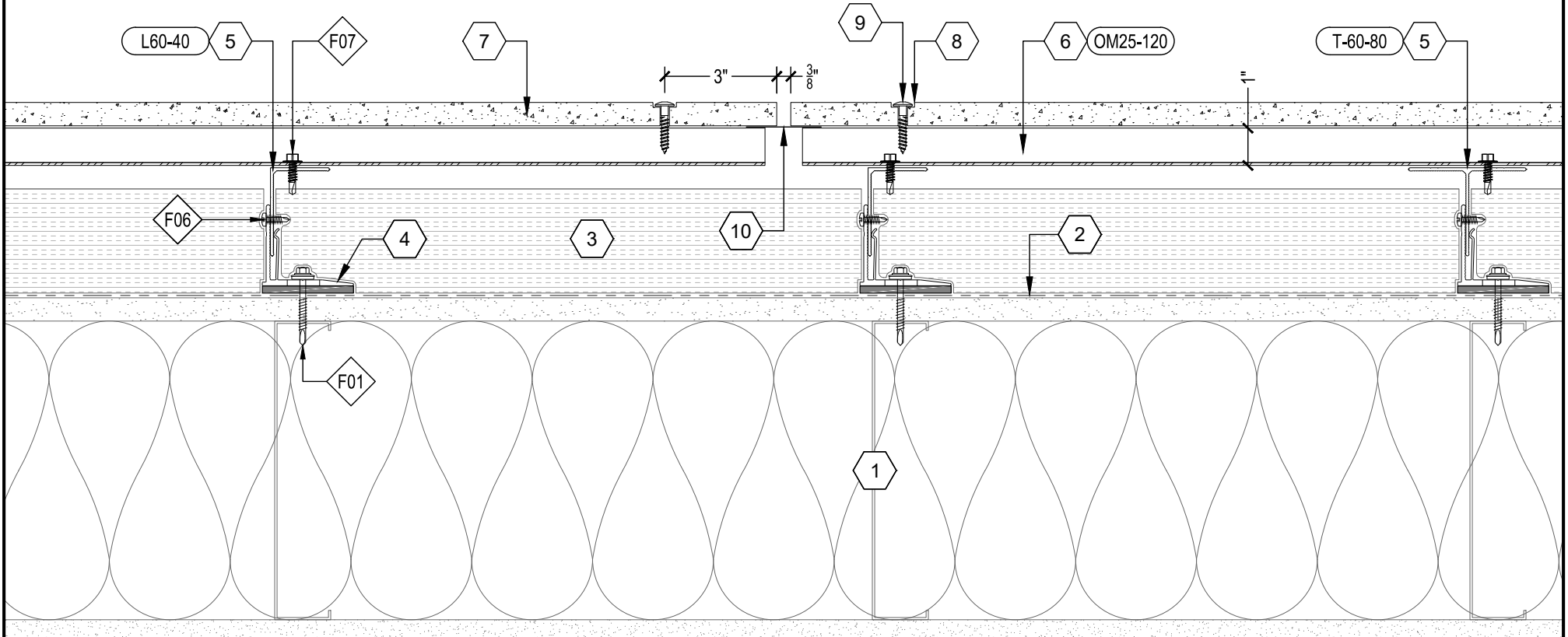
Sheet: S-03



System:  
SYSTEM: NV1-OMEGA  
CLADDING: GFRC or HPL (EXPOSED FIXING)

## DRAWING KEYNOTES

1. STUD FRAMED WALL ASSEMBLY PER ARCH.
2. WEATHER AND AIR BARRIER PER ARCH.
3. MINERAL WOOL INSULATION, THICKNESS PER ARCH.
4. NVELOPE CLIP WITH THERMAL SPACER, SIZE AS REQUIRED
5. VERTICAL ALUMINUM "L" OR "T" PROFILE BY NVELOPE
6. HORIZONTAL "OMEGA" OR "ZED" EXTRUSION BY NVELOPE
7. 5/8" GFRC PANEL, FLAT OR TEXTURED FINISH
8. PRE-DRILLED, COUNTERSUNK FASTENER HOLE (FLUSH MOUNT)
9. TORX HEAD EXPOSED FASTENER, PAINTED TO MATCH PANEL
10. BLACK PRE-FINISHED JOINT CLOSURE TRIM BY INSTALLER



NOTE: MINIMUM STUD THICKNESS AS REQUIRED PER PROJECT SPECIFIC ENGINEERING

GUIDE DETAILS BY NVELOPE ARE PROVIDED FOR GENERAL REFERENCE ONLY AND REPRESENT TYPICAL CONDITIONS FOR CLADDING ATTACHMENT SYSTEMS. PROJECT SPECIFIC ENGINEERING IS REQUIRED TO ADDRESS WIND LOAD, CLADDING WEIGHT, TYPE, PROJECTION, SPACING, ETC. CONTACT ENVELOPE FOR ADDITIONAL INFORMATION. ANY AND ALL IMPLIED WARRANTIES INCLUDING APPROPRIATENESS FOR A SPECIFIC PURPOSE ARE EXPLICITLY EXCLUDED.

SFS Group USA, Inc.  
Construction Division  
1045 Spring Street  
Wyomissing, PA 19610  
T: +1 (610) 790-2645

**SFS** intec

e. [info@nvelope.us](mailto:info@nvelope.us)  
w. <http://www.nvelope.us>

System:

SYSTEM: **NV1-OMEGA**  
CLADDING: **GFRC or HPL (EXPOSED FIXING)**

Sheet Title:

Plan Detail - Steel Stud Framed Wall

Issue Date:

07/01/17

System ID:

NV1-Omega

Scale:

6" = 1'-0"

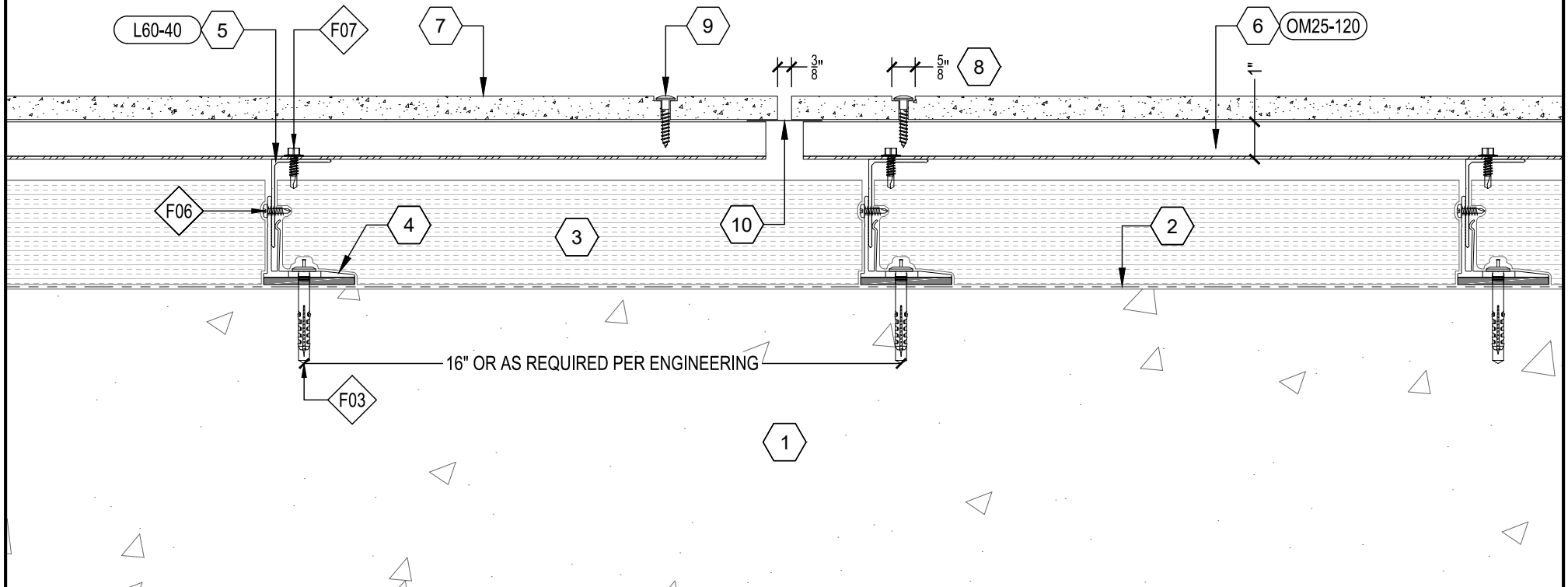
Sheet:

D-01a

**NVELOPE**  
MAKING CLADDING HAPPEN  
<http://www.nvelope.us> [info@nvelope.us](mailto:info@nvelope.us)

## DRAWING KEYNOTES

1. CONCRETE WALL ASSEMBLY PER STRUCT.
2. WEATHER AND AIR BARRIER PER ARCH.
3. MINERAL WOOL INSULATION, THICKNESS PER ARCH.
4. NVELOPE CLIP WITH THERMAL SPACER, SIZE AS REQUIRED
5. VERTICAL ALUMINUM "L" OR "T" PROFILE BY NVELOPE
6. HORIZONTAL "OMEGA" OR "ZED" EXTRUSION BY NVELOPE
7. 5/8" GFRP PANEL, FLAT OR TEXTURED FINISH
8. PRE-DRILLED, COUNTERSUNK FASTENER HOLE (FLUSH MOUNT)
9. TORX HEAD EXPOSED FASTENER, PAINTED TO MATCH PANEL
10. BLACK PRE-FINISHED JOINT CLOSURE TRIM BY INSTALLER



GUIDE DETAILS BY NVELOPE ARE PROVIDED FOR GENERAL REFERENCE ONLY AND REPRESENT TYPICAL CONDITIONS FOR CLADDING ATTACHMENT SYSTEMS. PROJECT SPECIFIC ENGINEERING IS REQUIRED TO ADDRESS WIND LOAD, CLADDING WEIGHT, TYPE, PROJECTION, SPACING, ETC. CONTACT ENVELOPE FOR ADDITIONAL INFORMATION. ANY AND ALL IMPLIED WARRANTIES INCLUDING APPROPRIATENESS FOR A SPECIFIC PURPOSE ARE EXPLICITLY EXCLUDED.

SFS Group USA, Inc.  
Construction Division  
1045 Spring Street  
Wyomissing, PA 19610  
T: +1 (610) 790-2645

**SFS** intec

e. [info@nvelope.us](mailto:info@nvelope.us)  
w. <http://www.nvelope.us>

System:

SYSTEM: **NV1-OMEGA**  
CLADDING: GFRP or HPL (EXPOSED FIXING)

Sheet Title:

Plan Detail at Concrete Wall

Issue Date:

07/01/17

System ID:

NV1-Omega

Scale:

6" = 1'-0"

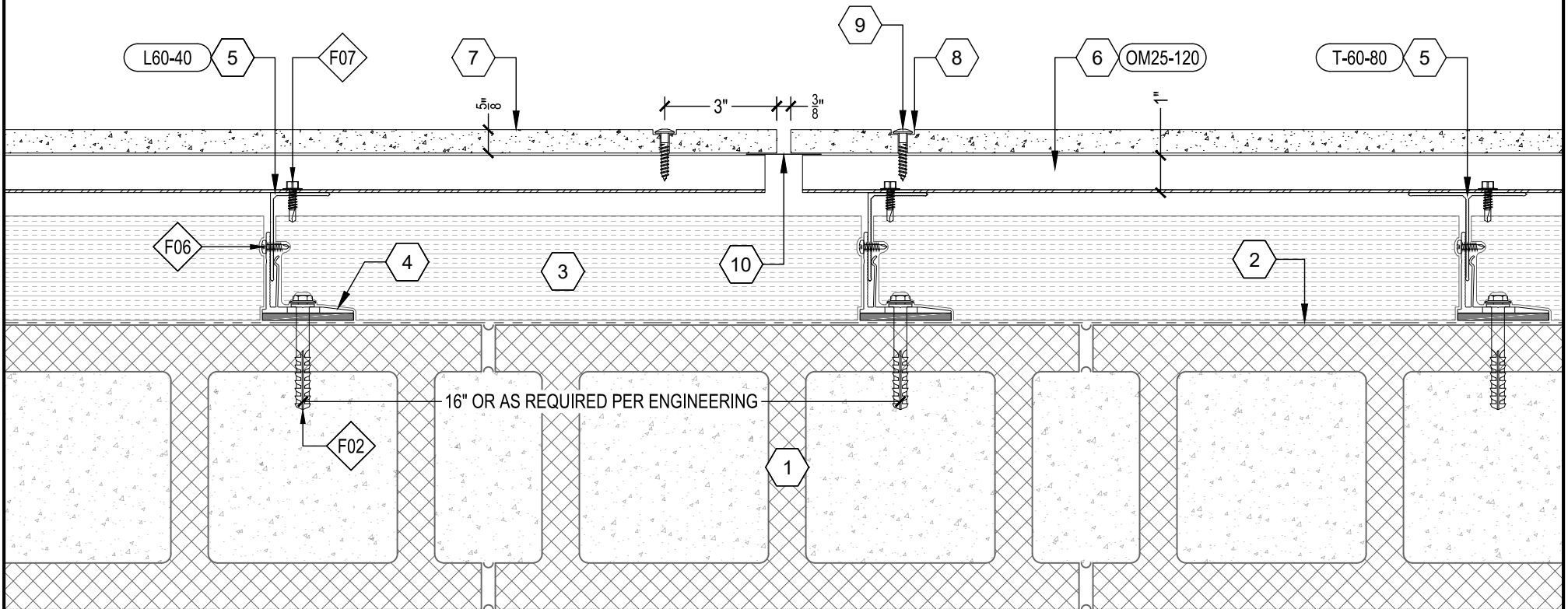
Sheet:

**D-01b**

**NVELOPE**  
MAKING CLADDING HAPPEN  
<http://www.nvelope.us> [info@nvelope.us](mailto:info@nvelope.us)

## DRAWING KEYNOTES

1. STRUCTURAL CMU WALL ASSEMBLY PER STRUCT.
2. WEATHER AND AIR BARRIER PER ARCH.
3. MINERAL WOOL INSULATION, THICKNESS PER ARCH.
4. NVELOPE CLIP WITH THERMAL SPACER, SIZE AS REQUIRED
5. VERTICAL ALUMINUM "L" OR "T" PROFILE BY NVELOPE
6. HORIZONTAL "OMEGA" OR "ZED" EXTRUSION BY NVELOPE
7. 5/8" GFRC PANEL, FLAT OR TEXTURED FINISH
8. PRE-DRILLED, COUNTERSUNK FASTENER HOLE (FLUSH MOUNT)
9. TORX HEAD EXPOSED FASTENER, PAINTED TO MATCH PANEL
10. BLACK PRE-FINISHED JOINT CLOSURE TRIM BY INSTALLER



GUIDE DETAILS BY NVELOPE ARE PROVIDED FOR GENERAL REFERENCE ONLY AND REPRESENT TYPICAL CONDITIONS FOR CLADDING ATTACHMENT SYSTEMS. PROJECT SPECIFIC ENGINEERING IS REQUIRED TO ADDRESS WIND LOAD, CLADDING WEIGHT, TYPE, PROJECTION, SPACING, ETC. CONTACT ENVELOPE FOR ADDITIONAL INFORMATION. ANY AND ALL IMPLIED WARRANTIES INCLUDING APPROPRIATENESS FOR A SPECIFIC PURPOSE ARE EXPLICITLY EXCLUDED.

SFS Group USA, Inc.  
Construction Division  
1045 Spring Street  
Wyomissing, PA 19610  
T: +1 (610) 790-2645

e. [info@nvelope.us](mailto:info@nvelope.us)  
w. <http://www.nvelope.us>

**SFS** intec

System:

SYSTEM: **NV1-OMEGA**  
CLADDING: **GFRC or HPL (EXPOSED FIXING)**

Sheet Title:

Plan Detail at CMU/Masonry Wall

Issue Date:

07/01/17

System ID:

NV1-Omega

Scale:

6" = 1'-0"

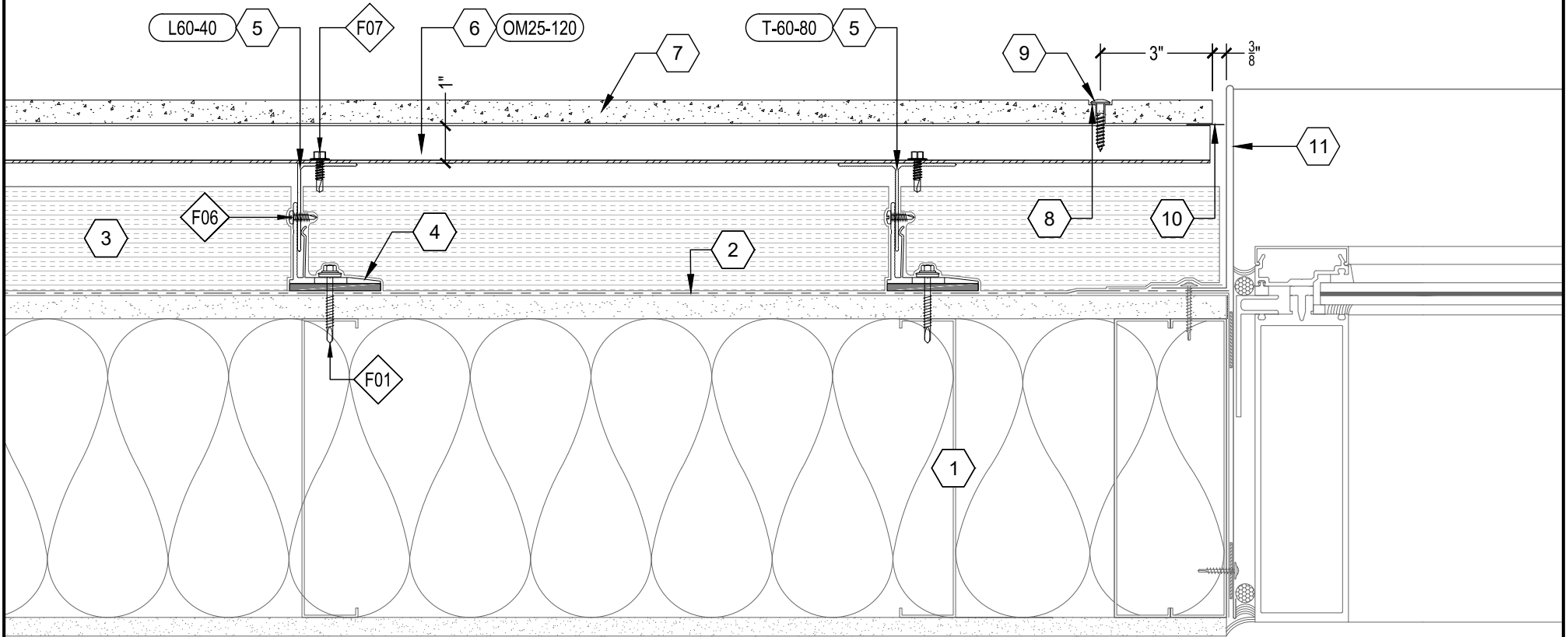
Sheet:

**D-01c**

**NVELOPE**  
MAKING CLADDING HAPPEN  
<http://www.nvelope.us> [info@nvelope.us](mailto:info@nvelope.us)

## DRAWING KEYNOTES

1. STUD FRAMED WALL ASSEMBLY PER ARCH.
2. WEATHER AND AIR BARRIER PER ARCH.
3. MINERAL WOOL INSULATION, THICKNESS PER ARCH.
4. NVELOPE CLIP WITH THERMAL SPACER, SIZE AS REQUIRED
5. VERTICAL ALUMINUM "L" OR "T" PROFILE BY NVELOPE
6. HORIZONTAL "OMEGA" OR "ZED" EXTRUSION BY NVELOPE
7. 5/8" GFRC PANEL, FLAT OR TEXTURED FINISH
8. PRE-DRILLED, COUNTERSUNK FASTENER HOLE (FLUSH MOUNT)
9. TORX HEAD EXPOSED FASTENER, PAINTED TO MATCH PANEL
10. BLACK PRE-FINISHED JOINT CLOSURE TRIM BY INSTALLER
11. METAL FLASHING AT WINDOW BY OTHERS



GUIDE DETAILS BY NVELOPE ARE PROVIDED FOR GENERAL REFERENCE ONLY AND REPRESENT TYPICAL CONDITIONS FOR CLADDING ATTACHMENT SYSTEMS. PROJECT SPECIFIC ENGINEERING IS REQUIRED TO ADDRESS WIND LOAD, CLADDING WEIGHT, TYPE, PROJECTION, SPACING, ETC. CONTACT ENVELOPE FOR ADDITIONAL INFORMATION. ANY AND ALL IMPLIED WARRANTIES INCLUDING APPROPRIATENESS FOR A SPECIFIC PURPOSE ARE EXPLICITLY EXCLUDED.

SFS Group USA, Inc.  
Construction Division  
1045 Spring Street  
Wyomissing, PA 19610  
T: +1 (610) 790-2645

e. [info@nvelope.us](mailto:info@nvelope.us)  
w. <http://www.nvelope.us>

**SFS** intec

System:

SYSTEM: **NV1-OMEGA**  
CLADDING: **GFRC or HPL (EXPOSED FIXING)**

Sheet Title:

Storefront Jamb Detail

Issue Date:

07/01/17

System ID:

NV1-Omega

Scale:

6" = 1'-0"

Sheet:

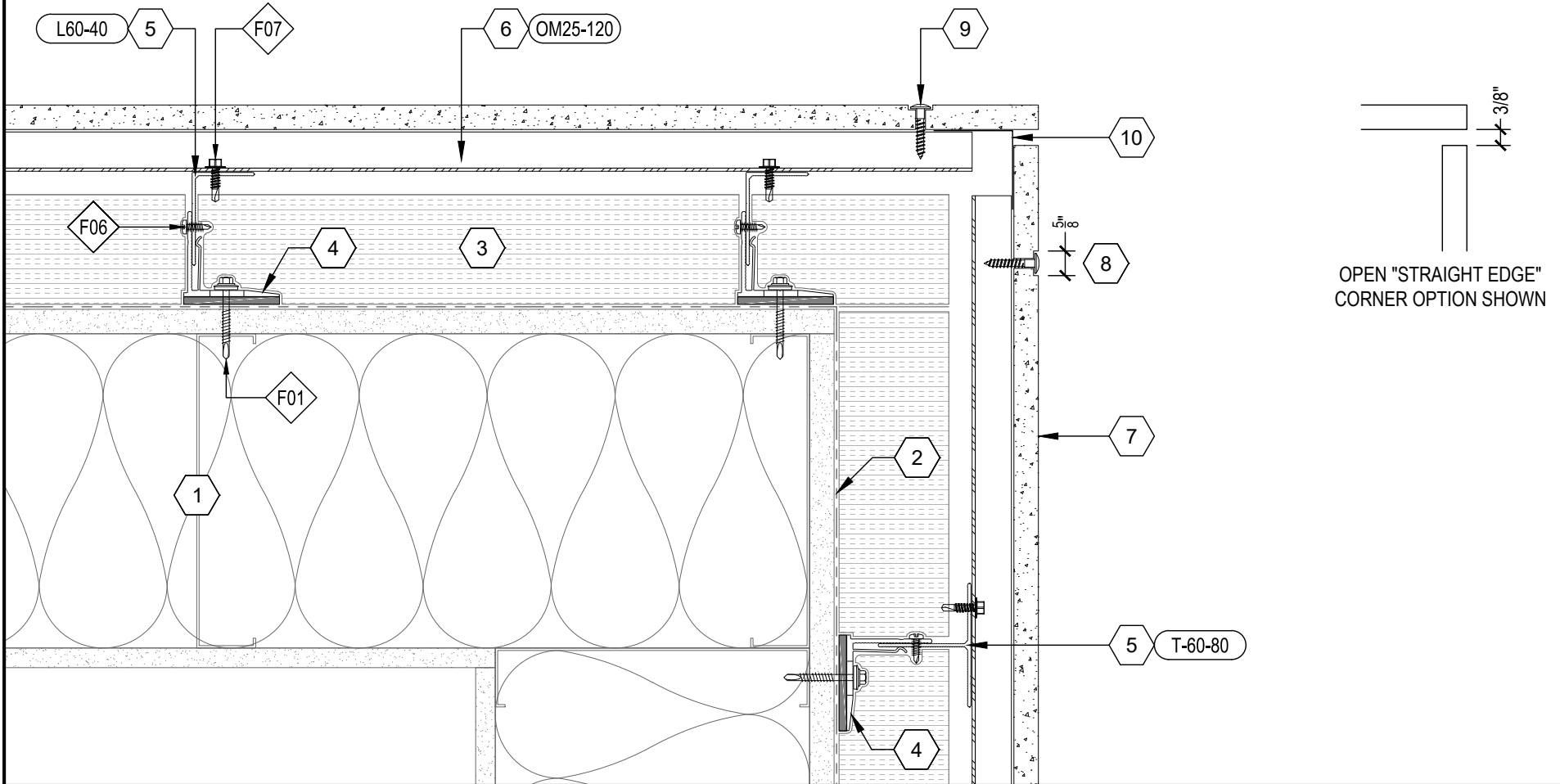
D-02

**NVELOPE**  
MAKING CLADDING HAPPEN  
<http://www.nvelope.us> [info@nvelope.us](mailto:info@nvelope.us)



## DRAWING KEYNOTES

1. STUD FRAMED WALL ASSEMBLY PER ARCH.
2. WEATHER AND AIR BARRIER PER ARCH.
3. MINERAL WOOL INSULATION, THICKNESS PER ARCH.
4. NVELOPE CLIP WITH THERMAL SPACER, SIZE AS REQUIRED
5. VERTICAL ALUMINUM "L" OR "T" PROFILE BY NVELOPE
6. HORIZONTAL "OMEGA" OR "ZED" EXTRUSION BY NVELOPE
7. 5/8" GFRC PANEL, FLAT OR TEXTURED FINISH
8. PRE-DRILLED, COUNTERSUNK FASTENER HOLE (FLUSH MOUNT)
9. TORX HEAD EXPOSED FASTENER, PAINTED TO MATCH PANEL
10. BLACK PRE-FINISHED JOINT CLOSURE TRIM BY INSTALLER



GUIDE DETAILS BY NVELOPE ARE PROVIDED FOR GENERAL REFERENCE ONLY AND REPRESENT TYPICAL CONDITIONS FOR CLADDING ATTACHMENT SYSTEMS. PROJECT SPECIFIC ENGINEERING IS REQUIRED TO ADDRESS WIND LOAD, CLADDING WEIGHT, TYPE, PROJECTION, SPACING, ETC. CONTACT ENVELOPE FOR ADDITIONAL INFORMATION. ANY AND ALL IMPLIED WARRANTIES INCLUDING APPROPRIATENESS FOR A SPECIFIC PURPOSE ARE EXPLICITLY EXCLUDED.

SFS Group USA, Inc.  
Construction Division  
1045 Spring Street  
Wyomissing, PA 19610  
T: +1 (610) 790-2645

**SFS** intec

e. [info@nvelope.us](mailto:info@nvelope.us)  
w. <http://www.nvelope.us>

System:

SYSTEM: **NV1-OMEGA**  
CLADDING: GFRC or HPL (EXPOSED FIXING)

Sheet Title:

Outside Corner Detail

Issue Date:

07/01/17

System ID:

NV1-Omega

Scale:

6" = 1'-0"

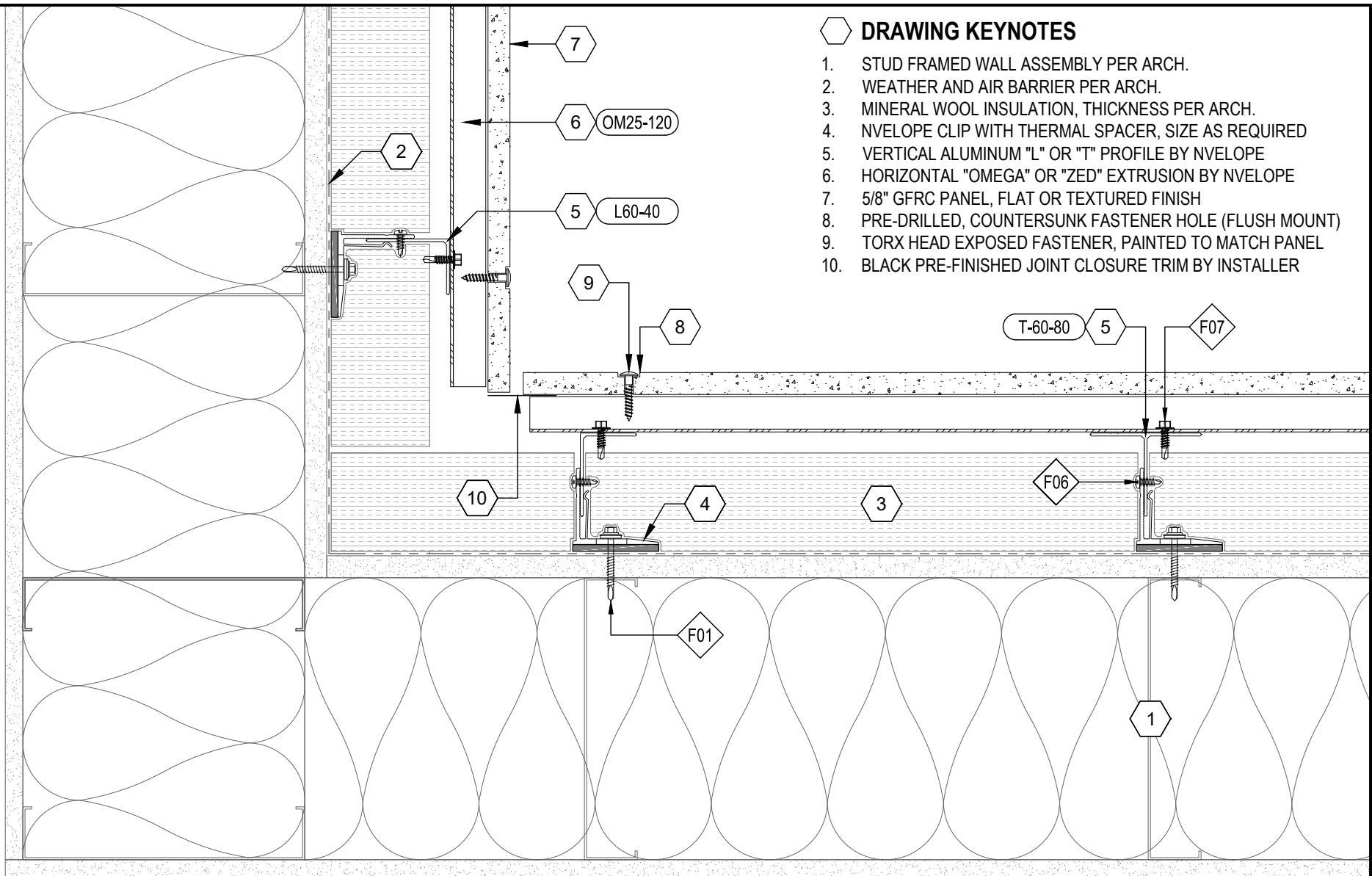
Sheet:

D-03

**NVELOPE**  
MAKING CLADDING HAPPEN  
<http://www.nvelope.us> [info@nvelope.us](mailto:info@nvelope.us)

## DRAWING KEYNOTES

1. STUD FRAMED WALL ASSEMBLY PER ARCH.
2. WEATHER AND AIR BARRIER PER ARCH.
3. MINERAL WOOL INSULATION, THICKNESS PER ARCH.
4. NVELOPE CLIP WITH THERMAL SPACER, SIZE AS REQUIRED
5. VERTICAL ALUMINUM "L" OR "T" PROFILE BY NVELOPE
6. HORIZONTAL "OMEGA" OR "ZED" EXTRUSION BY NVELOPE
7. 5/8" GFRC PANEL, FLAT OR TEXTURED FINISH
8. PRE-DRILLED, COUNTERSUNK FASTENER (FLUSH MOUNT)
9. TORX HEAD EXPOSED FASTENER, PAINTED TO MATCH PANEL
10. BLACK PRE-FINISHED JOINT CLOSURE TRIM BY INSTALLER



GUIDE DETAILS BY NVELOPE ARE PROVIDED FOR GENERAL REFERENCE ONLY AND REPRESENT TYPICAL CONDITIONS FOR CLADDING ATTACHMENT SYSTEMS. PROJECT SPECIFIC ENGINEERING IS REQUIRED TO ADDRESS WIND LOAD, CLADDING WEIGHT, TYPE, PROJECTION, SPACING, ETC. CONTACT ENVELOPE FOR ADDITIONAL INFORMATION. ANY AND ALL IMPLIED WARRANTIES INCLUDING APPROPRIATENESS FOR A SPECIFIC PURPOSE ARE EXPLICITLY EXCLUDED.

SFS Group USA, Inc.  
Construction Division  
1045 Spring Street  
Wyomissing, PA 19610  
T: +1 (610) 790-2645

e. [info@nvelope.us](mailto:info@nvelope.us)  
w. <http://www.nvelope.us>

**SFS** intec

Sheet Title:  
Inside Corner Detail

Issue Date:  
07/01/17

Scale:  
6" = 1'-0"

System ID:  
NV1-OMEGA

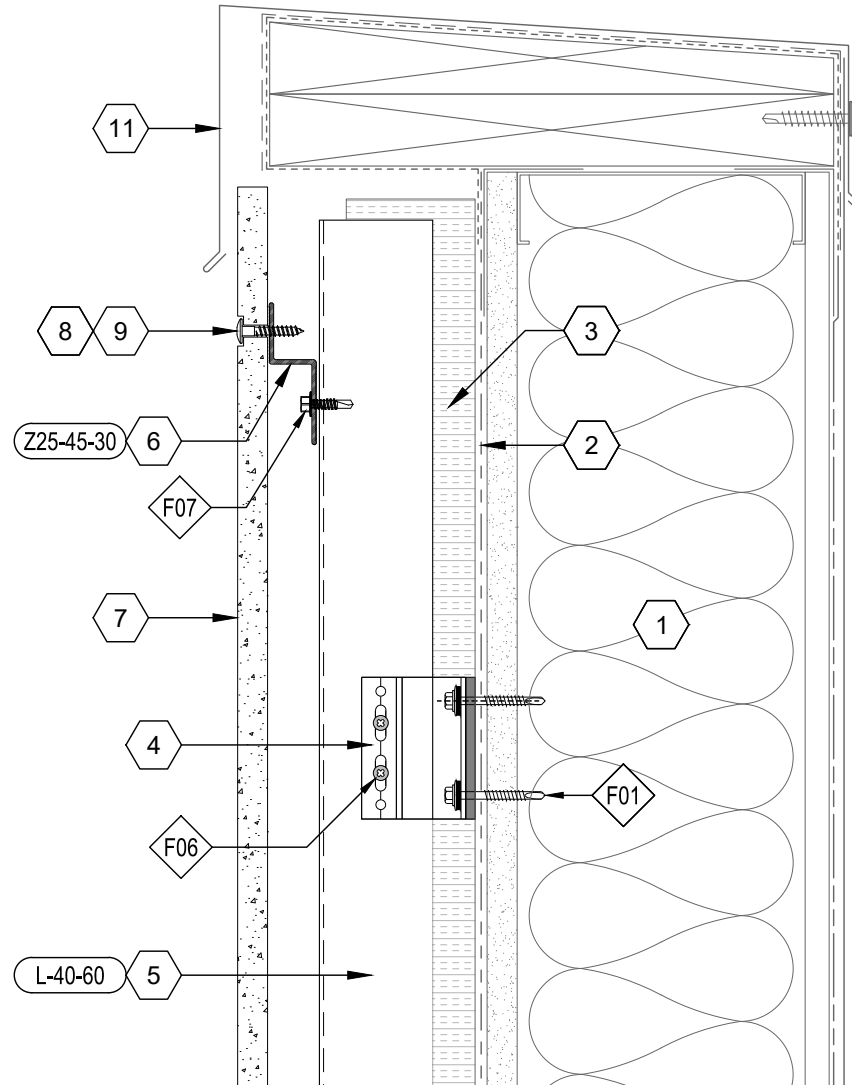
Sheet:  
D-04

**NVELOPE**  
MAKING CLADDING HAPPEN  
<http://www.nvelope.us> [info@nvelope.us](mailto:info@nvelope.us)

System:  
SYSTEM: **NV1-Omega**  
CLADDING: **GFRC or HPL (EXPOSED FIXING)**

## DRAWING KEYNOTES

1. STUD FRAMED WALL ASSEMBLY PER ARCH.
2. WEATHER AND AIR BARRIER PER ARCH.
3. MINERAL WOOL INSULATION, THICKNESS PER ARCH.
4. NVELOPE CLIP WITH THERMAL SPACER, SIZE AS REQUIRED
5. VERTICAL ALUMINUM "L" OR "T" PROFILE BY NVELOPE
6. HORIZONTAL "OMEGA" OR "ZED" EXTRUSION BY NVELOPE
7. 5/8" GFRC PANEL, FLAT OR TEXTURED FINISH
8. PRE-DRILLED, COUNTERSUNK FASTENER HOLE (FLUSH MOUNT)
9. TORX HEAD EXPOSED FASTENER, PAINTED TO MATCH PANEL
10. NOT-USED
11. SHEET METAL COPING BY OTHERS



GUIDE DETAILS BY NVELOPE ARE PROVIDED FOR GENERAL REFERENCE ONLY AND REPRESENT TYPICAL CONDITIONS FOR CLADDING ATTACHMENT SYSTEMS. PROJECT SPECIFIC ENGINEERING IS REQUIRED TO ADDRESS WIND LOAD, CLADDING WEIGHT, TYPE, PROJECTION, SPACING, ETC. CONTACT ENVELOPE FOR ADDITIONAL INFORMATION. ANY AND ALL IMPLIED WARRANTIES INCLUDING APPROPRIATENESS FOR A SPECIFIC PURPOSE ARE EXPLICITLY EXCLUDED.

SFS Group USA, Inc.  
Construction Division  
1045 Spring Street  
Wyomissing, PA 19610  
T: +1 (610) 790-2645

e. [info@nvelope.us](mailto:info@nvelope.us)  
w. <http://www.nvelope.us>

**SFS** intec

System:

SYSTEM: **NV1-OMEGA**  
CLADDING: **GFRC or HPL (EXPOSED FIXING)**

Sheet Title:

Typical Parapet Detail

Issue Date:

07/01/17

System ID:

NV1-Omega

Scale:

6" = 1'-0"

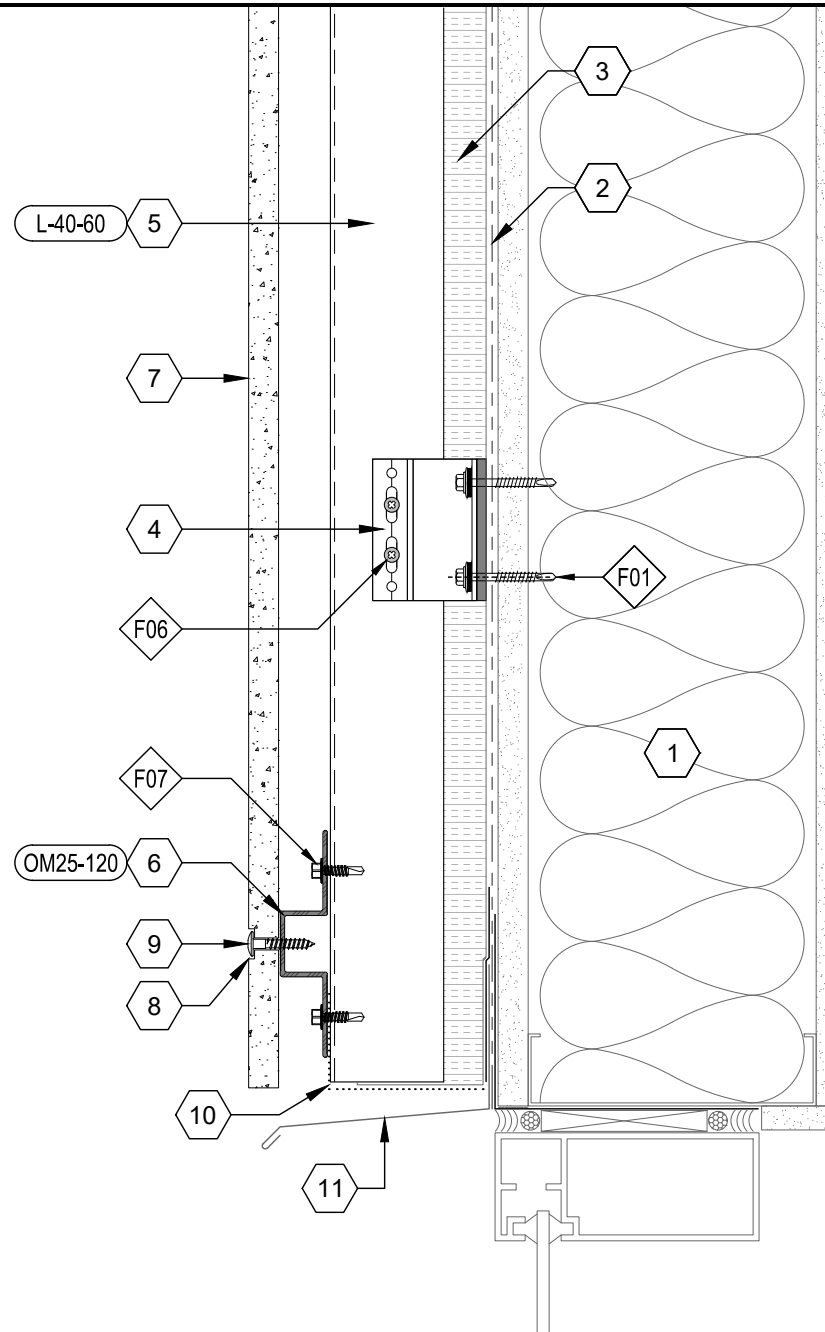
Sheet:

D-05

**NVELOPE**  
MAKING CLADDING HAPPEN  
<http://www.nvelope.us> [info@nvelope.us](mailto:info@nvelope.us)

## DRAWING KEYNOTES

1. STUD FRAMED WALL ASSEMBLY PER ARCH.
2. WEATHER AND AIR BARRIER PER ARCH.
3. MINERAL WOOL INSULATION, THICKNESS PER ARCH.
4. NVELOPE CLIP WITH THERMAL SPACER, SIZE AS REQUIRED
5. VERTICAL ALUMINUM "L" OR "T" PROFILE BY NVELOPE
6. HORIZONTAL "OMEGA" OR "ZED" EXTRUSION BY NVELOPE
7. 5/8" GFRP PANEL, FLAT OR TEXTURED FINISH
8. PRE-DRILLED, COUNTERSUNK FASTENER HOLE (FLUSH MOUNT)
9. TORX HEAD EXPOSED FASTENER, PAINTED TO MATCH PANEL
10. PERFORATED SCREEN CLOSURE PER INSTALLER
11. SHEET METAL HEAD FLASHING BY OTHERS



GUIDE DETAILS BY NVELOPE ARE PROVIDED FOR GENERAL REFERENCE ONLY AND REPRESENT TYPICAL CONDITIONS FOR CLADDING ATTACHMENT SYSTEMS. PROJECT SPECIFIC ENGINEERING IS REQUIRED TO ADDRESS WIND LOAD, CLADDING WEIGHT, TYPE, PROJECTION, SPACING, ETC. CONTACT ENVELOPE FOR ADDITIONAL INFORMATION. ANY AND ALL IMPLIED WARRANTIES INCLUDING APPROPRIATENESS FOR A SPECIFIC PURPOSE ARE EXPLICITLY EXCLUDED.

SFS Group USA, Inc.  
Construction Division  
1045 Spring Street  
Wyomissing, PA 19610  
T: +1 (610) 790-2645

e. [info@nvelope.us](mailto:info@nvelope.us)  
w. <http://www.nvelope.us>

**SFS** intec

System:

SYSTEM: **NV1-OMEGA**  
CLADDING: GFRP or HPL (EXPOSED FIXING)

Sheet Title:

Storefront Head Detail

Issue Date:

07/01/17

System ID:

NV1-Omega

Scale:

6" = 1'-0"

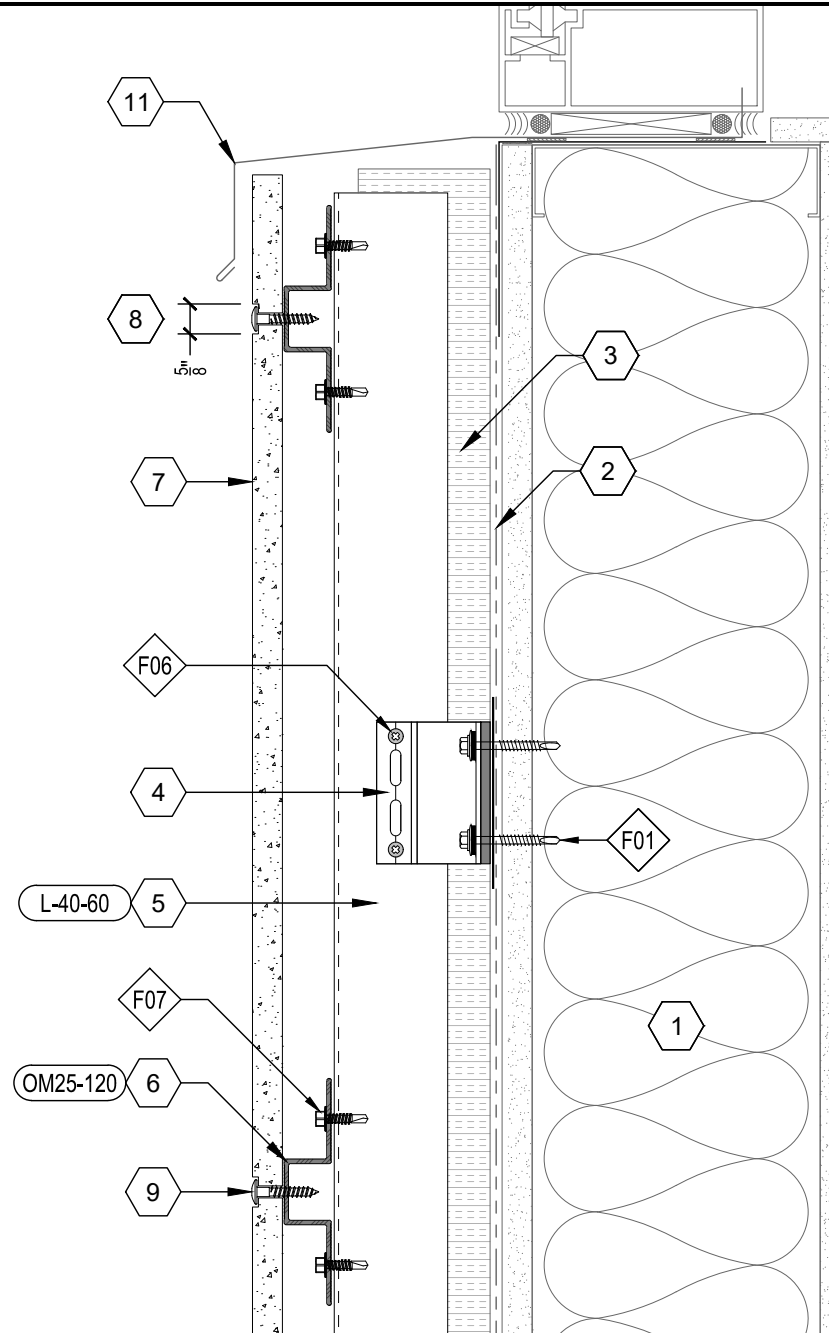
Sheet:

D-06

**NVELOPE**  
MAKING CLADDING HAPPEN  
<http://www.nvelope.us> [info@nvelope.us](mailto:info@nvelope.us)

## DRAWING KEYNOTES

1. STUD FRAMED WALL ASSEMBLY PER ARCH.
2. WEATHER AND AIR BARRIER PER ARCH.
3. MINERAL WOOL INSULATION, THICKNESS PER ARCH.
4. NVELOPE CLIP WITH THERMAL SPACER, SIZE AS REQUIRED
5. VERTICAL ALUMINUM "L" OR "T" PROFILE BY NVELOPE
6. HORIZONTAL "OMEGA" OR "ZED" EXTRUSION BY NVELOPE
7. 5/8" GFRG PANEL, FLAT OR TEXTURED FINISH
8. PRE-DRILLED, COUNTERSUNK FASTENER HOLE (FLUSH MOUNT)
9. TORX HEAD EXPOSED FASTENER, PAINTED TO MATCH PANEL
10. NOT USED
11. SHEET METAL SILL FLASHING BY OTHERS



GUIDE DETAILS BY NVELOPE ARE PROVIDED FOR GENERAL REFERENCE ONLY AND REPRESENT TYPICAL CONDITIONS FOR CLADDING ATTACHMENT SYSTEMS. PROJECT SPECIFIC ENGINEERING IS REQUIRED TO ADDRESS WIND LOAD, CLADDING WEIGHT, TYPE, PROJECTION, SPACING, ETC. CONTACT ENVELOPE FOR ADDITIONAL INFORMATION. ANY AND ALL IMPLIED WARRANTIES INCLUDING APPROPRIATENESS FOR A SPECIFIC PURPOSE ARE EXPLICITLY EXCLUDED.

SFS Group USA, Inc.  
Construction Division  
1045 Spring Street  
Wyomissing, PA 19610  
T: +1 (610) 790-2645

e. [info@nvelope.us](mailto:info@nvelope.us)  
w. <http://www.nvelope.us>

**SFS** intec

System:

SYSTEM: **NV1-OMEGA**  
CLADDING: GFRG or HPL (EXPOSED FIXING)

Sheet Title:  
**Storefront Sill**

Issue Date:  
**07/01/17**

Scale:  
**6" = 1'-0"**

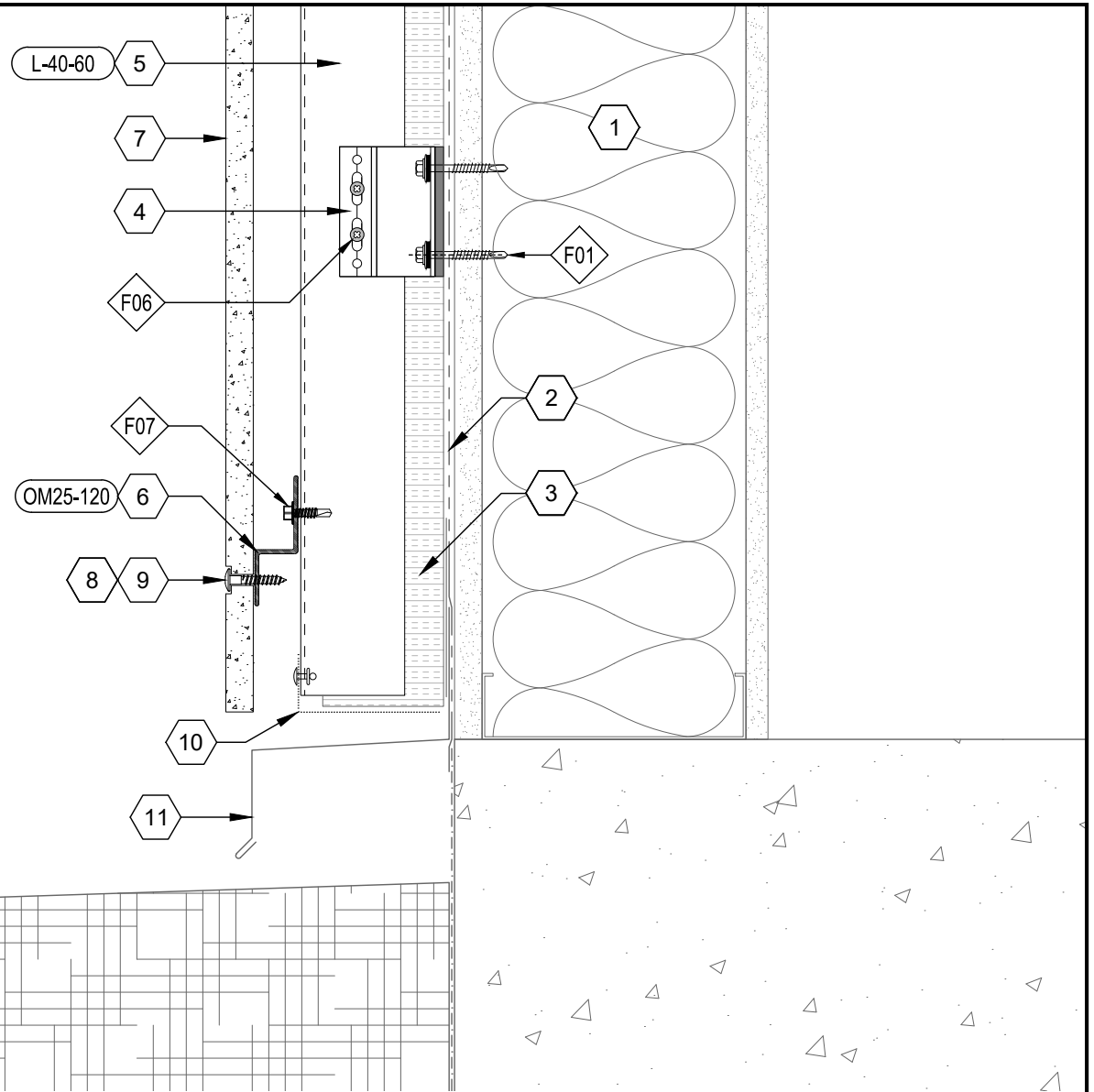
System ID:  
**NV1-Omega**

Sheet:  
**D-07**

**NVELOPE**  
MAKING CLADDING HAPPEN  
<http://www.nvelope.us> [info@nvelope.us](mailto:info@nvelope.us)

## DRAWING KEYNOTES

1. STUD FRAMED WALL ASSEMBLY PER ARCH.
2. WEATHER AND AIR BARRIER PER ARCH.
3. MINERAL WOOL INSULATION, THICKNESS PER ARCH.
4. NVELOPE CLIP WITH THERMAL SPACER, SIZE AS REQUIRED
5. VERTICAL ALUMINUM "L" OR "T" PROFILE BY NVELOPE
6. HORIZONTAL "OMEGA" OR "ZED" EXTRUSION BY NVELOPE
7. 5/8" GFRC PANEL, FLAT OR TEXTURED FINISH
8. PRE-DRILLED, COUNTERSUNK FASTENER (FLUSH MOUNT)
9. TORX HEAD EXPOSED FASTENER, PAINTED TO MATCH PANEL
10. PERFORATED SCREEN CLOSURE PER INSTALLER
11. SHEET METAL BASE FLASHING BY OTHERS



GUIDE DETAILS BY NVELOPE ARE PROVIDED FOR GENERAL REFERENCE ONLY AND REPRESENT TYPICAL CONDITIONS FOR CLADDING ATTACHMENT SYSTEMS. PROJECT SPECIFIC ENGINEERING IS REQUIRED TO ADDRESS WIND LOAD, CLADDING WEIGHT, TYPE, PROJECTION, SPACING, ETC. CONTACT ENVELOPE FOR ADDITIONAL INFORMATION. ANY AND ALL IMPLIED WARRANTIES INCLUDING APPROPRIATENESS FOR A SPECIFIC PURPOSE ARE EXPLICITLY EXCLUDED.

SFS Group USA, Inc.  
Construction Division  
1045 Spring Street  
Wyomissing, PA 19610  
T: +1 (610) 790-2645

e. [info@nvelope.us](mailto:info@nvelope.us)  
w. <http://www.nvelope.us>

**SFS** intec

Sheet Title:  
**Base Detail**

Issue Date:  
**07/01/17**

Scale:  
**6" = 1'-0"**

System ID:  
**NV1-Omega**

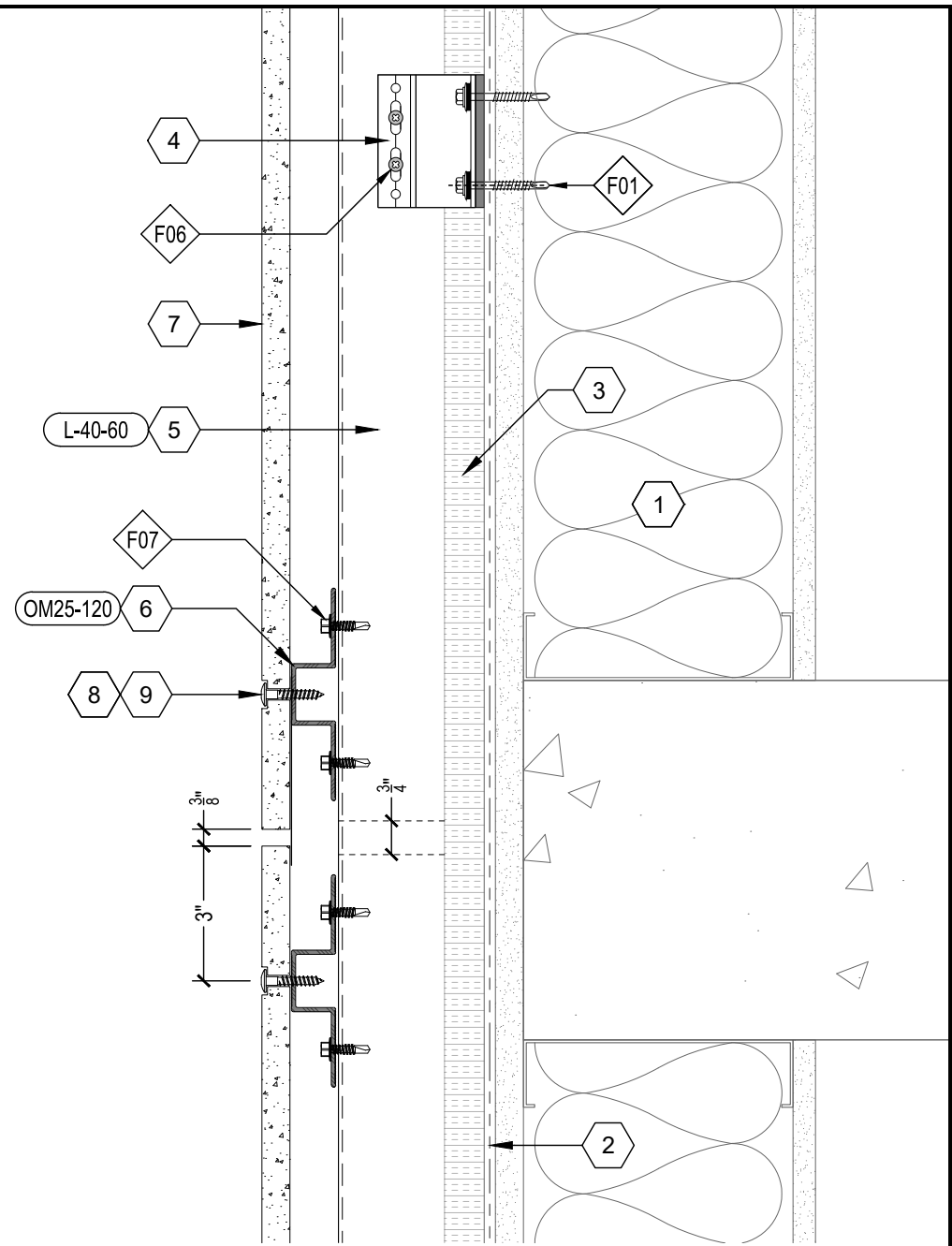
Sheet:  
**D-08**

**NVELOPE**  
MAKING CLADDING HAPPEN  
<http://www.nvelope.us> [info@nvelope.us](mailto:info@nvelope.us)

System:  
SYSTEM: **NV1-OMEGA**  
CLADDING: **GFRC or HPL (EXPOSED FIXING)**

## DRAWING KEYNOTES

1. STUD FRAMED WALL ASSEMBLY PER ARCH.
2. WEATHER AND AIR BARRIER PER ARCH.
3. MINERAL WOOL INSULATION, THICKNESS PER ARCH.
4. NVELOPE CLIP WITH THERMAL SPACER, SIZE AS REQUIRED
5. VERTICAL ALUMINUM "L" OR "T" PROFILE BY NVELOPE
6. HORIZONTAL "OMEGA" OR "ZED" EXTRUSION BY NVELOPE
7. 5/8" GFRG PANEL, FLAT OR TEXTURED FINISH
8. PRE-DRILLED, COUNTERSUNK FASTENER HOLE (FLUSH MOUNT)
9. TORX HEAD EXPOSED FASTENER, PAINTED TO MATCH PANEL
10. BLACK PRE-FINISHED CLOSURE TRIM AT JOINT PER INSTALLER



GUIDE DETAILS BY NVELOPE ARE PROVIDED FOR GENERAL REFERENCE ONLY AND REPRESENT TYPICAL CONDITIONS FOR CLADDING ATTACHMENT SYSTEMS. PROJECT SPECIFIC ENGINEERING IS REQUIRED TO ADDRESS WIND LOAD, CLADDING WEIGHT, TYPE, PROJECTION, SPACING, ETC. CONTACT ENVELOPE FOR ADDITIONAL INFORMATION. ANY AND ALL IMPLIED WARRANTIES INCLUDING APPROPRIATENESS FOR A SPECIFIC PURPOSE ARE EXPLICITLY EXCLUDED.

SFS Group USA, Inc.  
Construction Division  
1045 Spring Street  
Wyomissing, PA 19610  
T: +1 (610) 790-2645

e. [info@nvelope.us](mailto:info@nvelope.us)  
w. <http://www.nvelope.us>

**SFS** intec

Sheet Title:  
**Horizontal Panel Joint**

Issue Date:  
**07/01/17**

Scale:  
**6" = 1'-0"**

System ID:  
**NV1-Omega**

Sheet:  
**D-09**

**NVELOPE**  
MAKING CLADDING HAPPEN  
<http://www.nvelope.us> [info@nvelope.us](mailto:info@nvelope.us)

System:  
SYSTEM: **NV1-OMEGA**  
CLADDING: **GFRG or HPL (EXPOSED FIXING)**