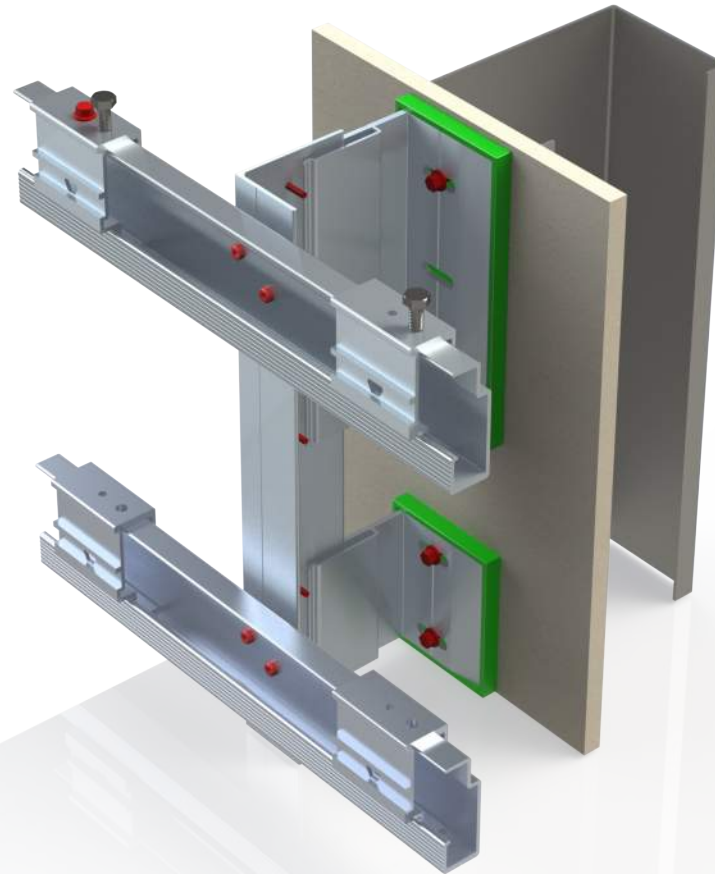


Thermally Broken Cladding Support System NV3 - GFRC or UHPC (Concealed Fixing)



S-01	Nvelope Bracket Details
S-02	Nvelope Rail & Profile Details
S-03	Nvelope Fastener Details
S-04	NV3 Standard System Components
D-01a	Plan Detail - Steel Stud Framed Wall
D-01b	Plan Detail - Concrete Wall
D-01c	Plan Detail - CMU/Masonry Wall
D-02	Storefront Jamb Detail
D-03	Outside Corner Detail
D-04	Inside Corner Detail
D-05	Parapet Detail
D-06	Storefront Head Detail
D-07	Storefront Sill Detail
D-08	Base Detail
D-09	Horizontal Panel Joint

GUIDE DETAILS BY NVELOPE ARE PROVIDED FOR GENERAL REFERENCE ONLY AND REPRESENT TYPICAL CONDITIONS FOR CLADDING ATTACHMENT SYSTEMS. PROJECT SPECIFIC ENGINEERING IS REQUIRED TO ADDRESS WIND LOAD, CLADDING WEIGHT, TYPE, PROJECTION, SPACING, ETC. CONTACT ENVELOPE FOR ADDITIONAL INFORMATION. ANY AND ALL IMPLIED WARRANTIES INCLUDING APPROPRIATENESS FOR A SPECIFIC PURPOSE ARE EXPLICITLY EXCLUDED.

SFS Group USA, Inc.
Construction Division
1045 Spring Street
Wyomissing, PA 19610
T: +1 (610) 790-2645



e. info@nvelope.us
w. <http://www.nvelope.us>

System:

SYSTEM: NV3-GFRC
CLADDING: GFRC or UHPC (CONCEALED FIXING)

Sheet Title: Coversheet & Drawing Index

Issue Date: 07/01/17

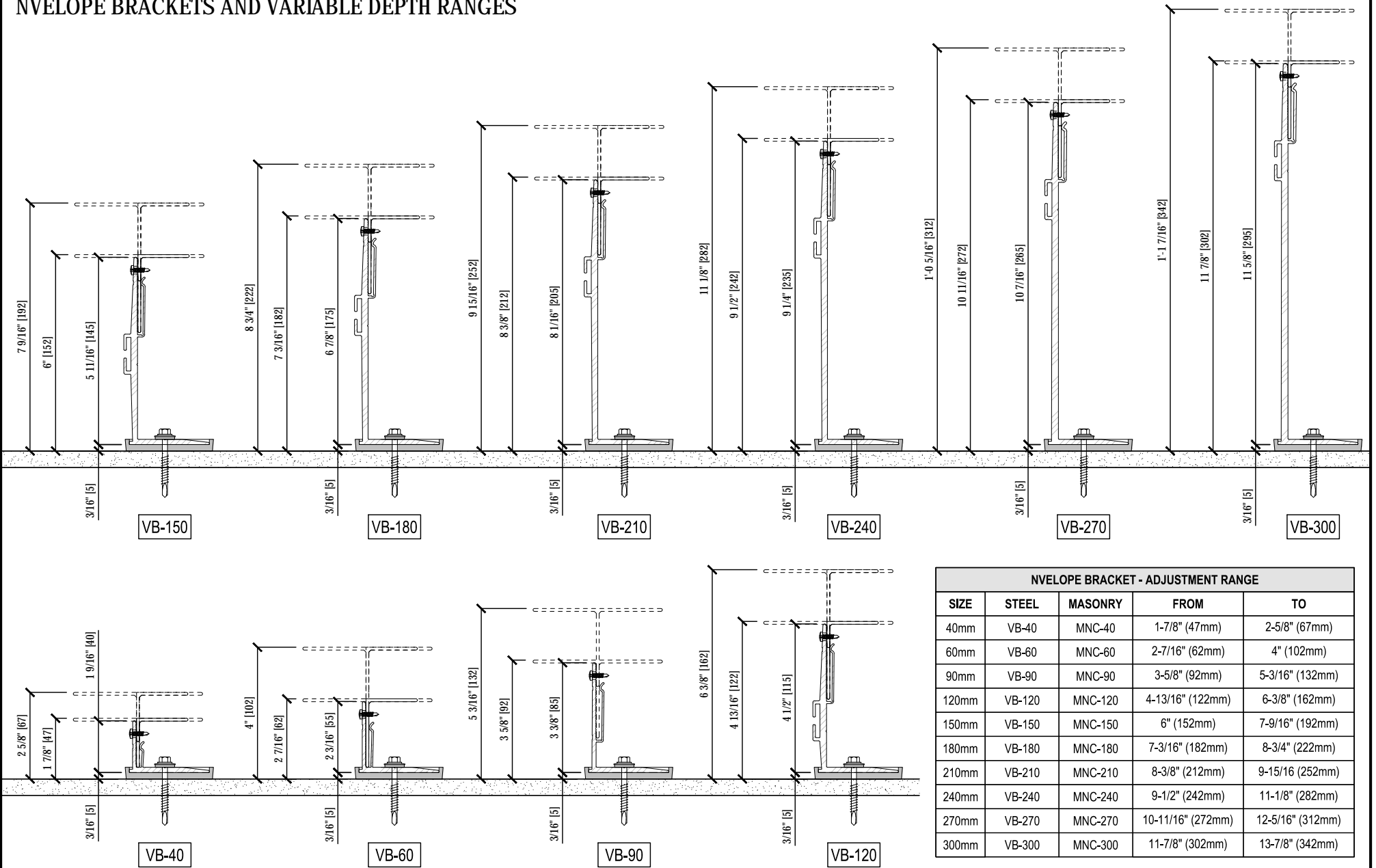
Scale: NTS

System ID: NV3-GFRC

Sheet: COVER

 **NVELOPE**
MAKING CLADDING HAPPEN
<http://www.nvelope.us> info@nvelope.us

NVELOPE BRACKETS AND VARIABLE DEPTH RANGES



NVELOPE BRACKET - ADJUSTMENT RANGE				
SIZE	STEEL	MASONRY	FROM	TO
40mm	VB-40	MNC-40	1-7/8" (47mm)	2-5/8" (67mm)
60mm	VB-60	MNC-60	2-7/16" (62mm)	4" (102mm)
90mm	VB-90	MNC-90	3-5/8" (92mm)	5-3/16" (132mm)
120mm	VB-120	MNC-120	4-13/16" (122mm)	6-3/8" (162mm)
150mm	VB-150	MNC-150	6" (152mm)	7-9/16" (192mm)
180mm	VB-180	MNC-180	7-3/16" (182mm)	8-3/4" (222mm)
210mm	VB-210	MNC-210	8-3/8" (212mm)	9-15/16" (252mm)
240mm	VB-240	MNC-240	9-1/2" (242mm)	11-1/8" (282mm)
270mm	VB-270	MNC-270	10-11/16" (272mm)	12-5/16" (312mm)
300mm	VB-300	MNC-300	11-7/8" (302mm)	13-7/8" (342mm)

GUIDE DETAILS BY NVELOPE ARE PROVIDED FOR GENERAL REFERENCE ONLY AND REPRESENT TYPICAL CONDITIONS FOR CLADDING ATTACHMENT SYSTEMS. PROJECT SPECIFIC ENGINEERING IS REQUIRED TO ADDRESS WIND LOAD, CLADDING WEIGHT, TYPE, PROJECTION, SPACING, ETC. CONTACT NVELOPE FOR ADDITIONAL INFORMATION. ANY AND ALL IMPLIED WARRANTIES INCLUDING APPROPRIATENESS FOR A SPECIFIC PURPOSE ARE EXPLICITLY EXCLUDED.

SFS Group USA, Inc.
Construction Division
1045 Spring Street
Wyomissing, PA 19610
T: +1 (610) 790-2645



e. info@nvelope.us
w. http://www.nvelope.us

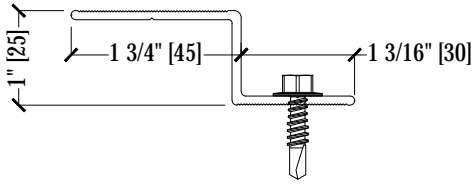
Sheet Title: NVELOPE BRACKET DETAILS	
Issue Date: 07/01/17	System ID: NV3-GFRC
Scale: 3" = 1'-0"	Sheet: S-01

NVELOPE
MAKING CLADDING HAPPEN
http://www.nvelope.us info@nvelope.us

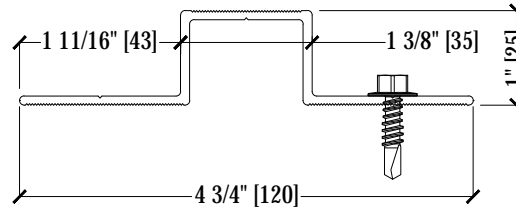
System:
SYSTEM: NV3-GFRC
CLADDING: GFRC or UHPC (CONCEALED FIXING)

NVELOPE CLADDING RAILS MOUNTING AND PROFILES

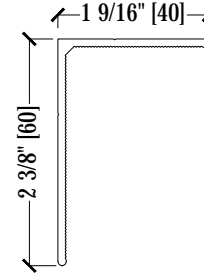
Z25-45-30
2.4MM



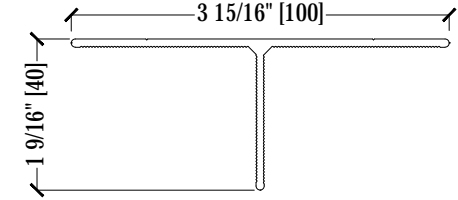
OM25-120
2.4MM



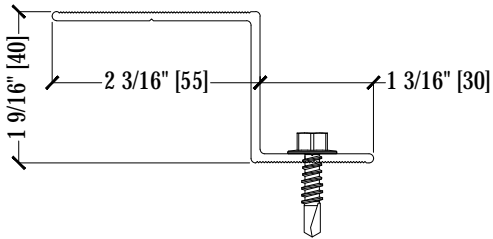
L60-40
2.2MM



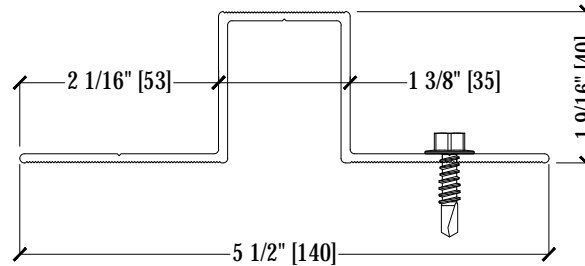
T40-100
2.2MM



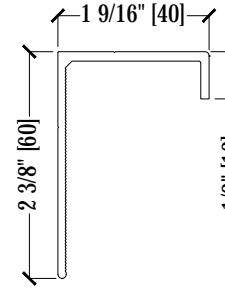
Z40-55-30
2.4MM



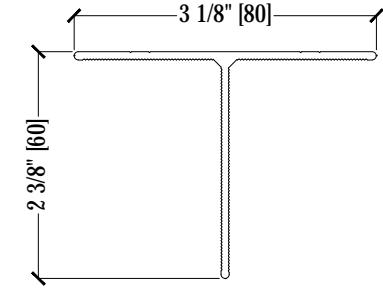
OM40-140
2.4MM



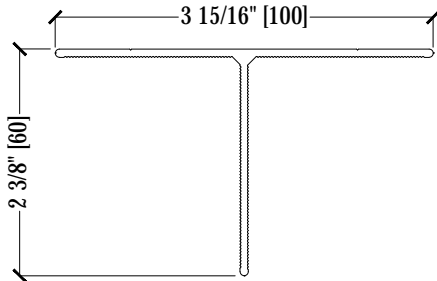
HBL60-40
2.5MM



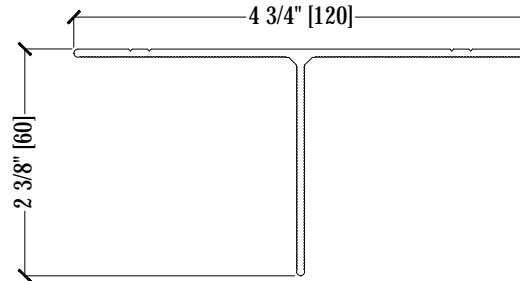
T60-80
2.2MM



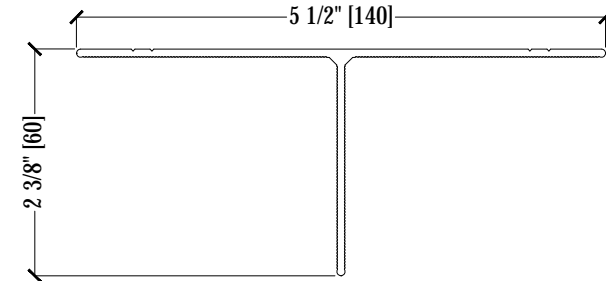
T60-100
2.2MM



T60-120
2.2MM



T60-140
2.2MM



GUIDE DETAILS BY NVELOPE ARE PROVIDED FOR GENERAL REFERENCE ONLY AND REPRESENT TYPICAL CONDITIONS FOR CLADDING ATTACHMENT SYSTEMS. PROJECT SPECIFIC ENGINEERING IS REQUIRED TO ADDRESS WIND LOAD, CLADDING WEIGHT, TYPE, PROJECTION, SPACING, ETC. CONTACT ENVELOPE FOR ADDITIONAL INFORMATION. ANY AND ALL IMPLIED WARRANTIES INCLUDING APPROPRIATENESS FOR A SPECIFIC PURPOSE ARE EXPLICITLY EXCLUDED.

SFS Group USA, Inc.
Construction Division
1045 Spring Street
Wyomissing, PA 19610
T: +1 (610) 790-2645



e. info@nvelope.us
w. http://www.nvelope.us

Sheet Title: NVELOPE RAIL & PROFILE DETAILS

Issue Date: 07/01/17

Scale: 6" = 1'-0"

System ID: NV3-GFRC

Sheet: S-02

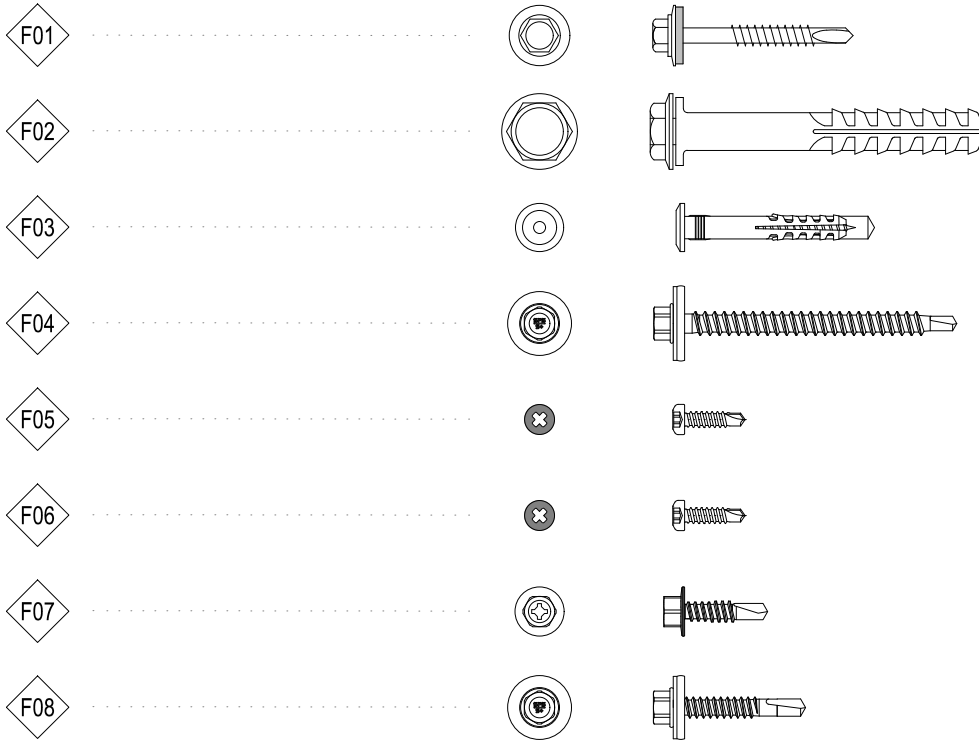
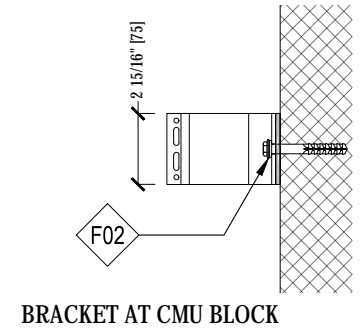
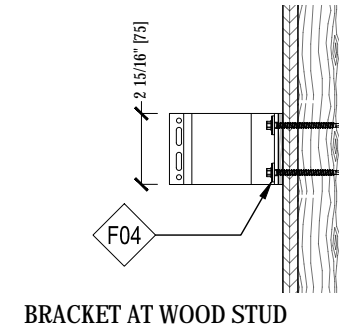
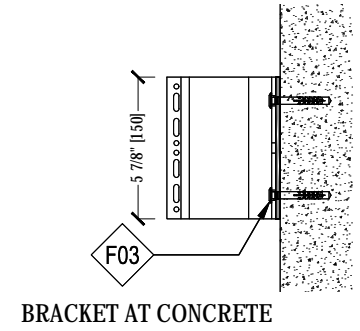
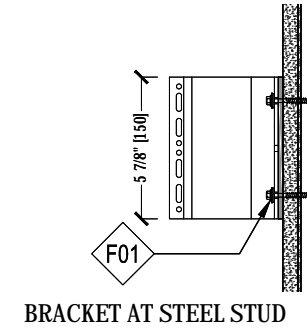


info@nvelope.us

System:
SYSTEM: NV3-GFRC
CLADDING: GFRC or UHPC (CONCEALED FIXING)

NVELOPE TYPICAL FASTENER LEGEND

NO:	TYPICAL USE & APPLICATION	LENGTH	DIAMETER	HEAD/DRIVE	TIP	PART
F01	Nvelope Bracket to Steel Stud Framing	2" (52mm)	#14 (0.24")	HWH	Self-Drill	1544249
F02	Nvelope Bracket to CMU Substrate	Varies*	11mm (Max)	Varies*	Varies*	Varies*
F03	Nvelope Bracket to Concrete Wall	Varies*	11mm (Max)	Varies*	Varies*	Varies*
F04	Nvelope Bracket to Wood Stud Framing	2-3/4" (72mm)	6.5mm	HWH	Self-Drill	1544250
F05	NH-2 Adapter to Nvelope Wall Bracket	3/4" (19mm)	4.8mm	Pan-Head/SR	Self-Drill	1544261
F06	Vertical Rail to Nvelope Wall Bracket	3/4" (19mm)	4.8mm	Pan-Head/SR	Self-Drill	1544261
F07	Horizontal Profiles to Vertical Rail	7/8" (22mm)	5.5mm	HWH	Self-Drill	1544263
F08	Horizontal NV-3 Rails to Vertical Rail	1-1/4" (32mm)	5.5mm	HWH	Self-Drill	1544248



GENERAL FASTENER NOTES:

1. CONCRETE AND MASONRY ANCHOR TYPES VARY BASED ON PROJECT SPECIFIC REQUIREMENTS INCLUDING BUT NOT LIMITED TO WIND LOADS, DEAD LOADS, BUILDING HEIGHT, SEISMIC/SAFETY FACTOR, OR ANY REQUIREMENTS MANDATED BY THE ENGINEER OF RECORD (EOR) AND/OR AUTHORITIES HAVING JURISDICTION (AHJ). CONTACT NVELOPE OR VISIT NVELOPE.US FOR ADDITIONAL INFORMATION AND CONSIDERATIONS.
2. EXPOSED CLADDING FASTENERS MAY VARY BY CLADDING TYPE, APPLICATION, SPACING, DESIGN INTENT AND DESIRED AESTHETIC AND/OR MANUFACTURER FIXING REQUIREMENTS. CONTACT NVELOPE FOR INFORMATION.

GUIDE DETAILS BY NVELOPE ARE PROVIDED FOR GENERAL REFERENCE ONLY AND REPRESENT TYPICAL CONDITIONS FOR CLADDING ATTACHMENT SYSTEMS. PROJECT SPECIFIC ENGINEERING IS REQUIRED TO ADDRESS WIND LOAD, CLADDING WEIGHT, TYPE, PROJECTION, SPACING, ETC. CONTACT ENVELOPE FOR ADDITIONAL INFORMATION. ANY AND ALL IMPLIED WARRANTIES INCLUDING APPROPRIATENESS FOR A SPECIFIC PURPOSE ARE EXPLICITLY EXCLUDED.

SFS Group USA, Inc.
Construction Division
1045 Spring Street
Wyomissing, PA 19610
T: +1 (610) 790-2645



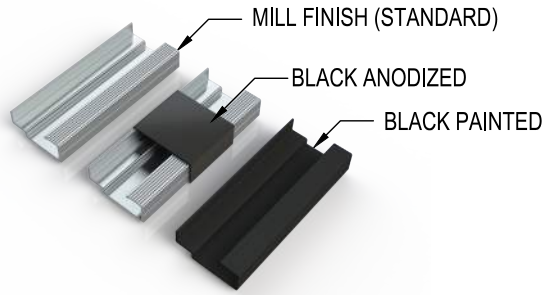
e. info@nvelope.us
w. <http://www.nvelope.us>

System:
SYSTEM: NV3-GFRC
CLADDING: GFRC or UHPC (CONCEALED FIXING)

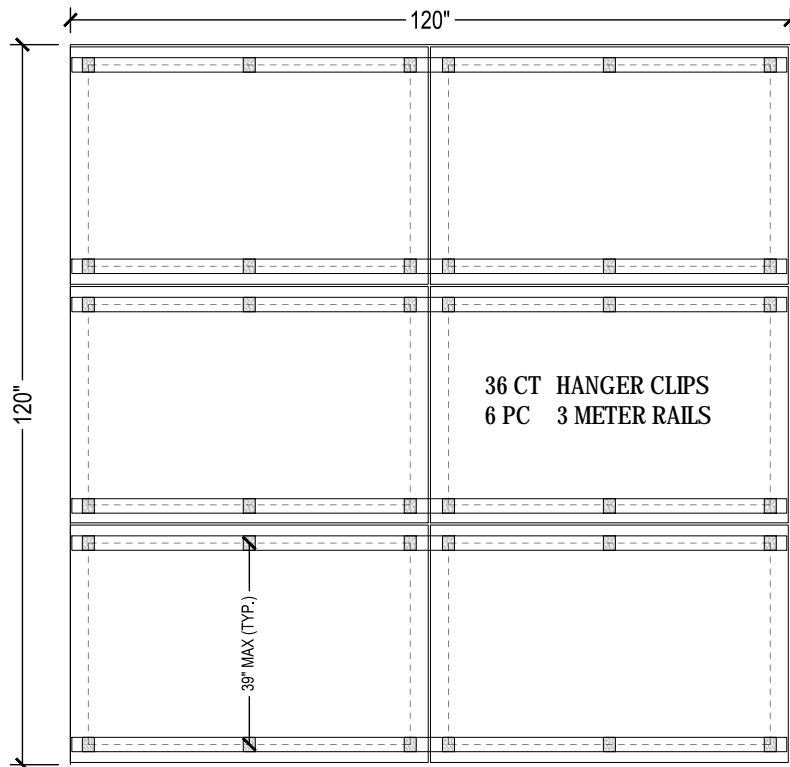
Sheet Title: NVELOPE FASTENER DETAILS	
Issue Date: 07/01/17	System ID: NV3-GFRC
Scale: 6" = 1'-0"	Sheet: S-03

NVELOPE
MAKING CLADDING HAPPEN
<http://www.nvelope.us> info@nvelope.us

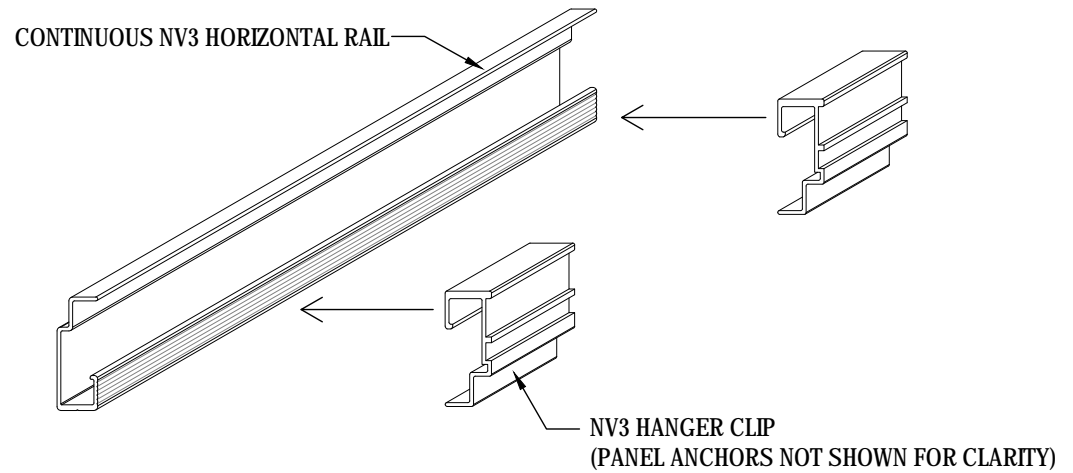
STANDARD NV-3 SYSTEM COMPONENTS



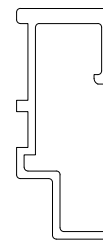
BELOW QUANTITIES ARE INTENDED AS A QUICK REFERENCE BASED ON A SIMPLE LAYOUT USING PANEL DIMENSIONS TO MAXIMIZE MATERIAL YIELD. ACTUAL QUANTITIES WILL VARY BY PROJECT DEPENDING ON PANEL SIZE AND PLACEMENT.



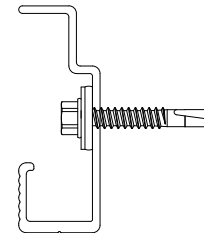
APPROXIMATE COVERAGE PER 100 SQFT



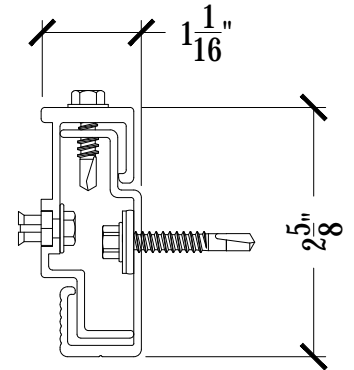
ISOMETRIC - NV3 RAIL WITH HANGER CLIPS



NV3 HANGER CLIP



NV3 HORIZONTAL RAIL



ENGAGED NV3 ASSEMBLY

GUIDE DETAILS BY NVELOPE ARE PROVIDED FOR GENERAL REFERENCE ONLY AND REPRESENT TYPICAL CONDITIONS FOR CLADDING ATTACHMENT SYSTEMS. PROJECT SPECIFIC ENGINEERING IS REQUIRED TO ADDRESS WIND LOAD, CLADDING WEIGHT, TYPE, PROJECTION, SPACING, ETC. CONTACT ENVELOPE FOR ADDITIONAL INFORMATION. ANY AND ALL IMPLIED WARRANTIES INCLUDING APPROPRIATENESS FOR A SPECIFIC PURPOSE ARE EXPLICITLY EXCLUDED.

SFS Group USA, Inc.
Construction Division
1045 Spring Street
Wyomissing, PA 19610
T: +1 (610) 790-2645

e. info@nvelope.us
w. <http://www.nvelope.us>



Sheet Title: NV3 SYSTEM COMPONENTS	
Issue Date: 07/01/17	System ID: NV3-GFRC
Scale: 6" = 1'-0"	Sheet: S-04

NVELOPE
MAKING CLADDING HAPPEN

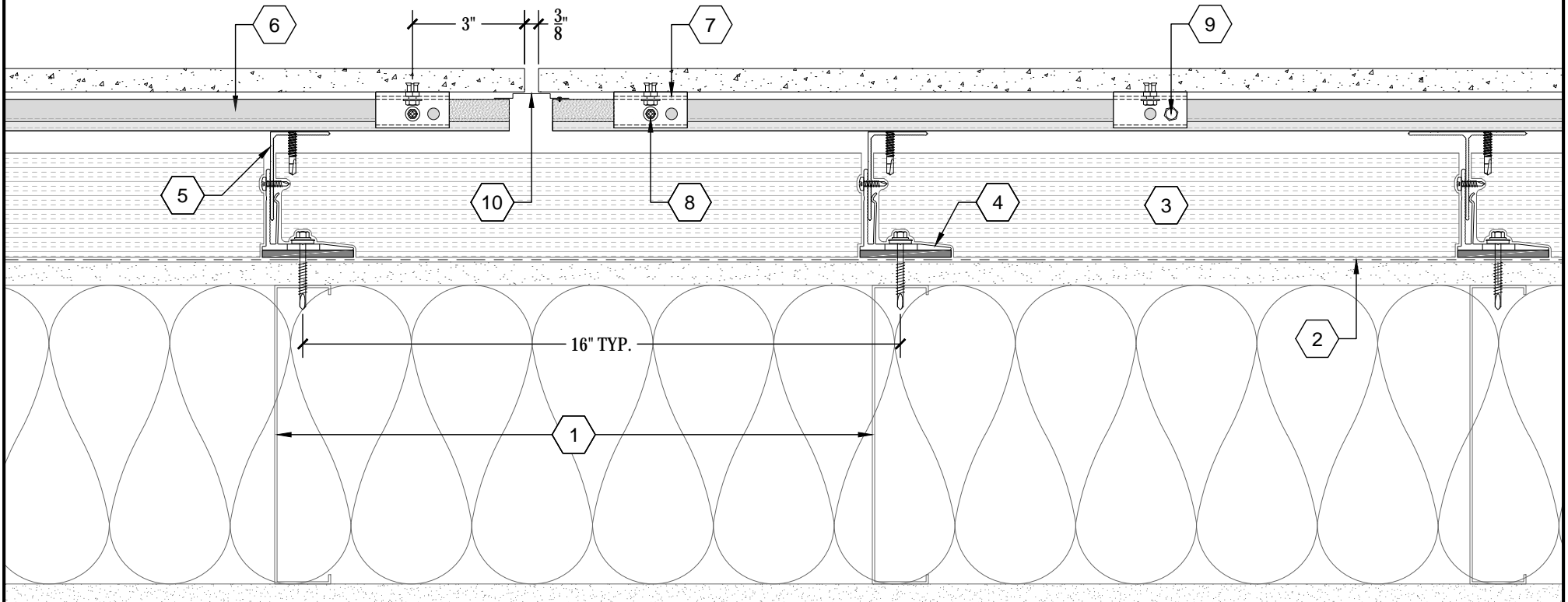
<http://www.nvelope.us> info@nvelope.us

System:

SYSTEM:	NV3-GFRC
CLADDING:	GFRC or UHPC (CONCEALED FIXING)

DRAWING KEYNOTES

1. STUD FRAMED WALL ASSEMBLY PER ARCH.
2. WEATHER AND AIR BARRIER PER ARCH.
3. MINERAL WOOL INSULATION, THICKNESS PER ARCH.
4. NVELOPE CLIP WITH THERMAL SPACER, SIZE AS REQUIRED
5. VERTICAL ALUMINUM "L" OR "T" PROFILE BY NVELOPE
6. HORIZONTAL "NV3 HANGING RAIL" BY NVELOPE
7. "NV3 HANGER CLIP" WITH KEIL ANCHOR FIXED TO GFRC/UHPC PANEL
8. 5.5 MM X 50 MM SECURING SCREW BY NVELOPE
9. ADJUSTING SCREW FOR PANEL LEVELING BY NVELOPE
10. OPTIONAL SHEET METAL CLOSURE TRIM AT OPEN JOINT BY INSTALLER



NOTE: MINIMUM STUD THICKNESS AS REQUIRED PER PROJECT SPECIFIC ENGINEERING

GUIDE DETAILS BY NVELOPE ARE PROVIDED FOR GENERAL REFERENCE ONLY AND REPRESENT TYPICAL CONDITIONS FOR CLADDING ATTACHMENT SYSTEMS. PROJECT SPECIFIC ENGINEERING IS REQUIRED TO ADDRESS WIND LOAD, CLADDING WEIGHT, TYPE, PROJECTION, SPACING, ETC. CONTACT NVELOPE FOR ADDITIONAL INFORMATION. ANY AND ALL IMPLIED WARRANTIES INCLUDING APPROPRIATENESS FOR A SPECIFIC PURPOSE ARE EXPLICITLY EXCLUDED.

SFS Group USA, Inc.
Construction Division
1045 Spring Street
Wyomissing, PA 19610
T: +1 (610) 790-2645

SFS intec

e. info@nvelope.us
w. <http://www.nvelope.us>

System:

SYSTEM: NV3-GFRC
CLADDING: GFRC or UHPC (CONCEALED FIXING)

Sheet Title: Plan Detail - Steel Stud Framed Wall

Issue Date: 07/01/17

Scale: 6" = 1'-0"

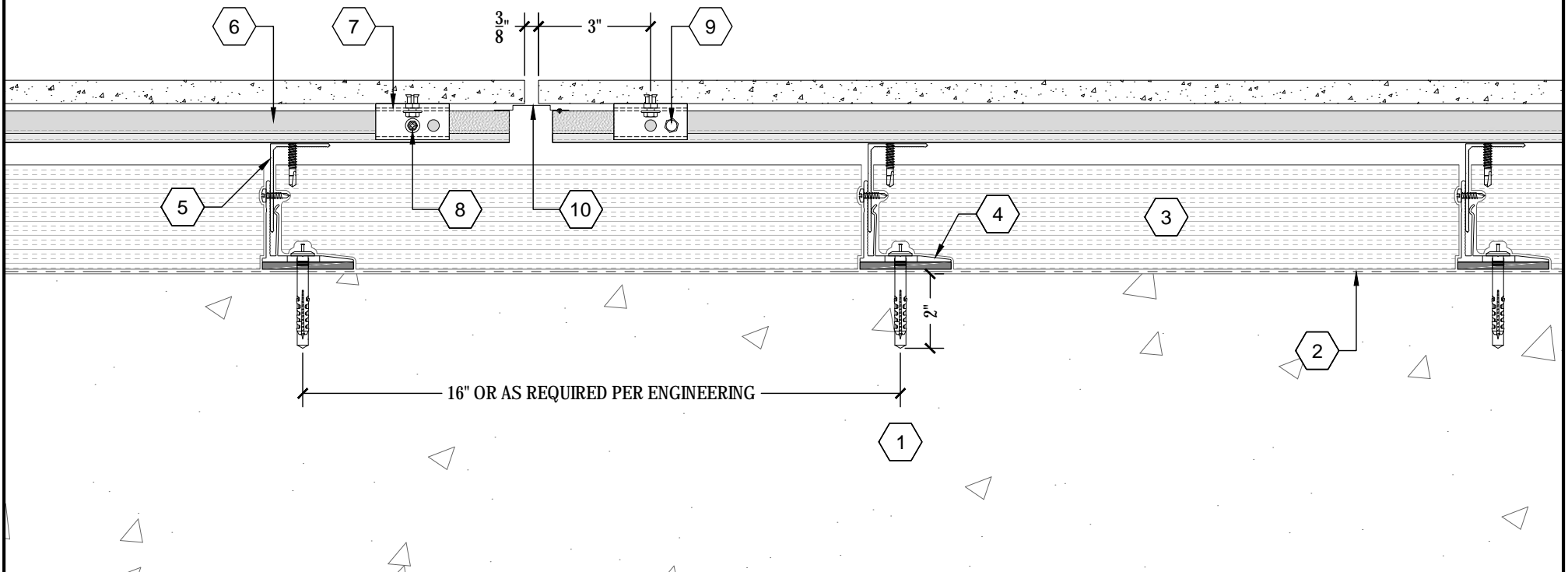
System ID: NV3-GFRC

Sheet: D-01a

NVELOPE
MAKING CLADDING HAPPEN
<http://www.nvelope.us> info@nvelope.us

DRAWING KEYNOTES

1. CONCRETE WALL ASSEMBLY PER PLAN
2. WEATHER AND AIR BARRIER PER ARCH.
3. MINERAL WOOL INSULATION, THICKNESS PER ARCH.
4. NVELOPE CLIP WITH THERMAL SPACER, SIZE AS REQUIRED
5. VERTICAL ALUMINUM "L" OR "T" PROFILE BY NVELOPE
6. HORIZONTAL "NV3 HANGING RAIL" BY NVELOPE
7. "NV3 HANGER CLIP" WITH KEIL ANCHOR FIXED TO GFRC/UHPC PANEL
8. 5.5 MM X 50 MM SECURING SCREW BY NVELOPE
9. ADJUSTING SCREW FOR PANEL LEVELING BY NVELOPE
10. OPTIONAL SHEET METAL CLOSURE TRIM AT OPEN JOINT BY INSTALLER



NOTES:

- PROJECT SPECIFIC ENGINEERING REQUIRED TO DETERMINE APPROPRIATE ANCHORAGE OVER CONCRETE/MASONRY SUBSTRATE.
- FOR COORDINATION PURPOSES, ASSUME MINIMUM 2" EMBEDMENT FOR ALL ANCHORS INTO STRUCTURAL CONCRETE/MASONRY.

GUIDE DETAILS BY NVELOPE ARE PROVIDED FOR GENERAL REFERENCE ONLY AND REPRESENT TYPICAL CONDITIONS FOR CLADDING ATTACHMENT SYSTEMS. PROJECT SPECIFIC ENGINEERING IS REQUIRED TO ADDRESS WIND LOAD, CLADDING WEIGHT, TYPE, PROJECTION, SPACING, ETC. CONTACT ENVELOPE FOR ADDITIONAL INFORMATION. ANY AND ALL IMPLIED WARRANTIES INCLUDING APPROPRIATENESS FOR A SPECIFIC PURPOSE ARE EXPLICITLY EXCLUDED.

SFS Group USA, Inc.
Construction Division
1045 Spring Street
Wyomissing, PA 19610
T: +1 (610) 790-2645

SFS intec

e. info@nvelope.us
w. <http://www.nvelope.us>

System:

SYSTEM: NV3-GFRC
CLADDING: GFRC or UHPC (CONCEALED FIXING)

Sheet Title:

Plan Detail - Concrete Wall

Issue Date:

07/01/17

System ID:

NV3-GFRC

Scale:

6" = 1'-0"

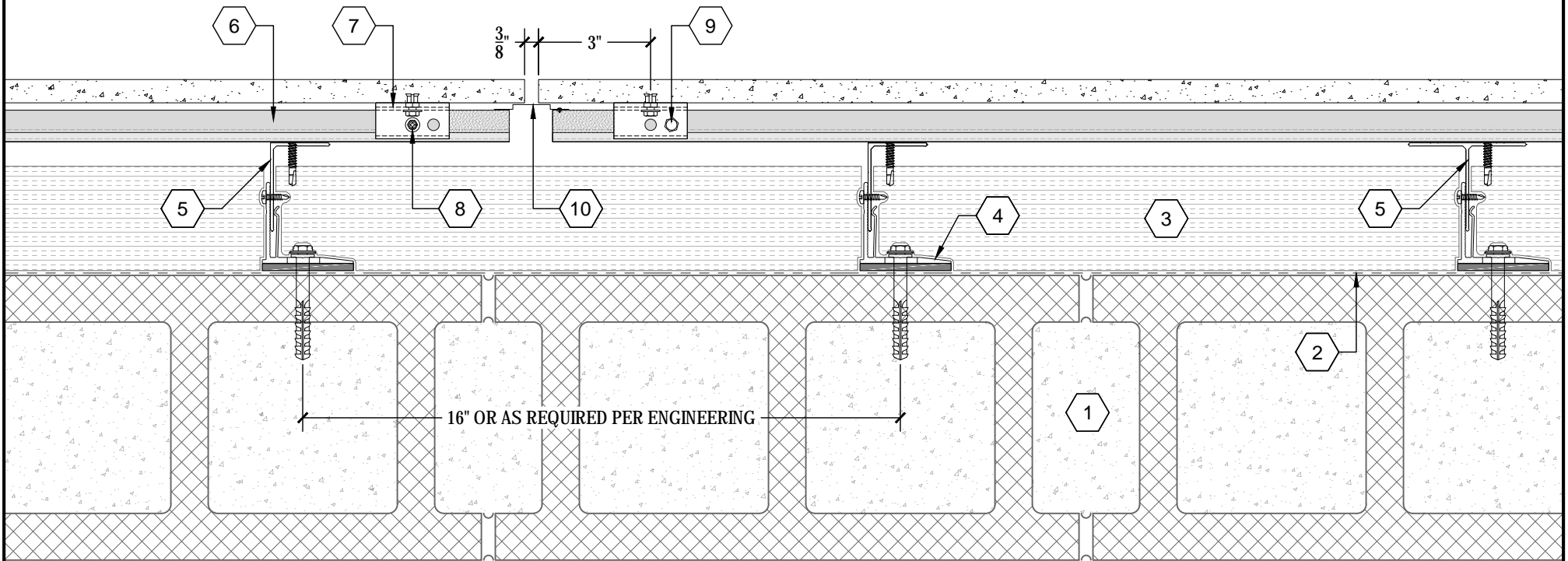
Sheet:

D-01b

NVELOPE
MAKING CLADDING HAPPEN
<http://www.nvelope.us> info@nvelope.us

DRAWING KEYNOTES

1. STRUCTURAL CMU/MASONRY WALL PER PLAN
2. WEATHER AND AIR BARRIER PER ARCH.
3. MINERAL WOOL INSULATION, THICKNESS PER ARCH.
4. NVELOPE CLIP WITH THERMAL SPACER, SIZE AS REQUIRED
5. VERTICAL ALUMINUM "L" OR "T" PROFILE BY NVELOPE
6. HORIZONTAL "NV3 HANGING RAIL" BY NVELOPE
7. "NV3 HANGER CLIP" WITH KEIL ANCHOR FIXED TO GFRC/UHPC PANEL
8. 5.5 MM X 50 MM SECURING SCREW BY NVELOPE
9. ADJUSTING SCREW FOR PANEL LEVELING BY NVELOPE
10. OPTIONAL SHEET METAL CLOSURE TRIM AT OPEN JOINT BY INSTALLER



NOTES:

- PROJECT SPECIFIC ENGINEERING REQUIRED TO DETERMINE APPROPRIATE ANCHORAGE OVER CONCRETE/MASONRY SUBSTRATE.
- FOR COORDINATION PURPOSES, ASSUME MINIMUM 2" EMBEDMENT FOR ALL ANCHORS INTO STRUCTURAL CONCRETE/MASONRY.

GUIDE DETAILS BY NVELOPE ARE PROVIDED FOR GENERAL REFERENCE ONLY AND REPRESENT TYPICAL CONDITIONS FOR CLADDING ATTACHMENT SYSTEMS. PROJECT SPECIFIC ENGINEERING IS REQUIRED TO ADDRESS WIND LOAD, CLADDING WEIGHT, TYPE, PROJECTION, SPACING, ETC. CONTACT ENVELOPE FOR ADDITIONAL INFORMATION. ANY AND ALL IMPLIED WARRANTIES INCLUDING APPROPRIATENESS FOR A SPECIFIC PURPOSE ARE EXPLICITLY EXCLUDED.

SFS Group USA, Inc.
Construction Division
1045 Spring Street
Wyomissing, PA 19610
T: +1 (610) 790-2645

SFS intec

e. info@nvelope.us
w. <http://www.nvelope.us>

System:

SYSTEM: NV3-GFRC
CLADDING: GFRC or UHPC (CONCEALED FIXING)

Sheet Title: Plan Detail - CMU/Masonry Wall

Issue Date: 07/01/17

Scale: 6" = 1'-0"

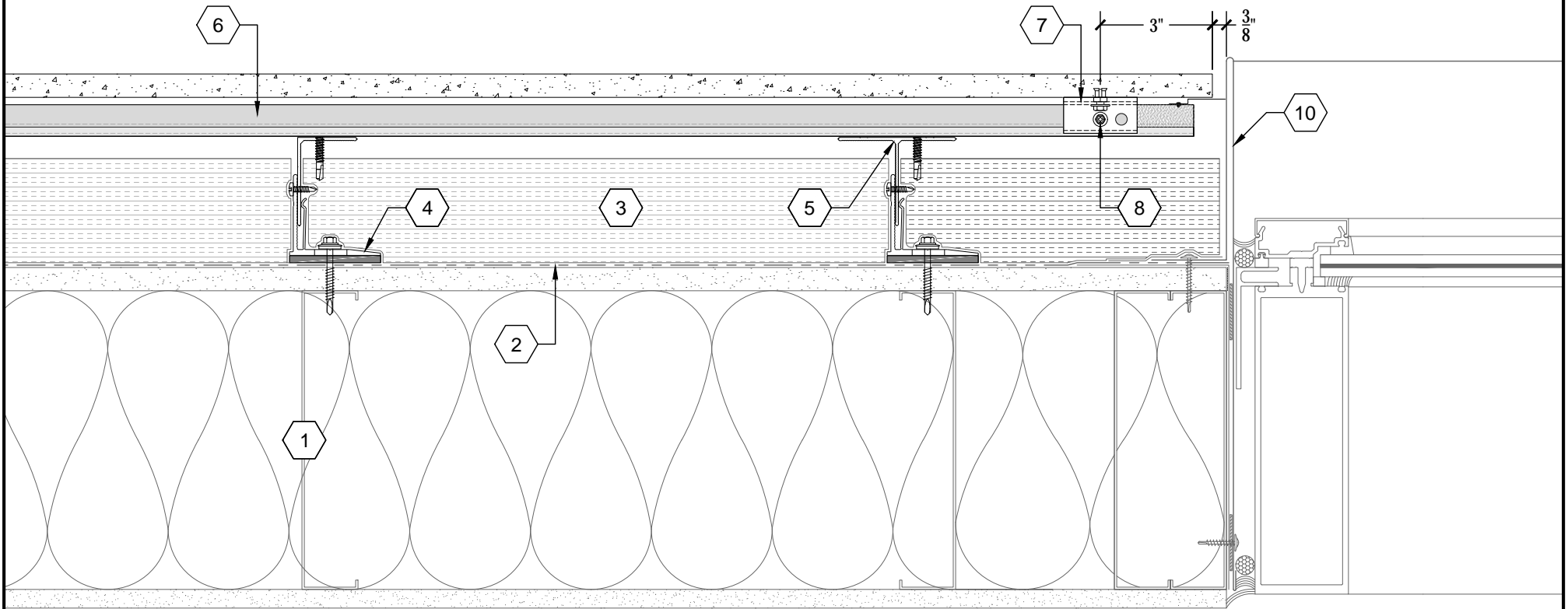
System ID: NV3-GFRC

Sheet: D-01c

NVELOPE
MAKING CLADDING HAPPEN
<http://www.nvelope.us> info@nvelope.us

DRAWING KEYNOTES

1. STUD FRAMED WALL ASSEMBLY PER ARCH.
2. WEATHER AND AIR BARRIER PER ARCH.
3. MINERAL WOOL INSULATION, THICKNESS PER ARCH.
4. NVELOPE CLIP WITH THERMAL SPACER, SIZE AS REQUIRED
5. VERTICAL ALUMINUM "L" OR "T" PROFILE BY NVELOPE
6. HORIZONTAL "NV3 HANGING RAIL" BY NVELOPE
7. "NV3 HANGER CLIP" WITH KEIL ANCHOR FIXED TO GFRC/UHPC PANEL
8. 5.5 MM X 50 MM SECURING SCREW BY NVELOPE
9. ADJUSTING SCREW FOR PANEL LEVELING BY NVELOPE
10. SHEET METAL FLASHING BY OTHERS



GUIDE DETAILS BY NVELOPE ARE PROVIDED FOR GENERAL REFERENCE ONLY AND REPRESENT TYPICAL CONDITIONS FOR CLADDING ATTACHMENT SYSTEMS. PROJECT SPECIFIC ENGINEERING IS REQUIRED TO ADDRESS WIND LOAD, CLADDING WEIGHT, TYPE, PROJECTION, SPACING, ETC. CONTACT ENVELOPE FOR ADDITIONAL INFORMATION. ANY AND ALL IMPLIED WARRANTIES INCLUDING APPROPRIATENESS FOR A SPECIFIC PURPOSE ARE EXPLICITLY EXCLUDED.

SFS Group USA, Inc.
Construction Division
1045 Spring Street
Wyomissing, PA 19610
T: +1 (610) 790-2645

SFS intec

e. info@nvelope.us
w. <http://www.nvelope.us>

System:

SYSTEM: NV3-GFRC
CLADDING: GFRC or UHPC (CONCEALED FIXING)

Sheet Title: Storefront Jamb Detail

Issue Date: 07/01/17

Scale: 6" = 1'-0"

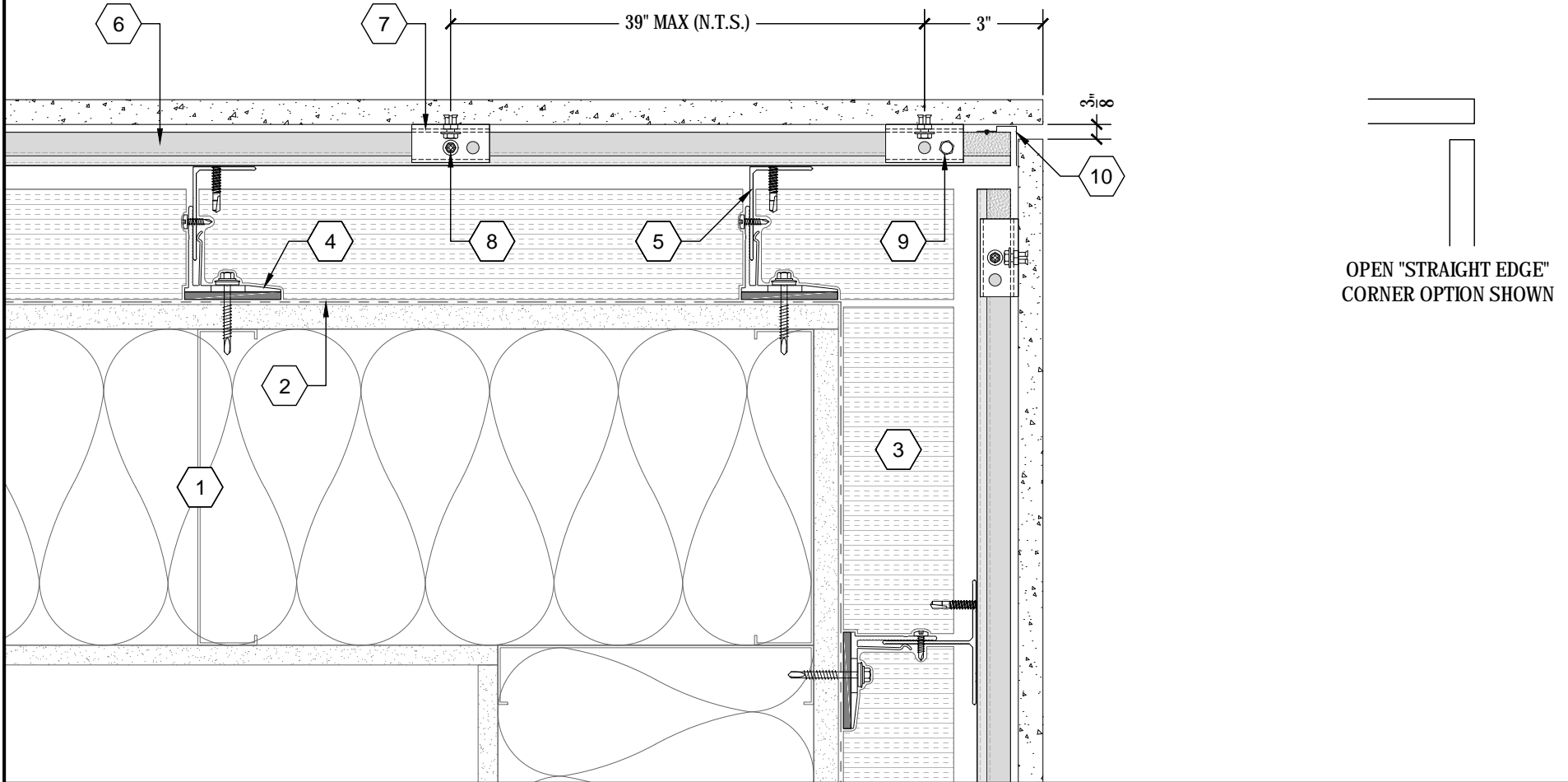
System ID: NV3-GFRC

Sheet: D-02

NVELOPE
MAKING CLADDING HAPPEN
<http://www.nvelope.us> info@nvelope.us

DRAWING KEYNOTES

1. STUD FRAMED WALL ASSEMBLY PER ARCH.
2. WEATHER AND AIR BARRIER PER ARCH.
3. MINERAL WOOL INSULATION, THICKNESS PER ARCH.
4. NVELOPE CLIP WITH THERMAL SPACER, SIZE AS REQUIRED
5. VERTICAL ALUMINUM "L" OR "T" PROFILE BY NVELOPE
6. HORIZONTAL "NV3 HANGING RAIL" BY NVELOPE
7. "NV3 HANGER CLIP" WITH KEIL ANCHOR FIXED TO GFRC/UHPC PANEL
8. 5.5 MM X 50 MM SECURING SCREW BY NVELOPE
9. ADJUSTING SCREW FOR PANEL LEVELING BY NVELOPE
10. OPTIONAL CLOSURE TRIM AT OPEN JOINT BY INSTALLER



OPEN "STRAIGHT EDGE"
CORNER OPTION SHOWN

GUIDE DETAILS BY NVELOPE ARE PROVIDED FOR GENERAL REFERENCE ONLY AND REPRESENT TYPICAL CONDITIONS FOR CLADDING ATTACHMENT SYSTEMS. PROJECT SPECIFIC ENGINEERING IS REQUIRED TO ADDRESS WIND LOAD, CLADDING WEIGHT, TYPE, PROJECTION, SPACING, ETC. CONTACT ENVELOPE FOR ADDITIONAL INFORMATION. ANY AND ALL IMPLIED WARRANTIES INCLUDING APPROPRIATENESS FOR A SPECIFIC PURPOSE ARE EXPLICITLY EXCLUDED.

SFS Group USA, Inc.
Construction Division
1045 Spring Street
Wyomissing, PA 19610
T: +1 (610) 790-2645

SFS intec

e. info@nvelope.us
w. <http://www.nvelope.us>

System:

SYSTEM: NV3-GFRC
CLADDING: GFRC or UHPC (CONCEALED FIXING)

Sheet Title: Outside Corner Detail

Issue Date: 07/01/17

Scale: 6" = 1'-0"

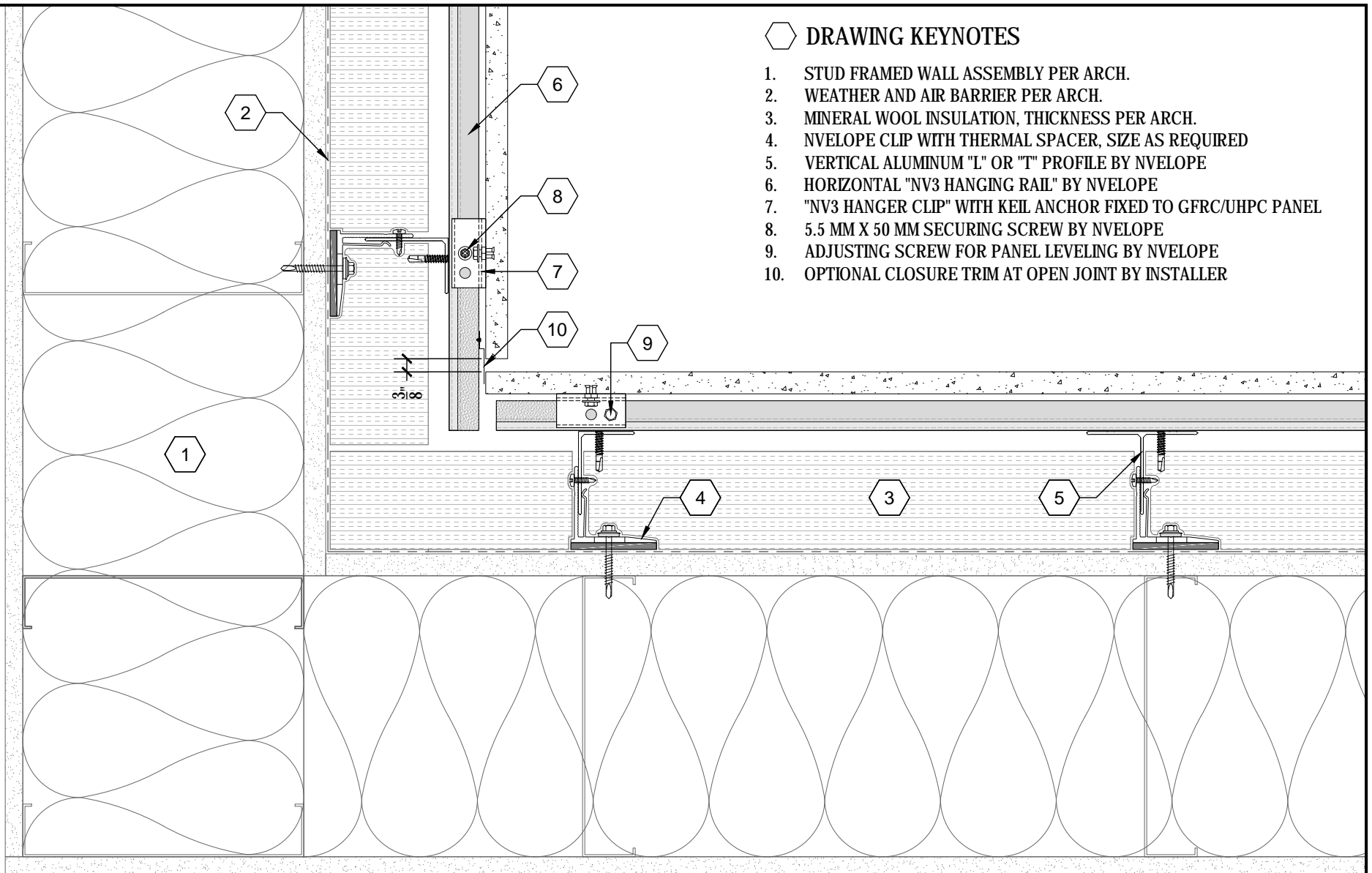
System ID: NV3-GFRC

Sheet: D-03

NVELOPE
MAKING CLADDING HAPPEN
<http://www.nvelope.us> info@nvelope.us

DRAWING KEYNOTES

1. STUD FRAMED WALL ASSEMBLY PER ARCH.
2. WEATHER AND AIR BARRIER PER ARCH.
3. MINERAL WOOL INSULATION, THICKNESS PER ARCH.
4. NVELOPE CLIP WITH THERMAL SPACER, SIZE AS REQUIRED
5. VERTICAL ALUMINUM "L" OR "T" PROFILE BY NVELOPE
6. HORIZONTAL "NV3 HANGING RAIL" BY NVELOPE
7. "NV3 HANGER CLIP" WITH KEIL ANCHOR FIXED TO GFRC/UHPC PANEL
8. 5.5 MM X 50 MM SECURING SCREW BY NVELOPE
9. ADJUSTING SCREW FOR PANEL LEVELING BY NVELOPE
10. OPTIONAL CLOSURE TRIM AT OPEN JOINT BY INSTALLER



GUIDE DETAILS BY NVELOPE ARE PROVIDED FOR GENERAL REFERENCE ONLY AND REPRESENT TYPICAL CONDITIONS FOR CLADDING ATTACHMENT SYSTEMS. PROJECT SPECIFIC ENGINEERING IS REQUIRED TO ADDRESS WIND LOAD, CLADDING WEIGHT, TYPE, PROJECTION, SPACING, ETC. CONTACT ENVELOPE FOR ADDITIONAL INFORMATION. ANY AND ALL IMPLIED WARRANTIES INCLUDING APPROPRIATENESS FOR A SPECIFIC PURPOSE ARE EXPLICITLY EXCLUDED.

SFS Group USA, Inc.
Construction Division
1045 Spring Street
Wyomissing, PA 19610
T: +1 (610) 790-2645

SFS intec

e. info@nvelope.us
w. <http://www.nvelope.us>

System:

SYSTEM: NV3-GFRC
CLADDING: GFRC or UHPC (CONCEALED FIXING)

Sheet Title: Inside Corner Detail

Issue Date: 07/01/17

Scale: 6" = 1'-0"

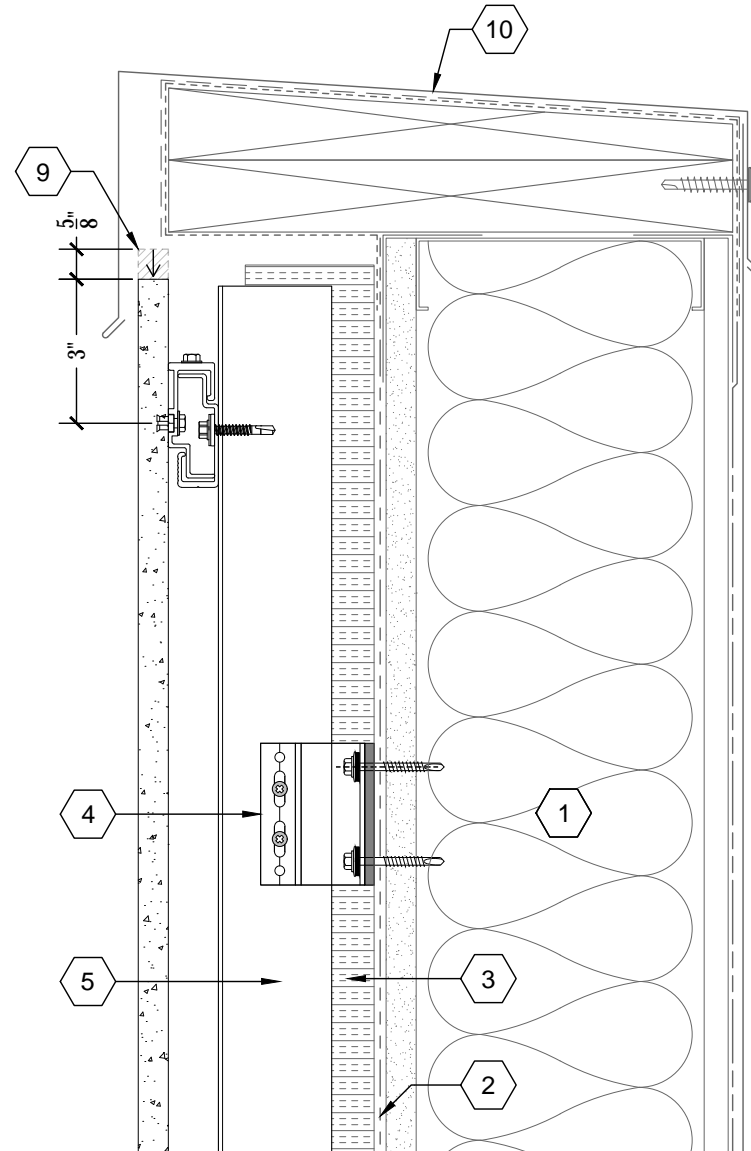
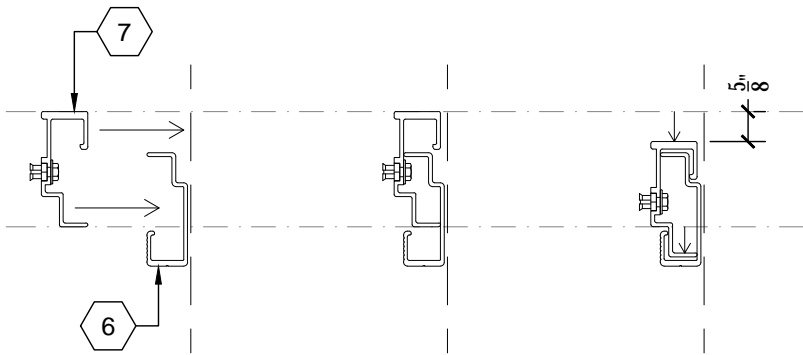
System ID: NV3-GFRC

Sheet: D-04

NVELOPE
MAKING CLADDING HAPPEN
<http://www.nvelope.us> info@nvelope.us

DRAWING KEYNOTES

1. STUD FRAMED WALL ASSEMBLY PER ARCH.
2. WEATHER AND AIR BARRIER PER ARCH.
3. MINERAL WOOL INSULATION, THICKNESS PER ARCH.
4. NVELOPE CLIP WITH THERMAL SPACER, SIZE AS REQUIRED
5. VERTICAL ALUMINUM "L" OR "T" PROFILE BY NVELOPE
6. HORIZONTAL "NV3 HANGING RAIL" BY NVELOPE
7. "NV3 HANGER CLIP" WITH KEIL ANCHOR FIXED TO GFRC/UHPC PANEL
8. SECURING OR ADJUSTING SCREW BY NVELOPE
9. VERTICAL CLEARANCE REQUIRED FOR INSTALLATION
10. SHEET METAL PARAPET COPING BY OTHERS



GUIDE DETAILS BY NVELOPE ARE PROVIDED FOR GENERAL REFERENCE ONLY AND REPRESENT TYPICAL CONDITIONS FOR CLADDING ATTACHMENT SYSTEMS. PROJECT SPECIFIC ENGINEERING IS REQUIRED TO ADDRESS WIND LOAD, CLADDING WEIGHT, TYPE, PROJECTION, SPACING, ETC. CONTACT ENVELOPE FOR ADDITIONAL INFORMATION. ANY AND ALL IMPLIED WARRANTIES INCLUDING APPROPRIATENESS FOR A SPECIFIC PURPOSE ARE EXPLICITLY EXCLUDED.

SFS Group USA, Inc.
Construction Division
1045 Spring Street
Wyomissing, PA 19610
T: +1 (610) 790-2645

SFS intec

e. info@nvelope.us
w. <http://www.nvelope.us>

System:

SYSTEM: NV3-GFRC
CLADDING: GFRC or UHPC (Concealed Fixing)

Sheet Title:
Typical Parapet Detail

Issue Date:
07/01/17

Scale:
6" = 1'-0"

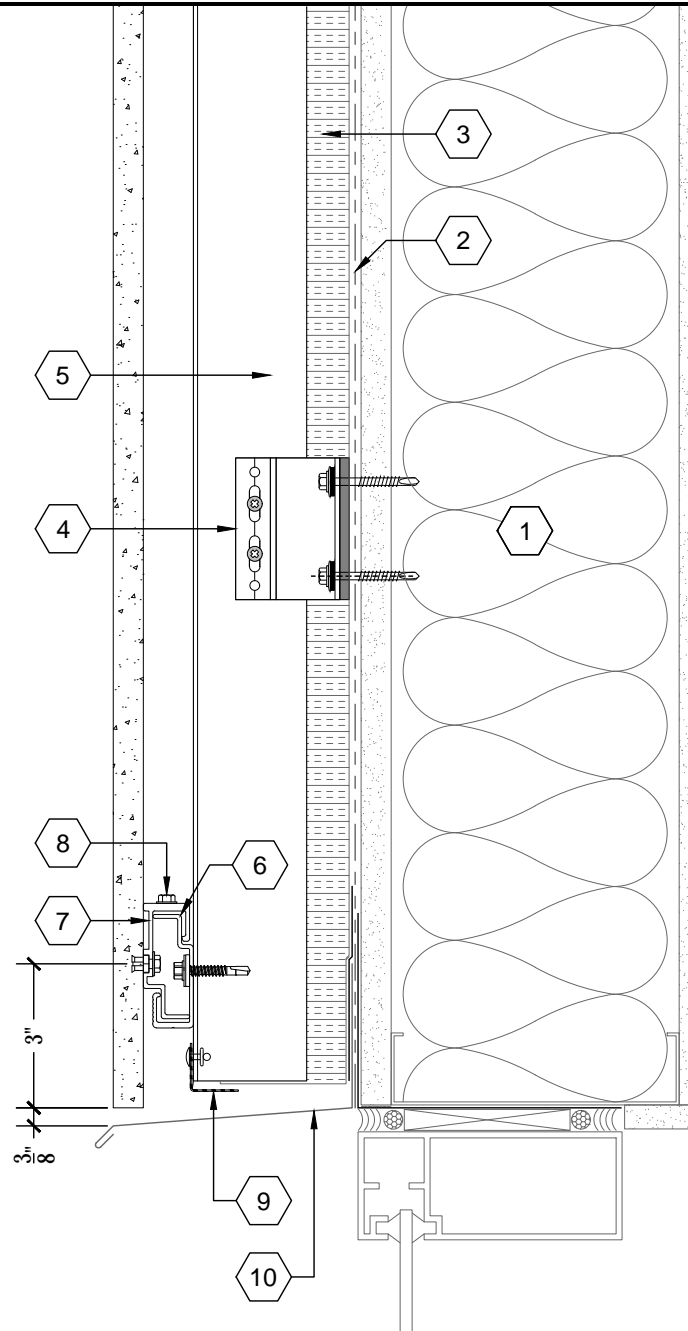
System ID:
NV3-GFRC

Sheet:
D-05

NVELOPE
MAKING CLADDING HAPPEN
<http://www.nvelope.us> info@nvelope.us

DRAWING KEYNOTES

1. STUD FRAMED WALL ASSEMBLY PER ARCH.
2. WEATHER AND AIR BARRIER PER ARCH.
3. MINERAL WOOL INSULATION, THICKNESS PER ARCH.
4. NVELOPE CLIP WITH THERMAL SPACER, SIZE AS REQUIRED
5. VERTICAL ALUMINUM "L" OR "T" PROFILE BY NVELOPE
6. HORIZONTAL "NV3 HANGING RAIL" BY NVELOPE
7. "NV3 CLIP" WITH KEIL ANCHOR FIXED TO GFRC/UHPC PANEL
8. SECURING OR ADJUSTING SCREW BY NVELOPE
9. PERFORATED VENT CLOSURE BY INSTALLER
10. SHEET METAL FLASHING BY OTHERS



GUIDE DETAILS BY NVELOPE ARE PROVIDED FOR GENERAL REFERENCE ONLY AND REPRESENT TYPICAL CONDITIONS FOR CLADDING ATTACHMENT SYSTEMS. PROJECT SPECIFIC ENGINEERING IS REQUIRED TO ADDRESS WIND LOAD, CLADDING WEIGHT, TYPE, PROJECTION, SPACING, ETC. CONTACT ENVELOPE FOR ADDITIONAL INFORMATION. ANY AND ALL IMPLIED WARRANTIES INCLUDING APPROPRIATENESS FOR A SPECIFIC PURPOSE ARE EXPLICITLY EXCLUDED.

SFS Group USA, Inc.
Construction Division
1045 Spring Street
Wyomissing, PA 19610
T: +1 (610) 790-2645

SFS intec

e. info@nvelope.us
w. <http://www.nvelope.us>

System:

SYSTEM: NV3-GFRC
CLADDING: GFRC or UHPC (CONCEALED FIXING)

Sheet Title: **Storefront Head Detail**

Issue Date: **07/01/17**

Scale: **6" = 1'-0"**

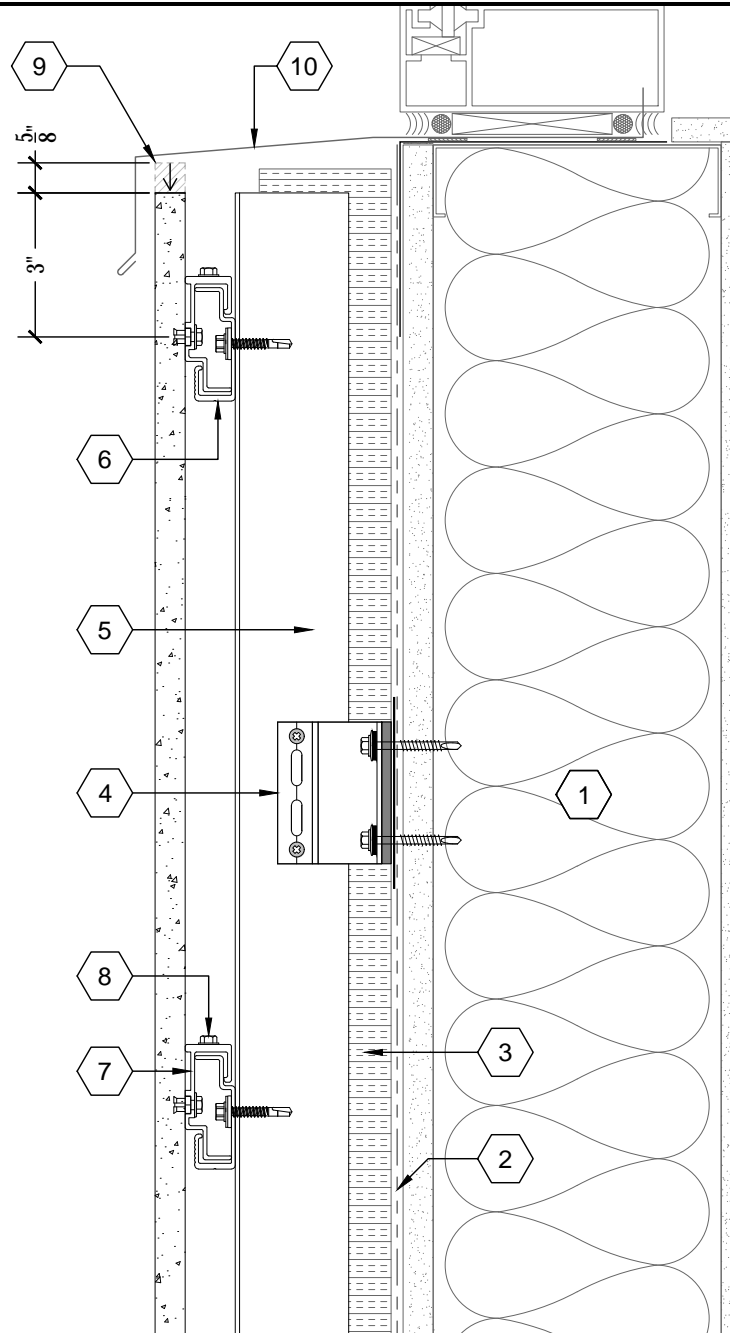
System ID: **NV3-GFRC**

Sheet: **D-06**

NVELOPE
MAKING CLADDING HAPPEN
<http://www.nvelope.us> info@nvelope.us

DRAWING KEYNOTES

1. STUD FRAMED WALL ASSEMBLY PER ARCH.
2. WEATHER AND AIR BARRIER PER ARCH.
3. MINERAL WOOL INSULATION, THICKNESS PER ARCH.
4. NVELOPE CLIP WITH THERMAL SPACER, SIZE AS REQUIRED
5. VERTICAL ALUMINUM "L" OR "T" PROFILE BY NVELOPE
6. HORIZONTAL "NV3 HANGING RAIL" BY NVELOPE
7. "NV3 HANGER CLIP" WITH KEIL ANCHOR FIXED TO GFRC/UHPC PANEL
8. SECURING OR ADJUSTING SCREW BY NVELOPE
9. VERTICAL CLEARANCE REQUIRED FOR INSTALLATION
10. SHEET METAL FLASHING BY OTHERS



GUIDE DETAILS BY NVELOPE ARE PROVIDED FOR GENERAL REFERENCE ONLY AND REPRESENT TYPICAL CONDITIONS FOR CLADDING ATTACHMENT SYSTEMS. PROJECT SPECIFIC ENGINEERING IS REQUIRED TO ADDRESS WIND LOAD, CLADDING WEIGHT, TYPE, PROJECTION, SPACING, ETC. CONTACT ENVELOPE FOR ADDITIONAL INFORMATION. ANY AND ALL IMPLIED WARRANTIES INCLUDING APPROPRIATENESS FOR A SPECIFIC PURPOSE ARE EXPLICITLY EXCLUDED.

SFS Group USA, Inc.
Construction Division
1045 Spring Street
Wyomissing, PA 19610
T: +1 (610) 790-2645

SFS intec

e. info@nvelope.us
w. <http://www.nvelope.us>

System:

SYSTEM: NV3-GFRC
CLADDING: GFRC or UHPC (CONCEALED FIXING)

Sheet Title: **Storefront Sill Detail**

Issue Date: **07/01/17**

Scale: **6" = 1'-0"**

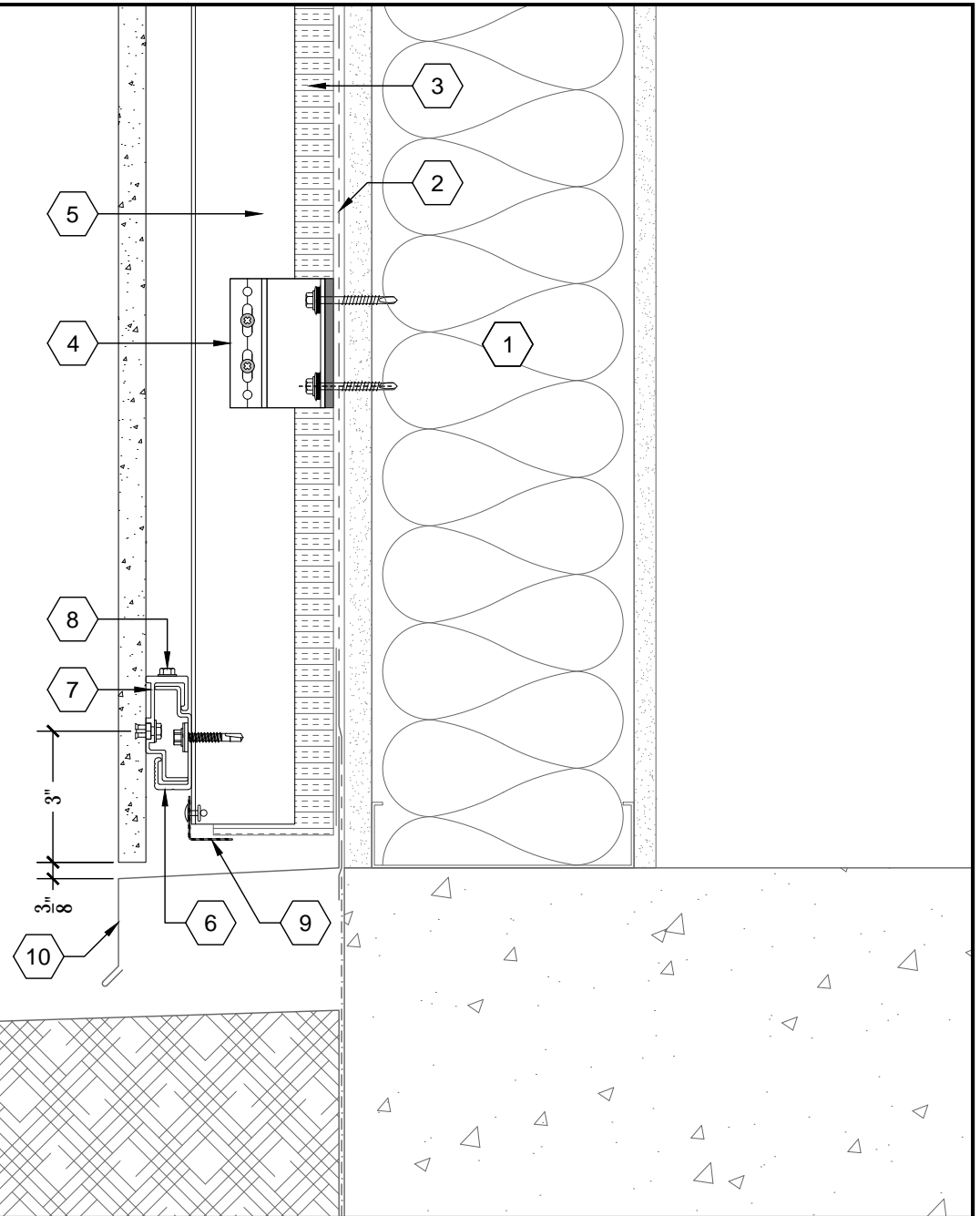
System ID: **NV3-GFRC**

Sheet: **D-07**

NVELOPE
MAKING CLADDING HAPPEN
<http://www.nvelope.us> info@nvelope.us

DRAWING KEYNOTES

1. STUD FRAMED WALL ASSEMBLY PER ARCH.
2. WEATHER AND AIR BARRIER PER ARCH.
3. MINERAL WOOL INSULATION, THICKNESS PER ARCH.
4. NVELOPE CLIP WITH THERMAL SPACER, SIZE AS REQUIRED
5. VERTICAL ALUMINUM "L" OR "T" PROFILE BY NVELOPE
6. HORIZONTAL "NV3 HANGING RAIL" BY NVELOPE
7. "NV3 CLIP" WITH KEIL ANCHOR FIXED TO GFRC/UHPC PANEL
8. SECURING OR ADJUSTING SCREW BY NVELOPE
9. PERFORATED VENT CLOSURE BY INSTALLER
10. SHEET METAL FLASHING BY OTHERS



GUIDE DETAILS BY NVELOPE ARE PROVIDED FOR GENERAL REFERENCE ONLY AND REPRESENT TYPICAL CONDITIONS FOR CLADDING ATTACHMENT SYSTEMS. PROJECT SPECIFIC ENGINEERING IS REQUIRED TO ADDRESS WIND LOAD, CLADDING WEIGHT, TYPE, PROJECTION, SPACING, ETC. CONTACT ENVELOPE FOR ADDITIONAL INFORMATION. ANY AND ALL IMPLIED WARRANTIES INCLUDING APPROPRIATENESS FOR A SPECIFIC PURPOSE ARE EXPLICITLY EXCLUDED.

SFS Group USA, Inc.
Construction Division
1045 Spring Street
Wyomissing, PA 19610
T: +1 (610) 790-2645

SFS intec

e. info@nvelope.us
w. <http://www.nvelope.us>

System:

SYSTEM: NV3-GFRC
CLADDING: GFRC or UHPC (CONCEALED FIXING)

Sheet Title:
Base Detail

Issue Date:
07/01/17

Scale:
6" = 1'-0"

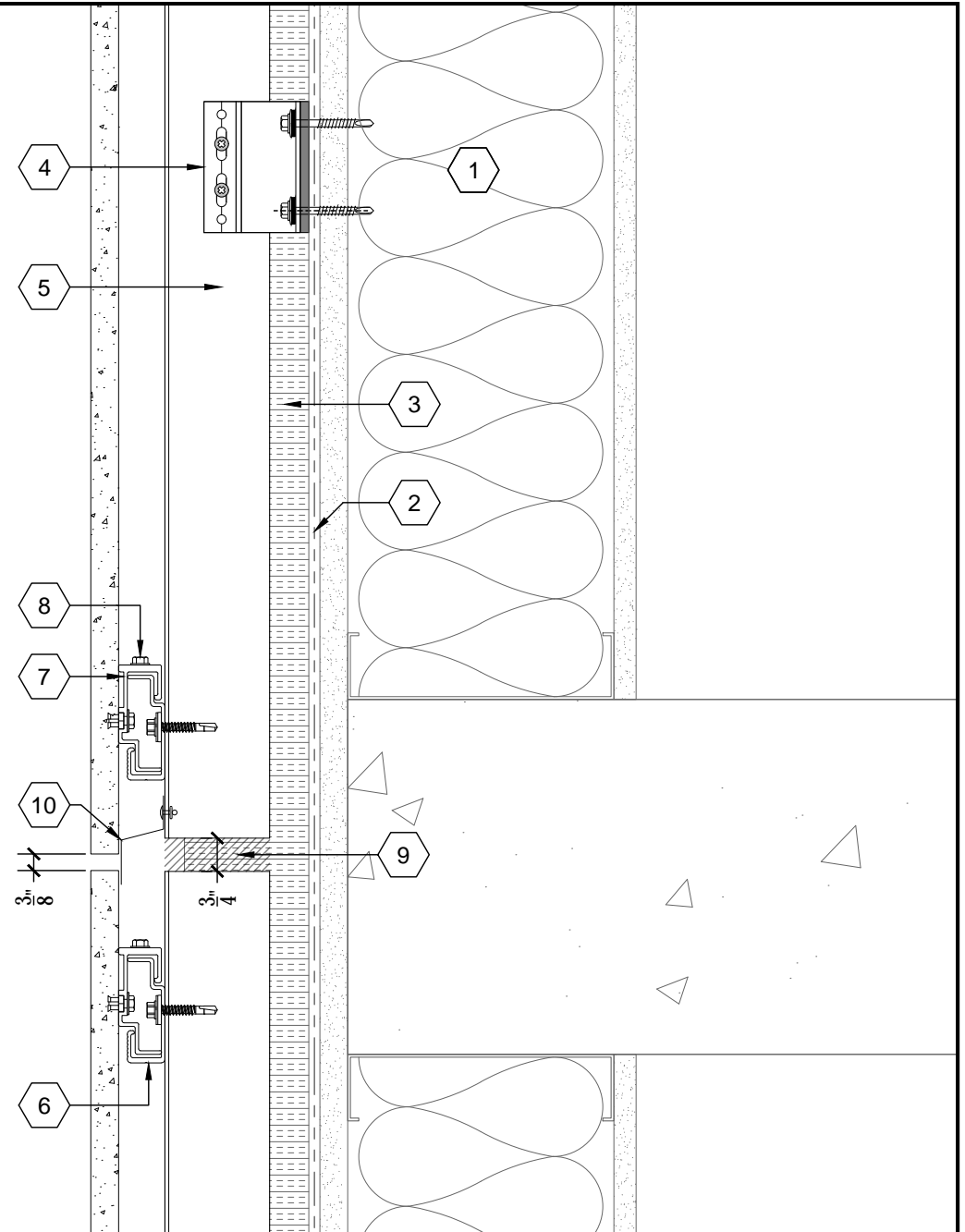
System ID:
NV3-GFRC

Sheet:
D-08

NVELOPE
MAKING CLADDING HAPPEN
<http://www.nvelope.us> info@nvelope.us

DRAWING KEYNOTES

1. STUD FRAMED WALL ASSEMBLY PER ARCH.
2. WEATHER AND AIR BARRIER PER ARCH.
3. MINERAL WOOL INSULATION, THICKNESS PER ARCH.
4. NVELOPE CLIP WITH THERMAL SPACER, SIZE AS REQUIRED
5. VERTICAL ALUMINUM "L" OR "T" PROFILE BY NVELOPE
6. HORIZONTAL "NV3 HANGING RAIL" BY NVELOPE
7. "NV3 CLIP" WITH KEIL ANCHOR FIXED TO GFRC/UHPC PANEL
8. SECURING OR ADJUSTING SCREW BY NVELOPE
9. BREAK IN VERTICAL PROFILE AT HORIZONTAL PANEL JOINTS
10. OPTIONAL CLOSURE TRIM AT OPEN JOINT BY INSTALLER



GUIDE DETAILS BY NVELOPE ARE PROVIDED FOR GENERAL REFERENCE ONLY AND REPRESENT TYPICAL CONDITIONS FOR CLADDING ATTACHMENT SYSTEMS. PROJECT SPECIFIC ENGINEERING IS REQUIRED TO ADDRESS WIND LOAD, CLADDING WEIGHT, TYPE, PROJECTION, SPACING, ETC. CONTACT ENVELOPE FOR ADDITIONAL INFORMATION. ANY AND ALL IMPLIED WARRANTIES INCLUDING APPROPRIATENESS FOR A SPECIFIC PURPOSE ARE EXPLICITLY EXCLUDED.

SFS Group USA, Inc.
Construction Division
1045 Spring Street
Wyomissing, PA 19610
T: +1 (610) 790-2645

SFS intec

e. info@nvelope.us
w. <http://www.nvelope.us>

System:

SYSTEM: NV3-GFRC
CLADDING: GFRC or UHPC (CONCEALED FIXING)

Sheet Title:
Horizontal Joint Detail

Issue Date:
07/01/17

Scale:
6" = 1'-0"

System ID:
NV3-GFRC

Sheet:
D-09

NVELOPE
MAKING CLADDING HAPPEN
<http://www.nvelope.us> info@nvelope.us