

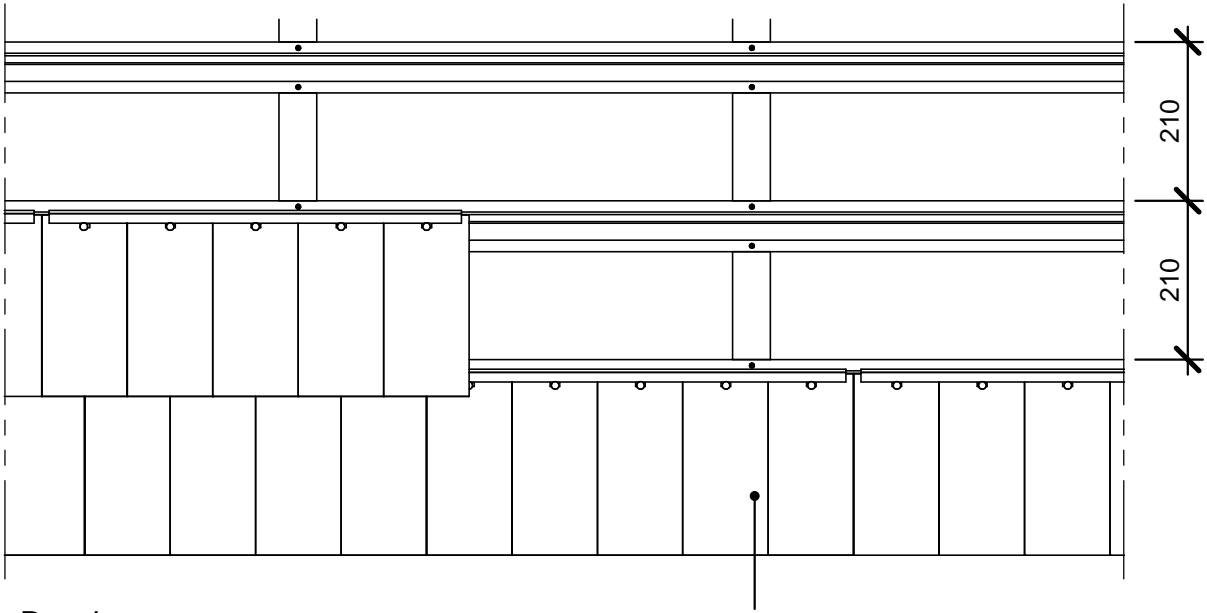
Details

KOMPROMENT

DANISH BUILDING DESIGN

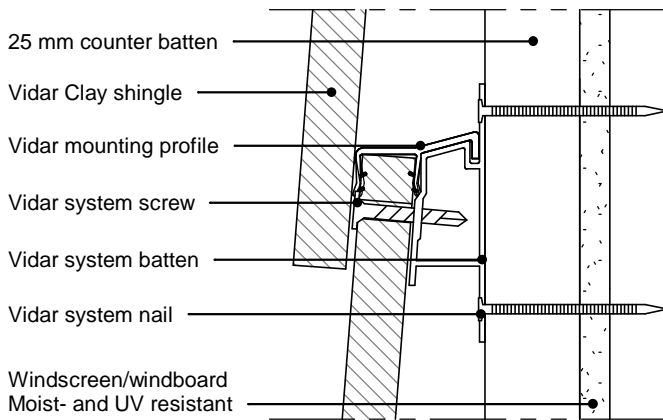
VIDAR



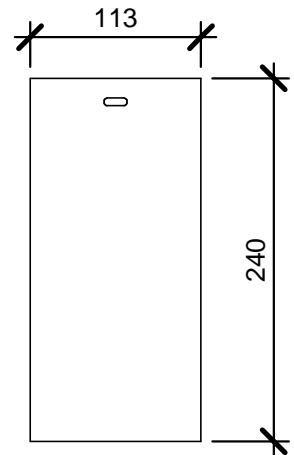


Drawing
1 : 10

At the bottom, the first batten must be mounted according to detail T-7



Cut
1 : 2



Clay shingle
1 : 5

The drawing is not to scale. All dimensions are in mm. Copyright © Komproment Danish Building design

VIDAR - system introduction

Date: 28-04-2017

Tlf: +45 96520710 Fax: +45 96520111
E-Mail: Teknik@komproment.dk
Web: www.komproment.dk

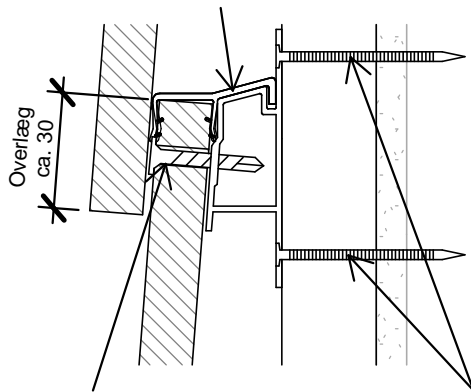
T-0

As indicated **VIDAR**

KOMPROMENT
DANISH BUILDING DESIGN

- 1 Vidar Clay shingle
- 2 Vidar mounting profile ABS&TPE
- 3 Vidar system screw
- 4 Vidar system batten
- 5 Vidar system nail
- 6 Vidar counter batten 25 mm wood or aluminium
- 7 Windboard

Mounting profile for mounting of clay shingles on Vidar system batten. Mounting profile also functions as noise-reducing element.

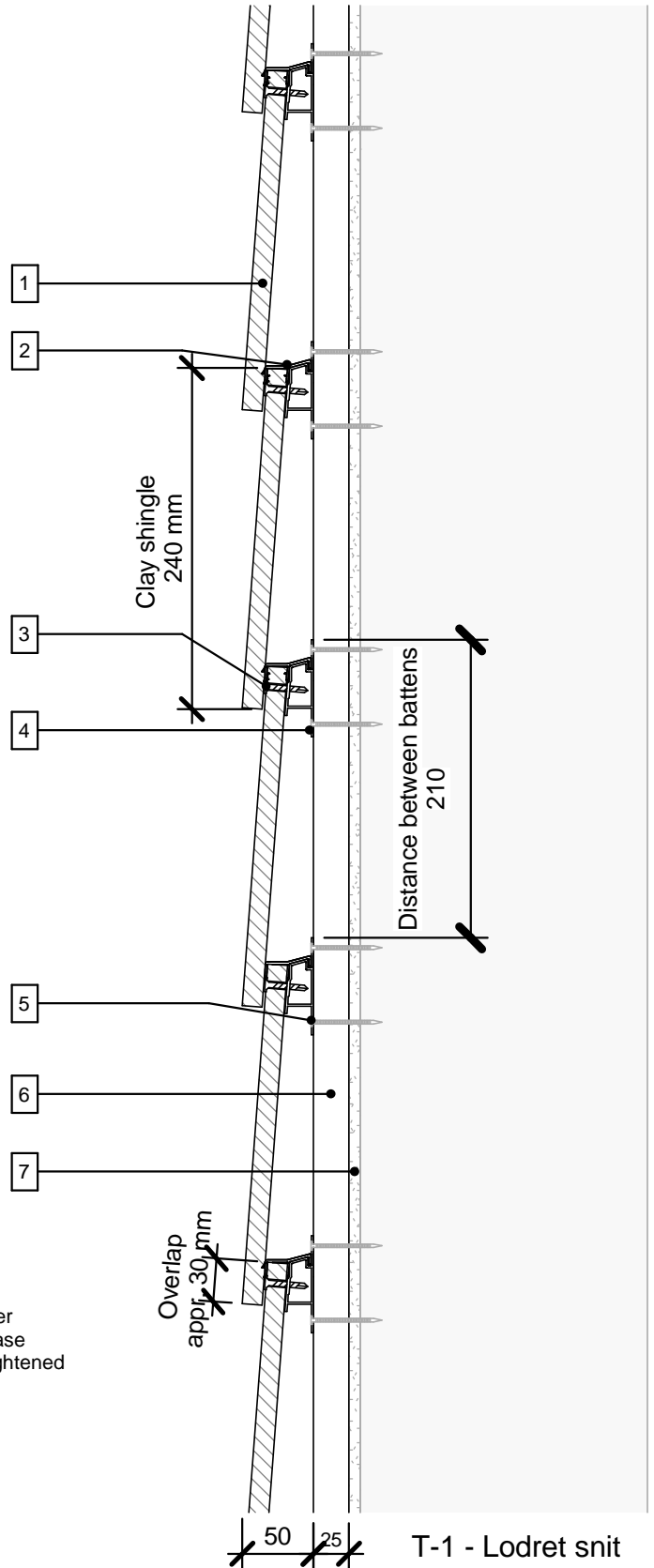


Vidar system screw according to mounting instruction. Screw to be fastened properly to ensure that clay shingle is fixed against mounting profile in top and bottom.

Use Vidar system nail in order to attach system batten. Please ensure that head of nail is tightened against system batten.

T-1 - Fastgørelse

1 : 2



T-1 - Lodret snit
1 : 5

The drawing is not to scale. All dimensions are in mm. Copyright © Komproment Danish Building design

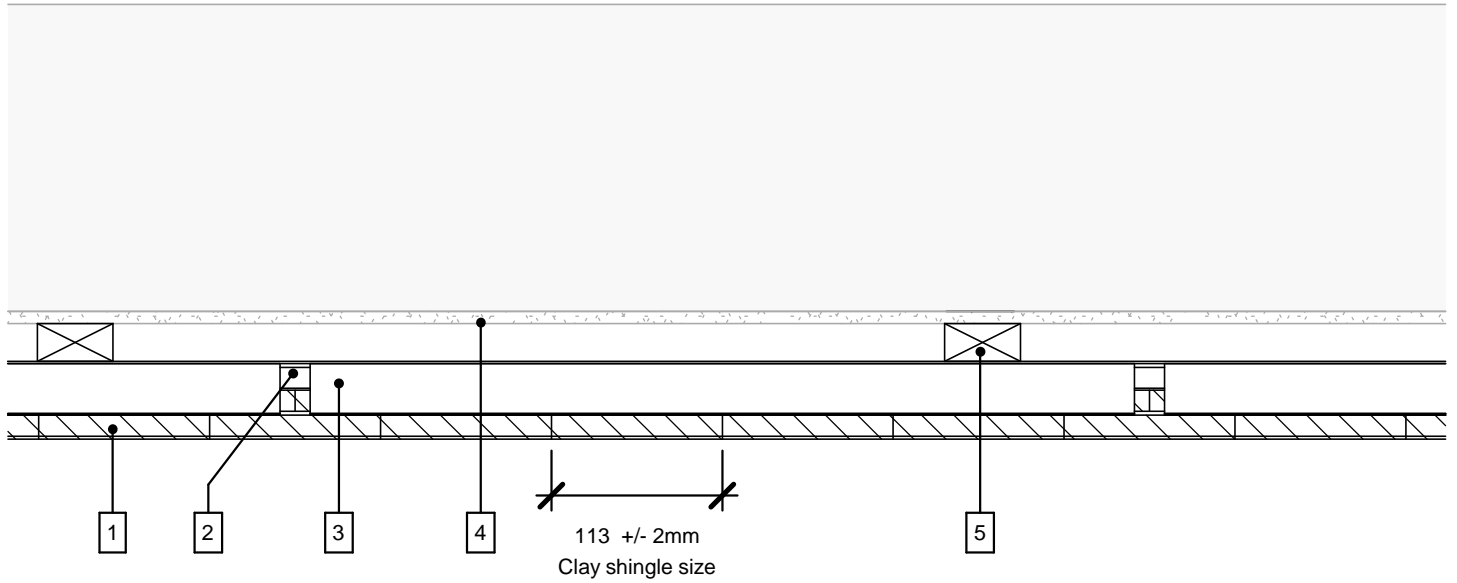
Vertical cut

Date: 28-04-2017

Tlf: +45 96520710 Fax: +45 96520111
E-Mail: Teknik@komproment.dk
Web: www.komproment.dk

T-1

As indicated



- 1 Vidar Clay shingle
- 2 Vidar system batten
- 3 Vidar mounting profile
- 4 Wind board
- 5 Vidar counter batten 25 mm wood or aluminium

The drawing is not to scale. All dimensions are in mm. Copyright © Komproment Danish Building design

Horizontal cut

Date: 28-04-2017

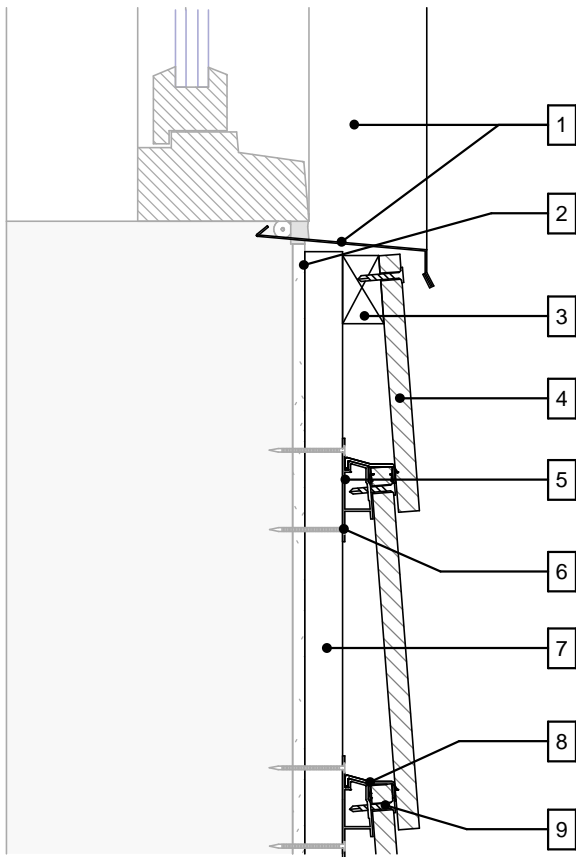
Tlf: +45 96520710 Fax: +45 96520111
E-Mail: Teknik@komproment.dk
Web: www.komproment.dk

T-2

1 : 5

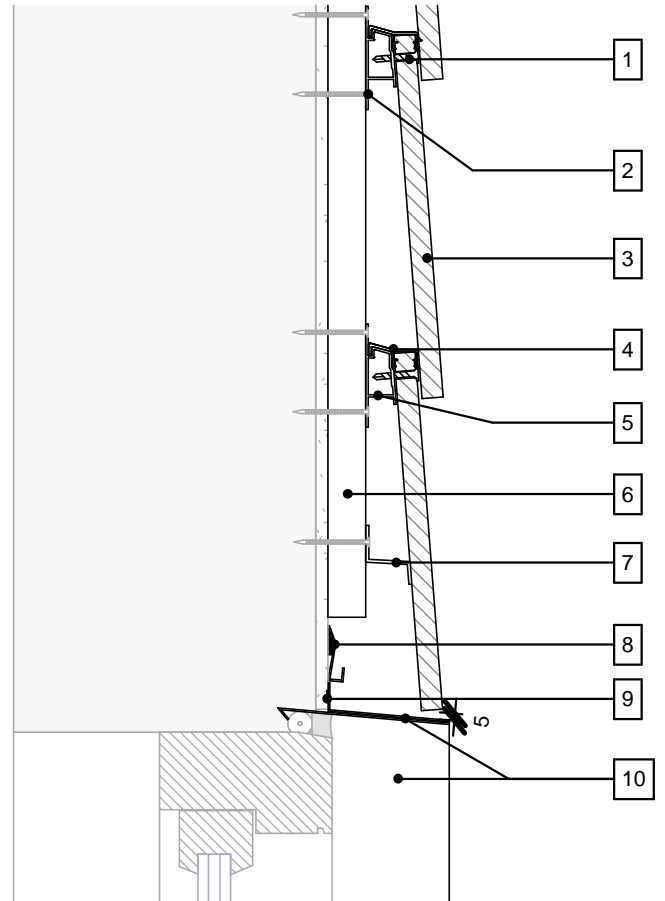
VIDAR

KOMPROMENT
DANISH BUILDING DESIGN



Bottom window

- 1 Window flashing bottom/side
- 2 Façade adhesive
- 3 Adjusted impregnated wooden batten
- 4 Vidar clay shingle – adjusted under window
- 5 Vidar system batten
- 6 Vidar system nail
- 7 Vidar counter batten 25 mm
Wood or aluminium
- 8 Vidar mounting profile ABS/TPE
- 9 Vidar system screw



Top window/door

- 1 Vidar system screw
- 2 Vidar system nail
- 3 Vidar Clay shingle
- 4 Vidar mounting profile
- 5 Vidar system batten
- 6 Vidar counter batten 25 mm
wood or aluminium
- 7 Batten no. 1
- 8 Drainage gutter – mechanically fixed and sealed
- 9 Façade adhesive
- 10 Top/side window flashing

The drawing is not to scale. All dimensions are in mm. Copyright © Komproment Danish Building design

Window/door vertical cut

Date: 28-04-2017

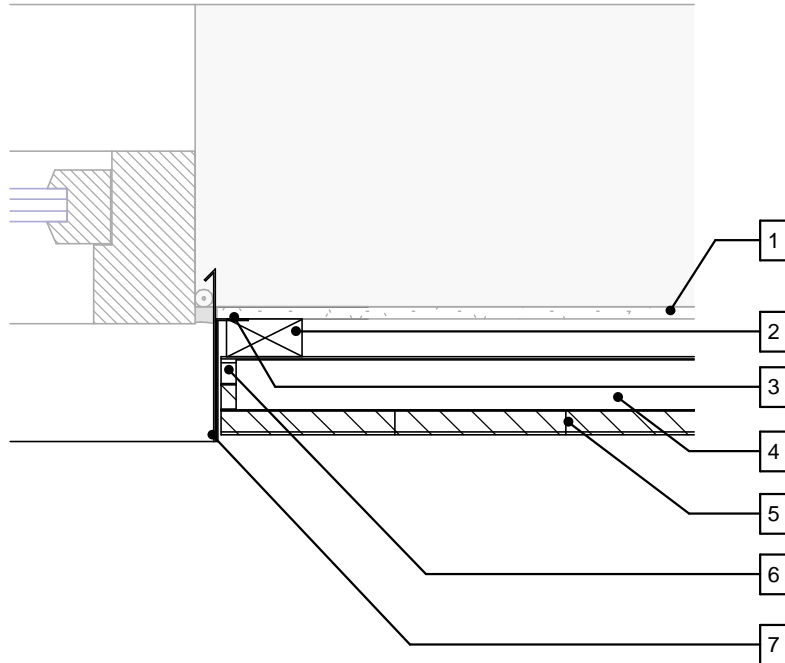
Tlf: +45 96520710 Fax: +45 96520111
E-Mail: Teknik@komproment.dk
Web: www.komproment.dk

T-3

1 : 5

VIDAR

KOMPROMENT
DANISH BUILDING DESIGN



- 1 Wind board
- 2 Vidar counter batten 25mm wood or aluminium
- 3 Façade adhesive
- 4 Vidar mounting profile
- 5 Vidar clay shingle
- 6 Vidar system batten
- 7 Window flashing / side

The drawing is not to scale. All dimensions are in mm. Copyright © Komproment Danish Building design

Window/door horizontal cut

Date: 28-04-2017

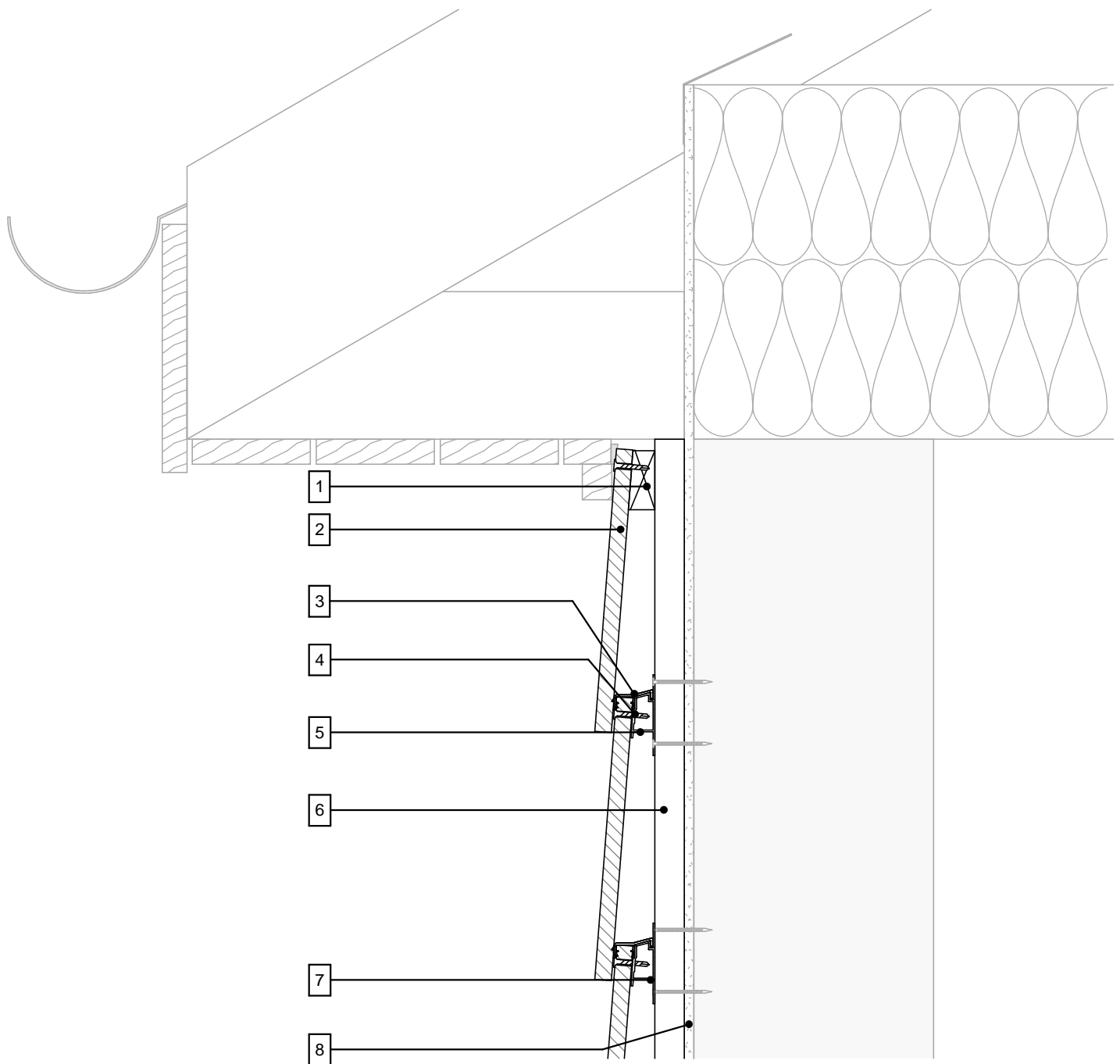
Tlf: +45 96520710 Fax: +45 96520111
E-Mail: Teknik@komproment.dk
Web: www.komproment.dk

T-4

1 : 5

VIDAR

KOMPROMENT
DANISH BUILDING DESIGN



- 1 Adjusted impregnated wooden batten
- 2 Vidar clay shingle
- 3 Vidar mounting profile
- 4 Vidar system screw
- 5 Vidar system batten
- 6 Vidar counter batten 25 mm wood or aluminium
- 7 Vidar system nail
- 8 Wind board

The drawing is not to scale. All dimensions are in mm. Copyright © Komproment Danish Building design

Connection roof/facade version 1

Date: 28-04-2017

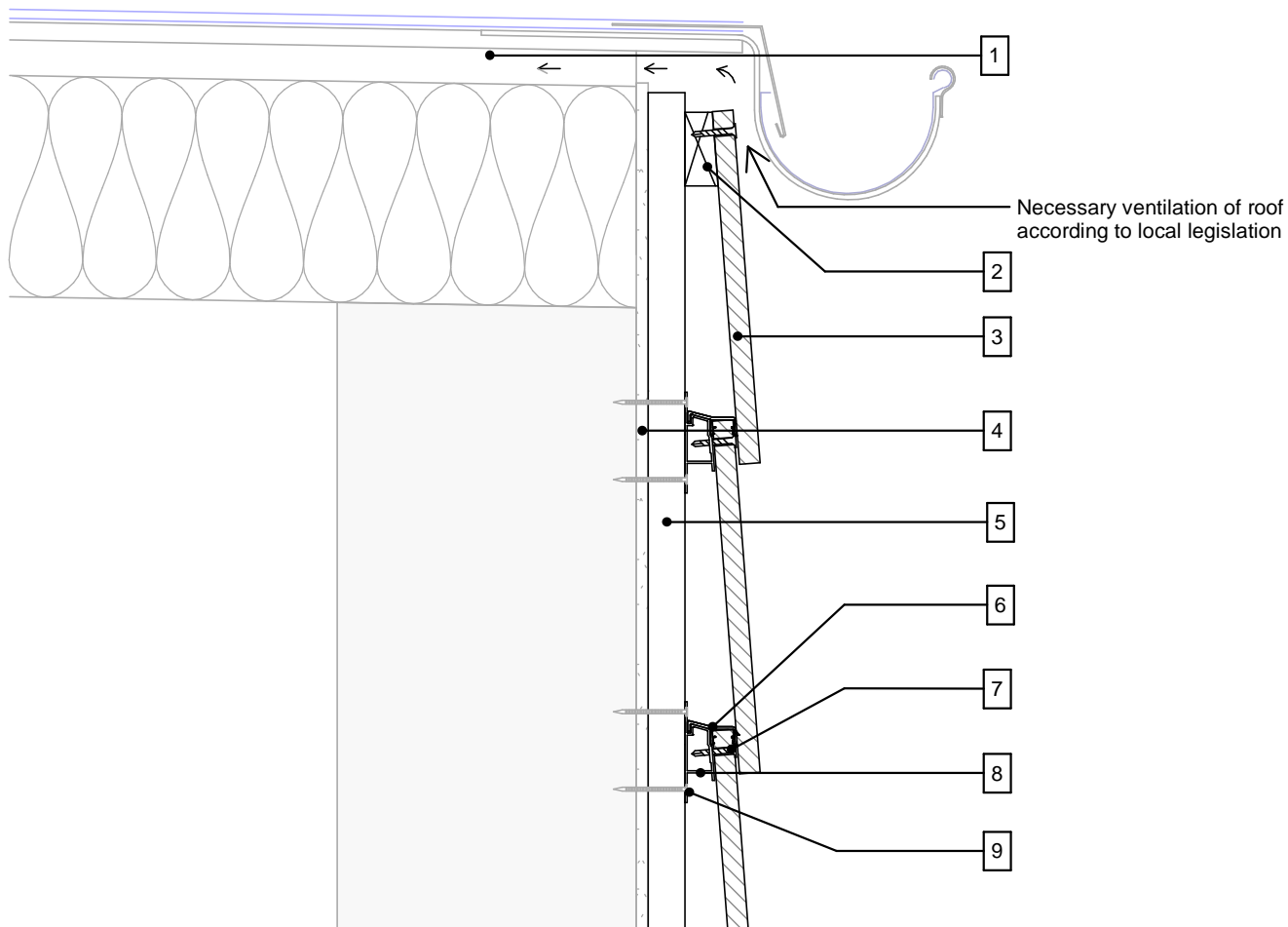
Tlf: +45 96520710 Fax: +45 96520111
E-Mail: Teknik@komproment.dk
Web: www.komproment.dk

T-5

1 : 5

VIDAR

KOMPROMENT
DANISH BUILDING DESIGN



- 1 Ventilated roof construction
- 2 Impregnated wooden batten – adjusted according to slope
- 3 Vidar clay shingle
- 4 Wind board
- 5 Vidar counter batten 25mm wood or aluminium
- 6 Vidar mounting profile
- 7 Vidar system screw
- 8 Vidar system batten
- 9 Vidar system nail

The drawing is not to scale. All dimensions are in mm. Copyright © Komproment Danish Building design

Connect- Taghældning op til 10°ersion 1

Date: 28-04-2017

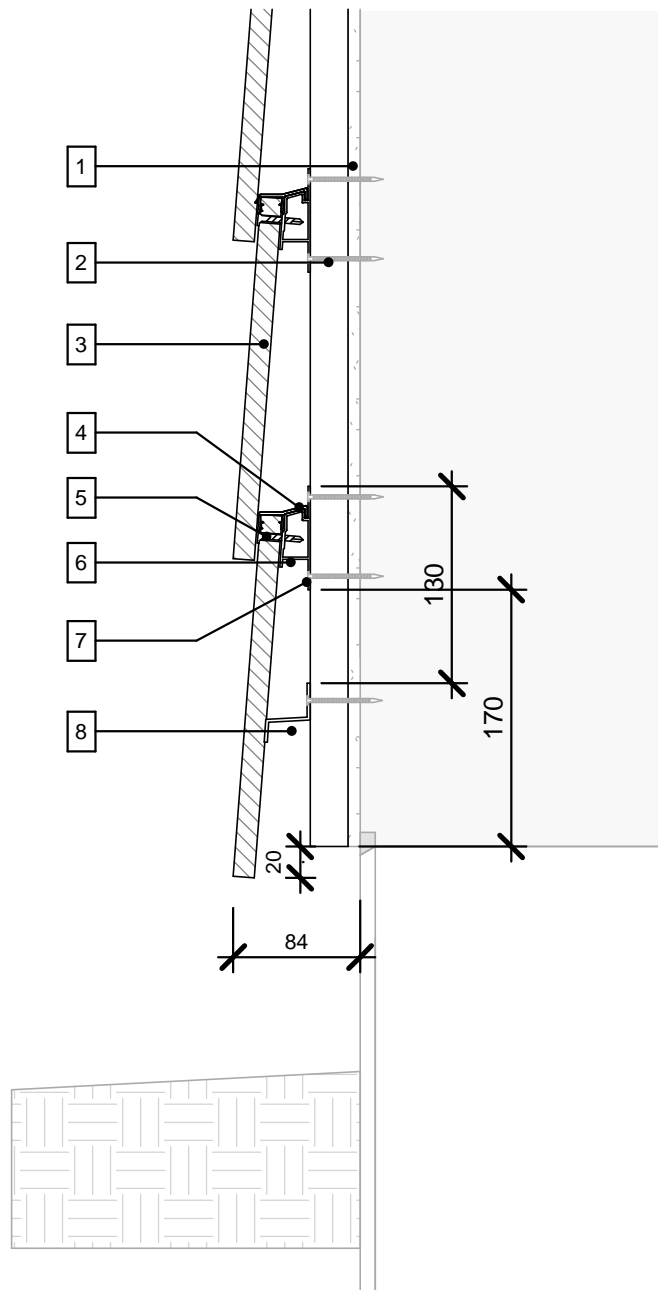
Tlf: +45 96520710 Fax: +45 96520111
E-Mail: Teknik@komproment.dk
Web: www.komproment.dk

T-6

1 : 5

VIDAR

KOMPROMENT
DANISH BUILDING DESIGN



- 1 Wind board
- 2 Vidar counter batten 25mm wood or aluminium
- 3 Vidar clay shingle
- 4 Vidar mounting profile
- 5 Vidar system screw
- 6 Vidar system batten
- 7 Vidar system nail
- 8 Vidar no. 1 batten (must always be 130mm below first system batten – see detail above)

The drawing is not to scale. All dimensions are in mm. Copyright © Komproment Danish Building design

Start facade

Date: 28-04-2017

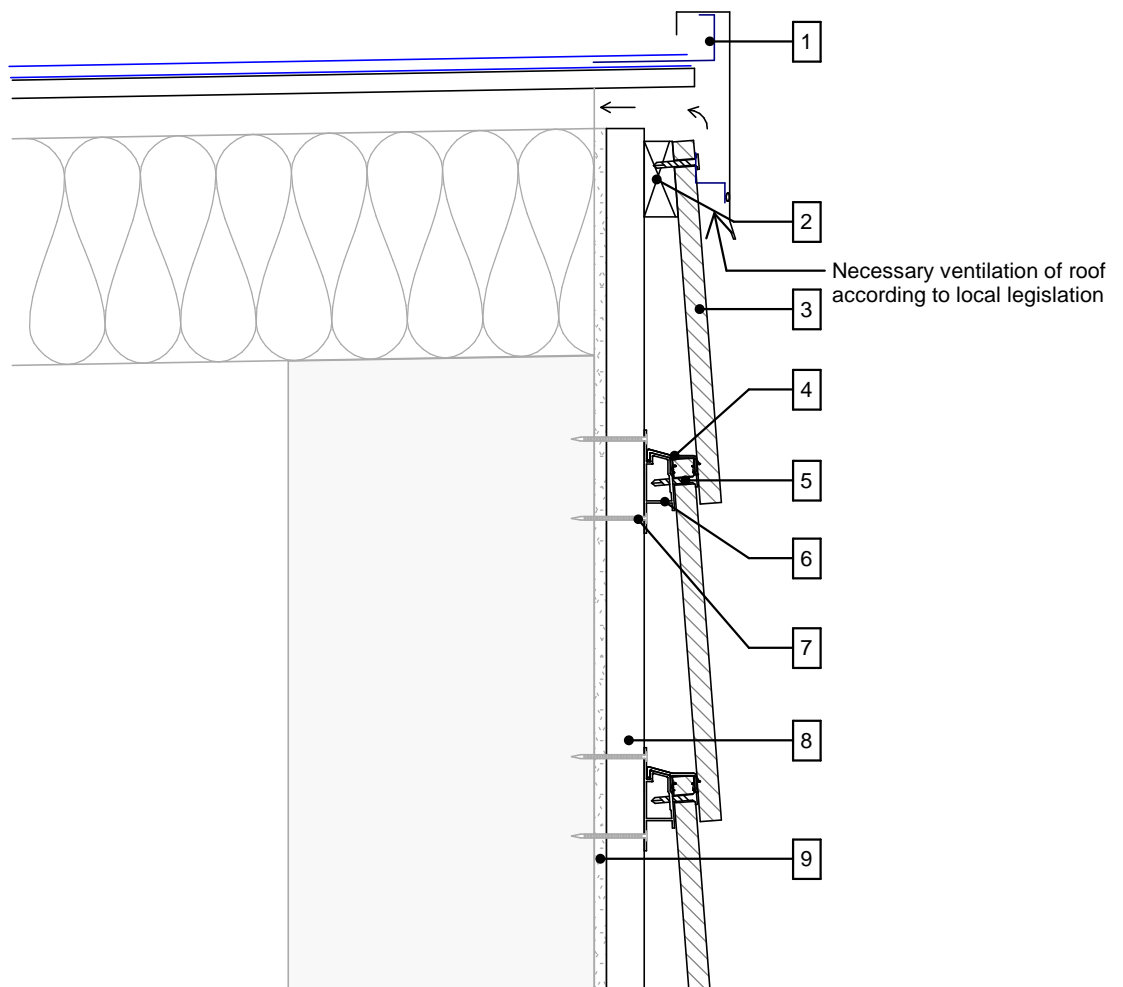
Tlf: +45 96520710 Fax: +45 96520111
E-Mail: Teknik@komproment.dk
Web: www.komproment.dk

T-7

1 : 5

VIDAR

KOMPROMENT
DANISH BUILDING DESIGN



- 1 Top elements/finishing elements (project specified)
- 2 Impregnated wooden batten – adjusted according to slope
- 3 Vidar clay shingle
- 4 Vidar mounting profile
- 5 Vidar system screw
- 6 Vidar system batten
- 7 Vidar system nail
- 8 Vidar counter batten 25 mm wood or aluminium
- 9 Wind board

The drawing is not to scale. All dimensions are in mm. Copyright © Komproment Danish Building design

With air vent. - Taghældning op til 10°

Date: 28-04-2017

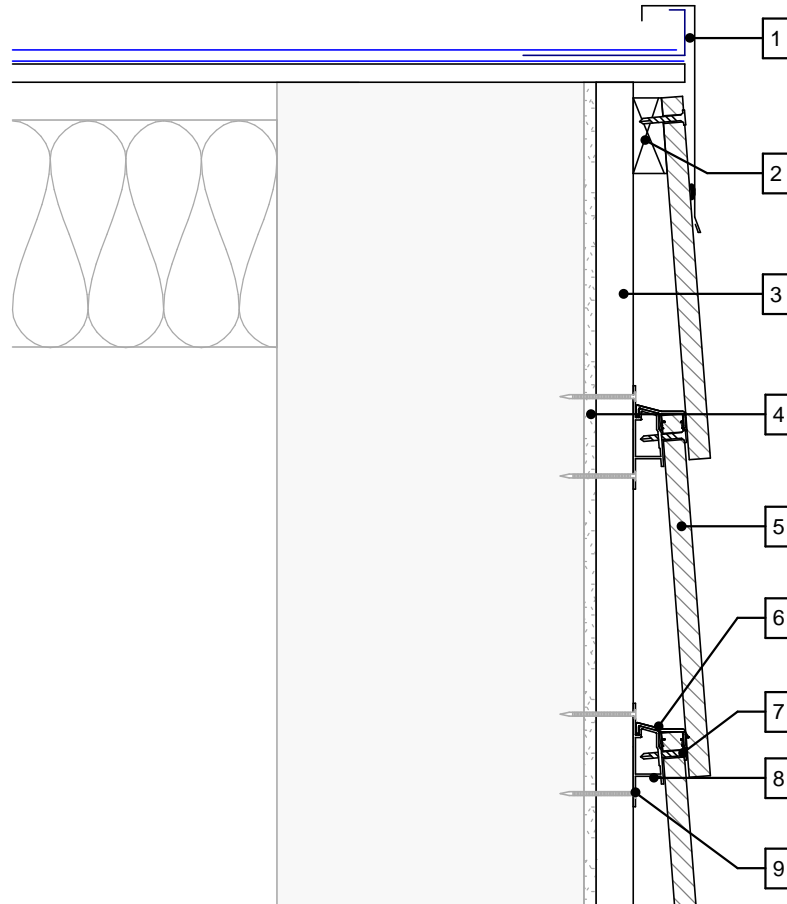
Tlf: +45 96520710 Fax: +45 96520111
E-Mail: Teknik@komproment.dk
Web: www.komproment.dk

T-8

1 : 5

VIDAR

KOMPROMENT
DANISH BUILDING DESIGN



- 1 Top elements/finishing elements
(project specified)
- 2 Impregnated wooden batten –
adjusted according to slope
- 3 Vidar counter batten 25 mm
wood or aluminium
- 4 Wind board
- 5 Vidar clay shingle
- 6 Vidar mounting profile
- 7 Vidar system screw
- 8 Vidar system batten
- 9 Wind system nail

The drawing is not to scale. All dimensions are in mm. Copyright © Komproment Danish Building design

without air vent. - Taghældning op til 10°

Date: 28-04-2017

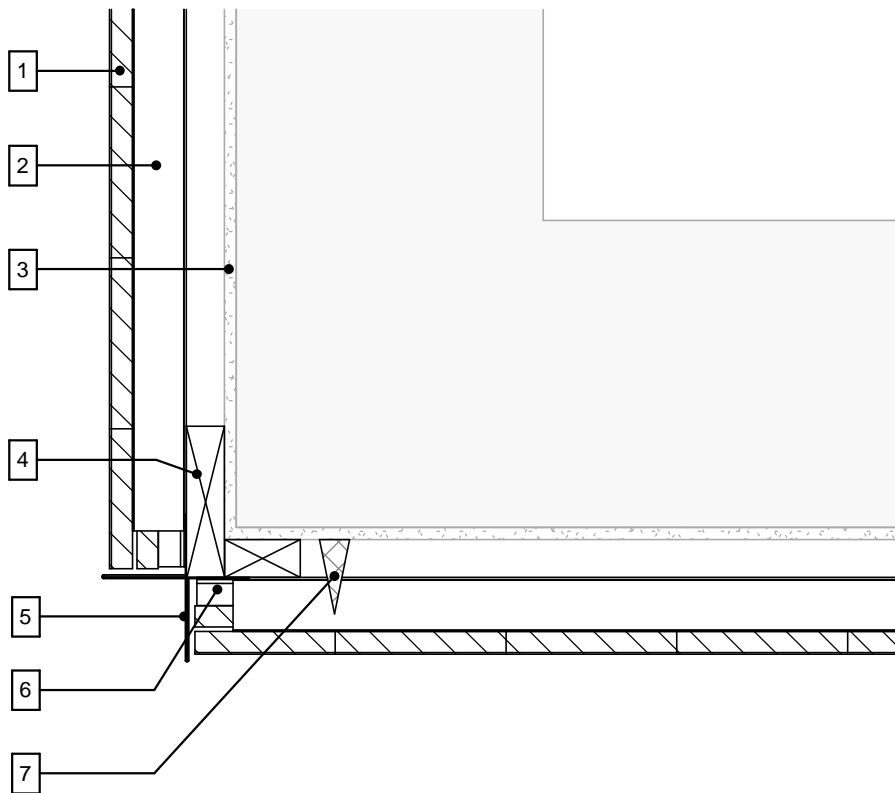
Tlf: +45 96520710 Fax: +45 96520111
E-Mail: Teknik@komproment.dk
Web: www.komproment.dk

T-9

1 : 5

VIDAR

KOMPROMENT
DANISH BUILDING DESIGN



- 1 Vidar clay shingle
- 2 Vidar mounting profile
- 3 Wind board
- 4 Vidar counter batten 25 mm
wood or aluminium
- 5 Corner profile externally
mounted on counter battens per 250mm
- 6 Vidar system batten
- 7 Element for separating facades (wind stop)

The drawing is not to scale. All dimensions are in mm. Copyright © Komproment Danish Building design

External corner with alu profile

Date: 28-04-2017

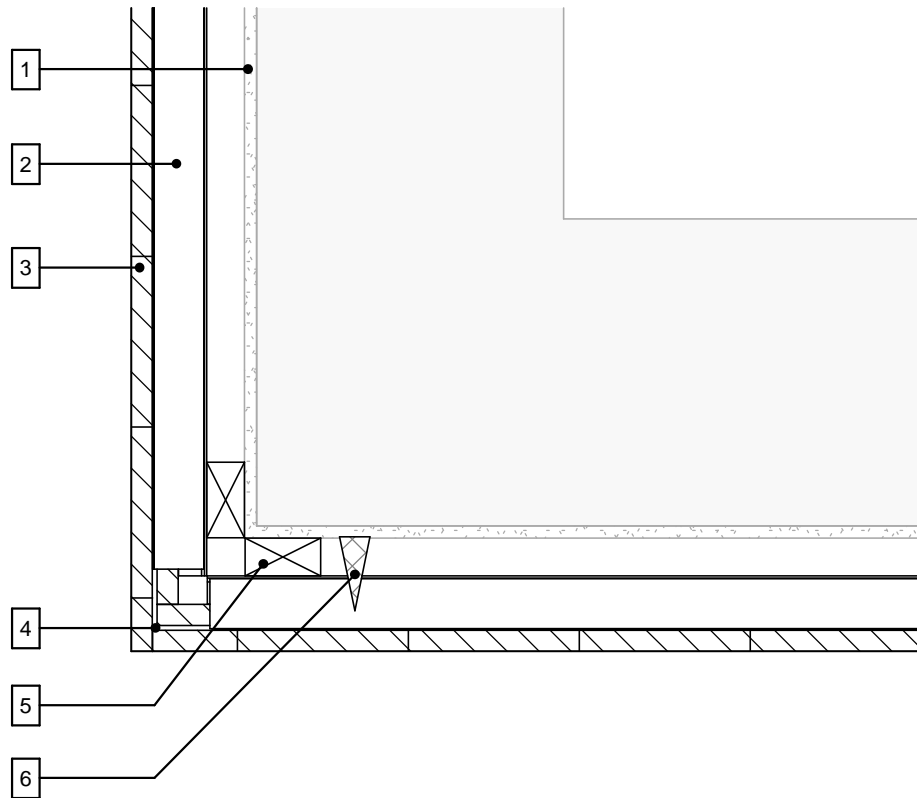
Tlf: +45 96520710 Fax: +45 96520111
E-Mail: Teknik@komproment.dk
Web: www.komproment.dk

T-10

1 : 5

VIDAR

KOMPROMENT
DANISH BUILDING DESIGN



- 1 Wind board
- 2 Vidar mounting profile
- 3 Vidar clay shingle
- 4 Vidar clay shingle adjusted to external corner
- 5 Vidar counter batten 25mm wood or aluminium
- 6 Element for separating facades (wind stop)

The drawing is not to scale. All dimensions are in mm. Copyright © Komproment Danish Building design

External corner detail

Date: 28-04-2017

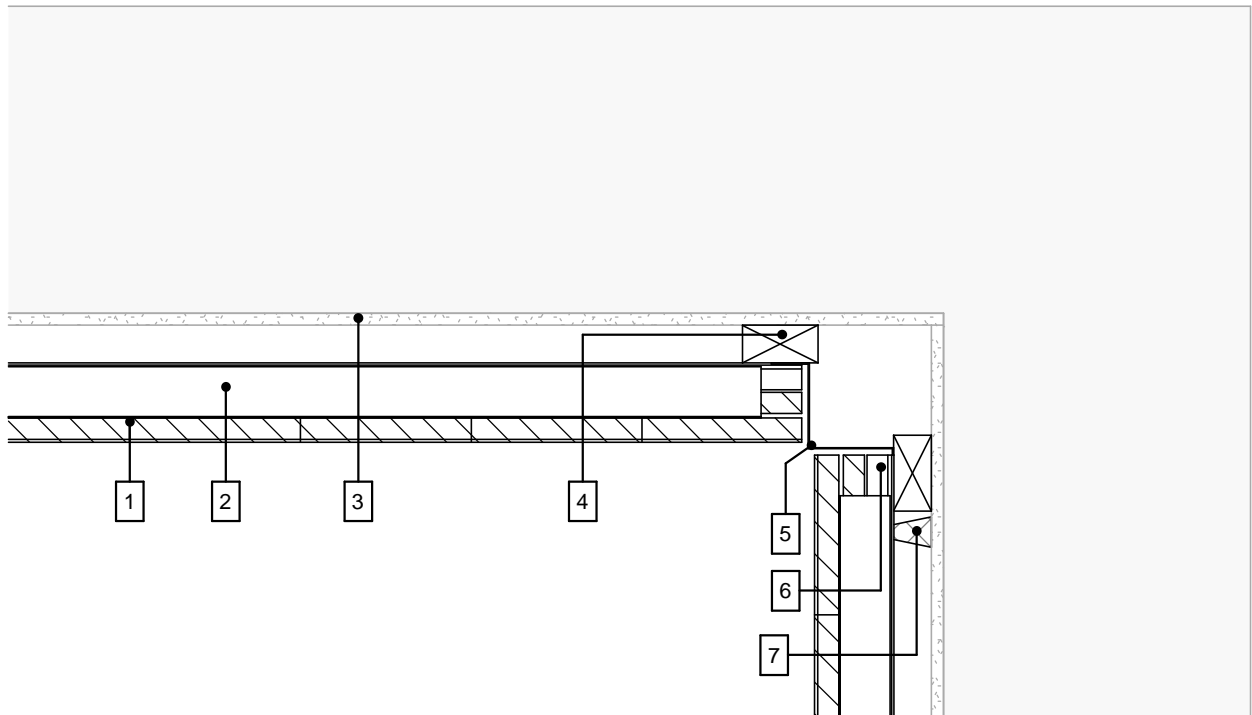
Tlf: +45 96520710 Fax: +45 96520111
E-Mail: Teknik@komproment.dk
Web: www.komproment.dk

T-11

1 : 5

VIDAR

KOMPROMENT
DANISH BUILDING DESIGN



- 1 Vidar clay shingle
- 2 Vidar mounting profile
- 3 Wind board
- 4 Vidar counter batten 25mm
wood or aluminium
- 5 Corner profile – internal
mounted on counter battens per 250mm
- 6 Vidar system batten
- 7 Element for separating facades
(wind stop)

The drawing is not to scale. All dimensions are in mm. Copyright © Komproment Danish Building design

Internal corner with alu profile

Date: 28-04-2017

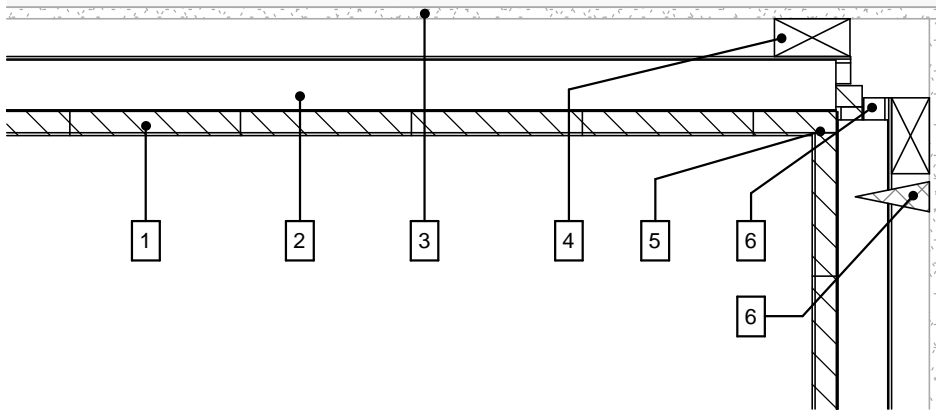
Tlf: +45 96520710 Fax: +45 96520111
E-Mail: Teknik@komproment.dk
Web: www.komproment.dk

T-12

1 : 5

VIDAR

KOMPROMENT
DANISH BUILDING DESIGN



- 1 Vidar clay shingle
- 2 Vidar mounting profile
- 3 Wind board
- 4 Vidar counter batten 25mm wood or aluminium
- 5 Vidar clay shingle adjusted for internal corner
- 6 Vidar sytem batten
- 7 Trekantskile i skum til vindstop mellem facadeafsnit

The drawing is not to scale. All dimensions are in mm. Copyright © Komproment Danish Building design

Internal corner detail

Date: 28-04-2017

Tlf: +45 96520710 Fax: +45 96520111
E-Mail: Teknik@komproment.dk
Web: www.komproment.dk

T-13

1 : 5

VIDAR

KOMPROMENT
DANISH BUILDING DESIGN