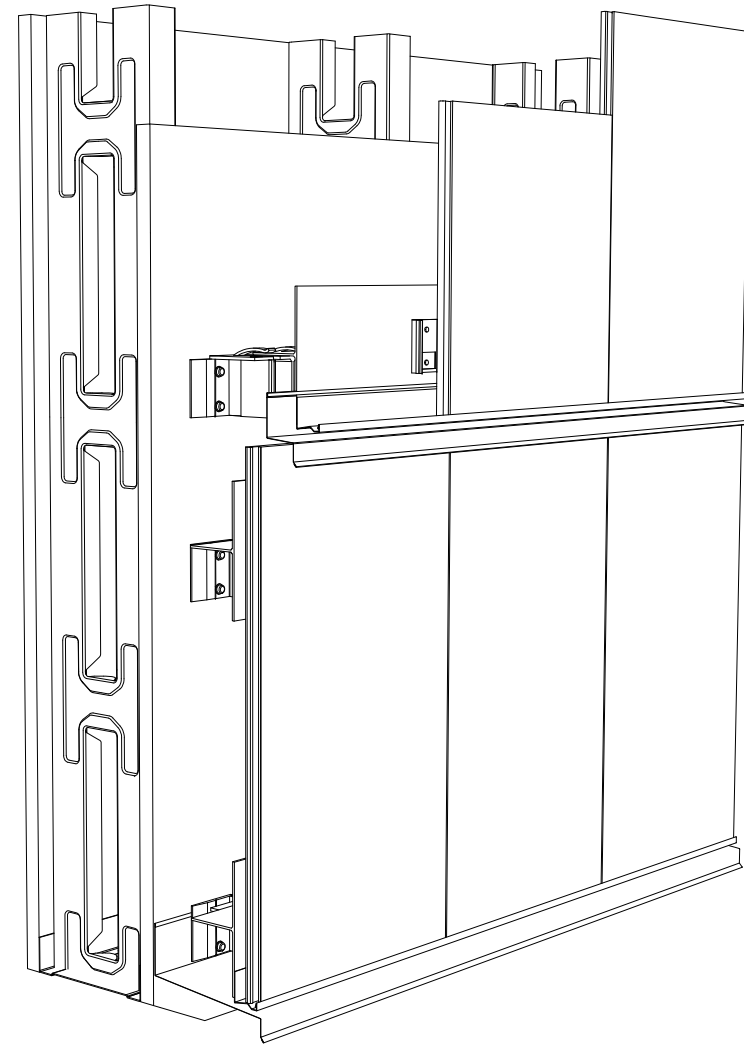


Thermally Broken Cladding Support System

NH2 - EF

- S-01 NVELOPE BRACKET DETAILS
- S-02 NVELOPE RAIL AND PROFILE DETAILS
- S-03 DETAIL REFERENCE

- D-01a PLAN DETAIL - STEEL STUD FRAMED WALL
- D-01b OUTSIDE CORNER DETAIL
- D-01c INSIDE CORNER DETAIL
- D-02 PARAPET DETAIL
- D-03 HORIZONTAL PANEL JOINT
- D-04 WINDOW HEAD DETAIL
- S-05 WINDOW SILL DETAIL
- D-06 BASE DETAIL



GUIDE DETAILS BY SFS ARE PROVIDED FOR GENERAL REFERENCE ONLY AND REPRESENT TYPICAL CONDITIONS FOR CLADDING ATTACHMENT SYSTEMS. PROJECT SPECIFIC ENGINEERING IS REQUIRED TO ADDRESS WIND LOAD, CLADDING WEIGHT, TYPE, PROJECTION, SPACING, ETC. CONTACT SFS FOR ADDITIONAL INFORMATION. ANY AND ALL IMPLIED WARRANTIES INCLUDING APPROPRIATENESS FOR A SPECIFIC PURPOSE ARE EXPLICITLY EXCLUDED.

SFS Group USA, Inc
Construction Division
1045 Spring Street
Wyomissing, PA 19610
T: +1 (800) 234-4533

e. us.nvelope@sintec.biz
w. <http://www.nvelope.us>

System:

System: NH2-EF
Cladding: CERACLAD

Sheet Title: COVERSHEET & DRAWING INDEX

Sheet Title: 5/8/2018

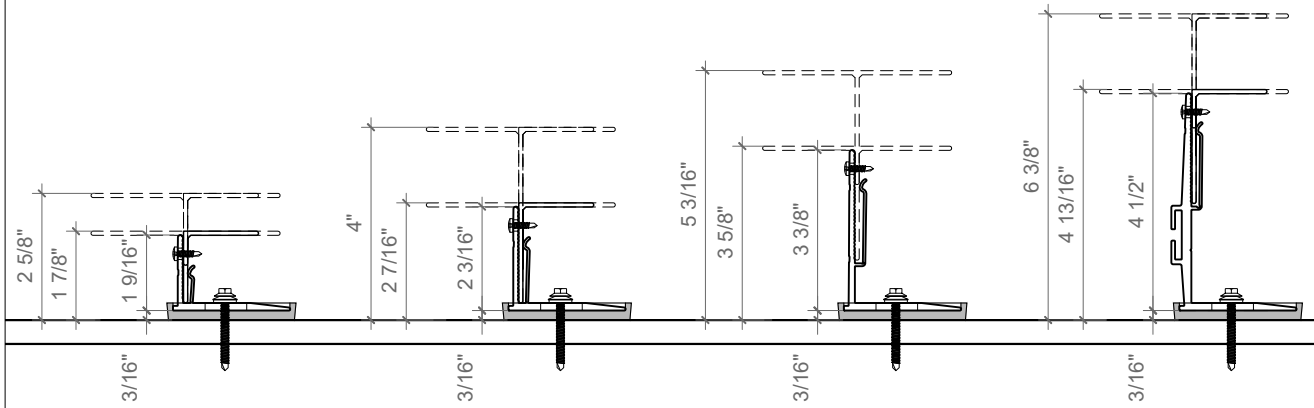
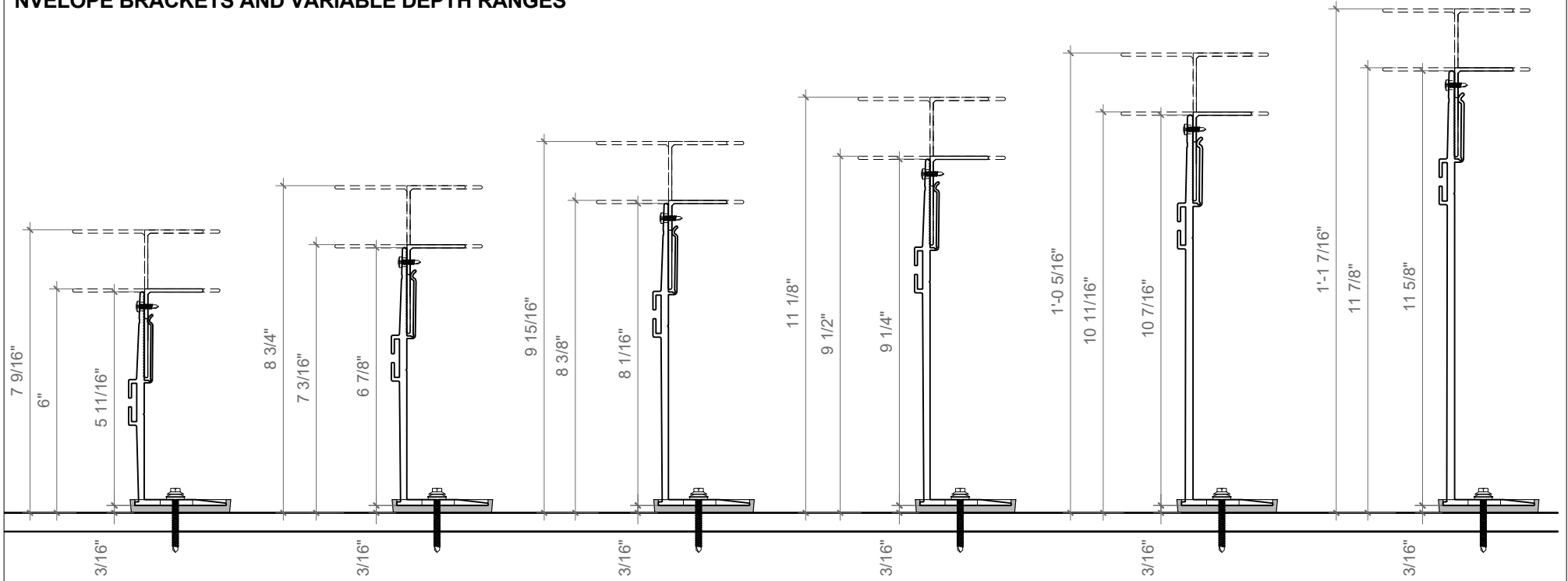
Sheet Title: N.T.S.

Sheet Title: NH2-EF

Sheet Title: COVER

 **NVELOPE**
MAKING CLADDING HAPPEN
A brand of 

NVELOPE BRACKETS AND VARIABLE DEPTH RANGES



NVELOPE BRACKET - ADJUSTMENT RANGE				
SIZE	STEEL	MASONRY	FROM	TO
40mm	VB-40	MNC-120	1-7/8" (47mm)	2-5/8" (67mm)
60mm	VB-60	MNC-60	2-7/16" (62mm)	4" (102mm)
90mm	VB-90	MNC-90	3-5/8" (92mm)	5-3/16" (132mm)
120mm	VB-120	MNC-120	4-13/16" (122mm)	6-3/8" (162mm)
150mm	VB-150	MNC-150	6" (152mm)	7-9/16" (192mm)
180mm	VB-180	MNC-180	7-3/16" (182mm)	8-3/4" (222mm)
210mm	VB-210	MNC-210	8-3/8" (212mm)	9-15/16" (252mm)
240mm	VB-240	MNC-240	9-1/2" (242mm)	11-1/8" (282mm)
270mm	VB-270	MNC-270	10-11/16" (272mm)	12-5/16" (312mm)
300mm	VB-300	MNC-300	11-7/8" (302mm)	13-7/16" (342mm)

GUIDE DETAILS BY SFS ARE PROVIDED FOR GENERAL REFERENCE ONLY AND REPRESENT TYPICAL CONDITIONS FOR CLADDING ATTACHMENT SYSTEMS. PROJECT SPECIFIC ENGINEERING IS REQUIRED TO ADDRESS WIND LOAD, CLADDING WEIGHT, TYPE, PROJECTION, SPACING, ETC. CONTACT SFS FOR ADDITIONAL INFORMATION. ANY AND ALL IMPLIED WARRANTIES INCLUDING APPROPRIATENESS FOR A SPECIFIC PURPOSE ARE EXPLICITLY EXCLUDED.

SFS Group USA, Inc
Construction Division
1045 Spring Street
Wyomissing, PA 19610
T: +1 (800) 234-4533

e. us.nvelope@sintec.biz
w. <http://www.nvelope.us>

System:

System: NH2-EF
Cladding: CERACLAD

Sheet Title: NVELOPE BRACKET DETAILS

Sheet Title: 5/8/2018

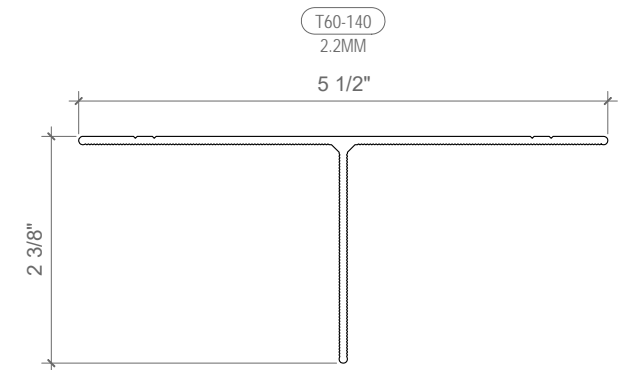
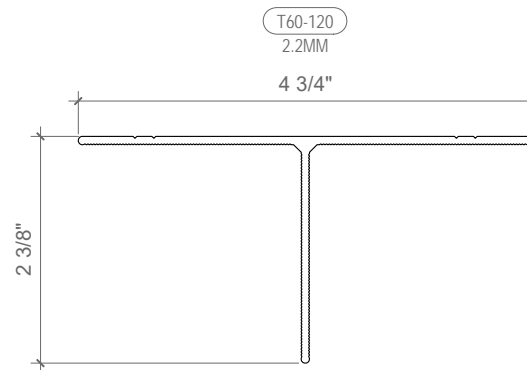
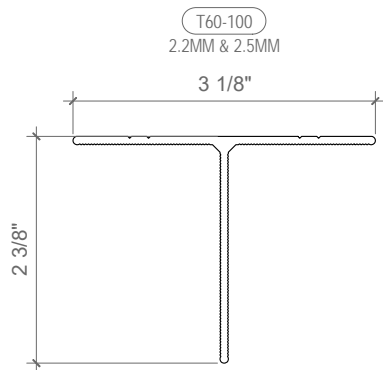
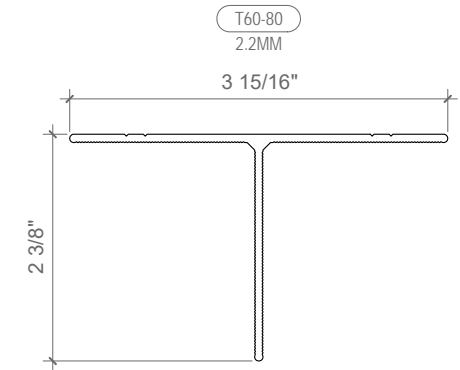
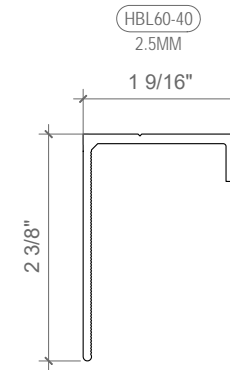
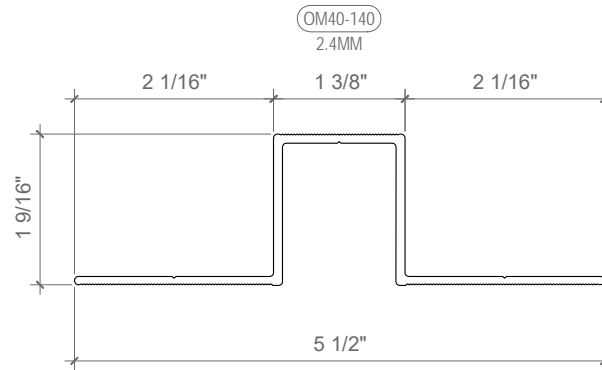
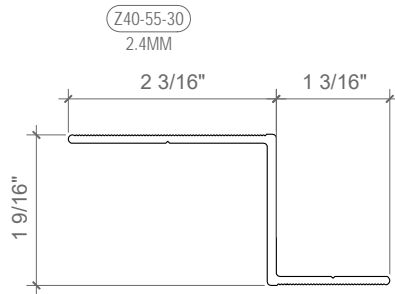
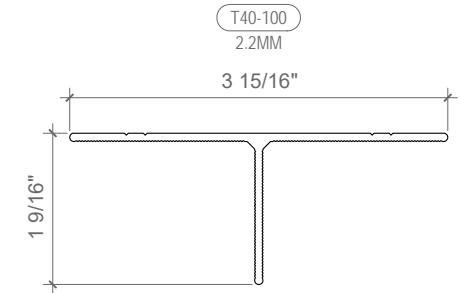
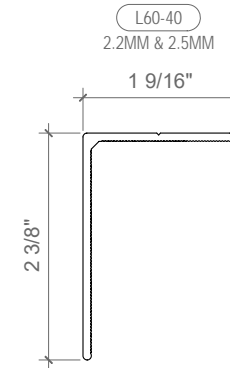
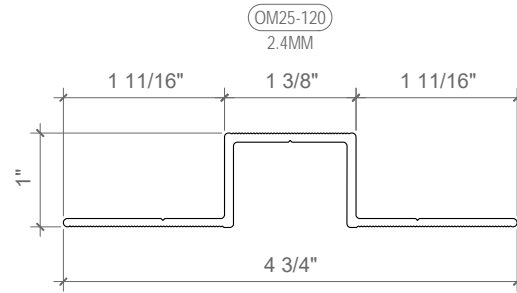
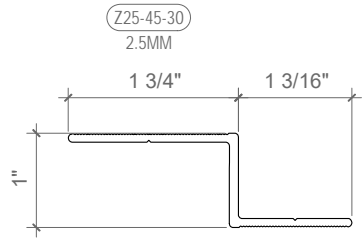
Scale: 4"=1'-0"

Sheet Title: NH2-EF

Sheet Title: S-01



NVELOPE CLADDING RAILS AND MOUNTING PROFILES



GUIDE DETAILS BY SFS ARE PROVIDED FOR GENERAL REFERENCE ONLY AND REPRESENT TYPICAL CONDITIONS FOR CLADDING ATTACHMENT SYSTEMS. PROJECT SPECIFIC ENGINEERING IS REQUIRED TO ADDRESS WIND LOAD, CLADDING WEIGHT, TYPE, PROJECTION, SPACING, ETC. CONTACT SFS FOR ADDITIONAL INFORMATION. ANY AND ALL IMPLIED WARRANTIES INCLUDING APPROPRIATENESS FOR A SPECIFIC PURPOSE ARE EXPLICITLY EXCLUDED.

SFS Group USA, Inc
Construction Division
1045 Spring Street
Wyomissing, PA 19610
T: +1 (800) 234-4533

e. us.nvelope@sintec.biz
w. <http://www.nvelope.us>

System:

System: NH2-EF
Cladding: CERACLAD

Sheet Title: NVELOPE RAIL AND PROFILE DETAILS

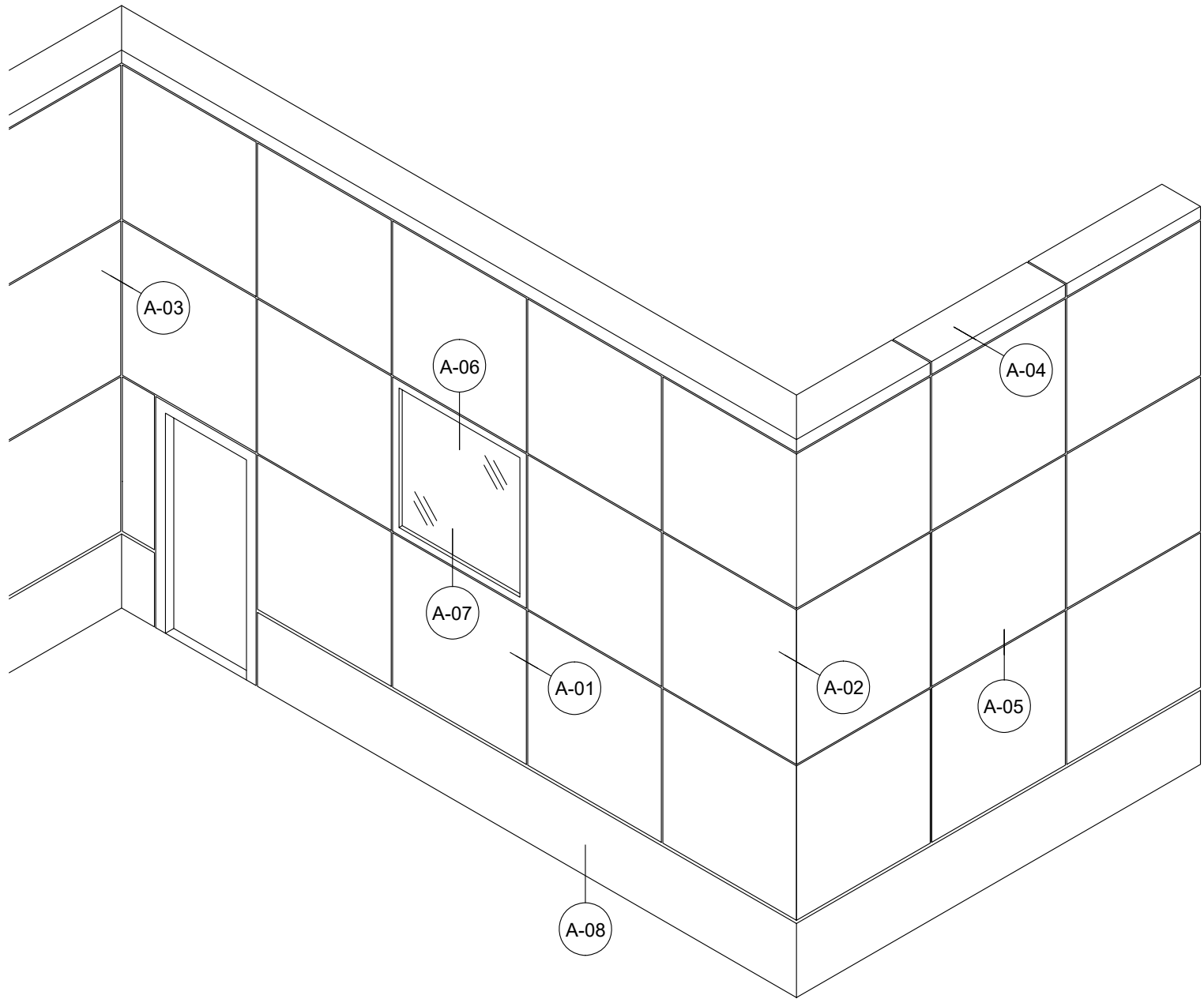
Sheet Title: 5/8/2018

Scale: 4"=1'-0"

Sheet Title: NH2-EF

Sheet Title: S-02





GUIDE DETAILS BY SFS ARE PROVIDED FOR GENERAL REFERENCE ONLY AND REPRESENT TYPICAL CONDITIONS FOR CLADDING ATTACHMENT SYSTEMS. PROJECT SPECIFIC ENGINEERING IS REQUIRED TO ADDRESS WIND LOAD, CLADDING WEIGHT, TYPE, PROJECTION, SPACING, ETC. CONTACT SFS FOR ADDITIONAL INFORMATION. ANY AND ALL IMPLIED WARRANTIES INCLUDING APPROPRIATENESS FOR A SPECIFIC PURPOSE ARE EXPLICITLY EXCLUDED.

SFS Group USA, Inc
 Construction Division
 1045 Spring Street
 Wyomissing, PA 19610
 T: +1 (800) 234-4533

e. us.nvelope@sintec.biz
 w. <http://www.nvelope.us>

System:

System: NH2-EF
 Cladding: CERACLAD

Sheet Title: DETAIL REFERENCE	
Sheet Title: 5/8/2018	Sheet Title: NH2-EF
Sheet Title: N.T.S.	Sheet Title: S-03



NVELOPE BRACKET W.
THERMAL ISOLATOR, SIZE AS REQ.

NVELOPE "NH2 ADAPTER"

NVELOPE HORIZONTAL ALUMN.
("T" PROFILE)

CLIP SCREW 3/4"
(RY8840)

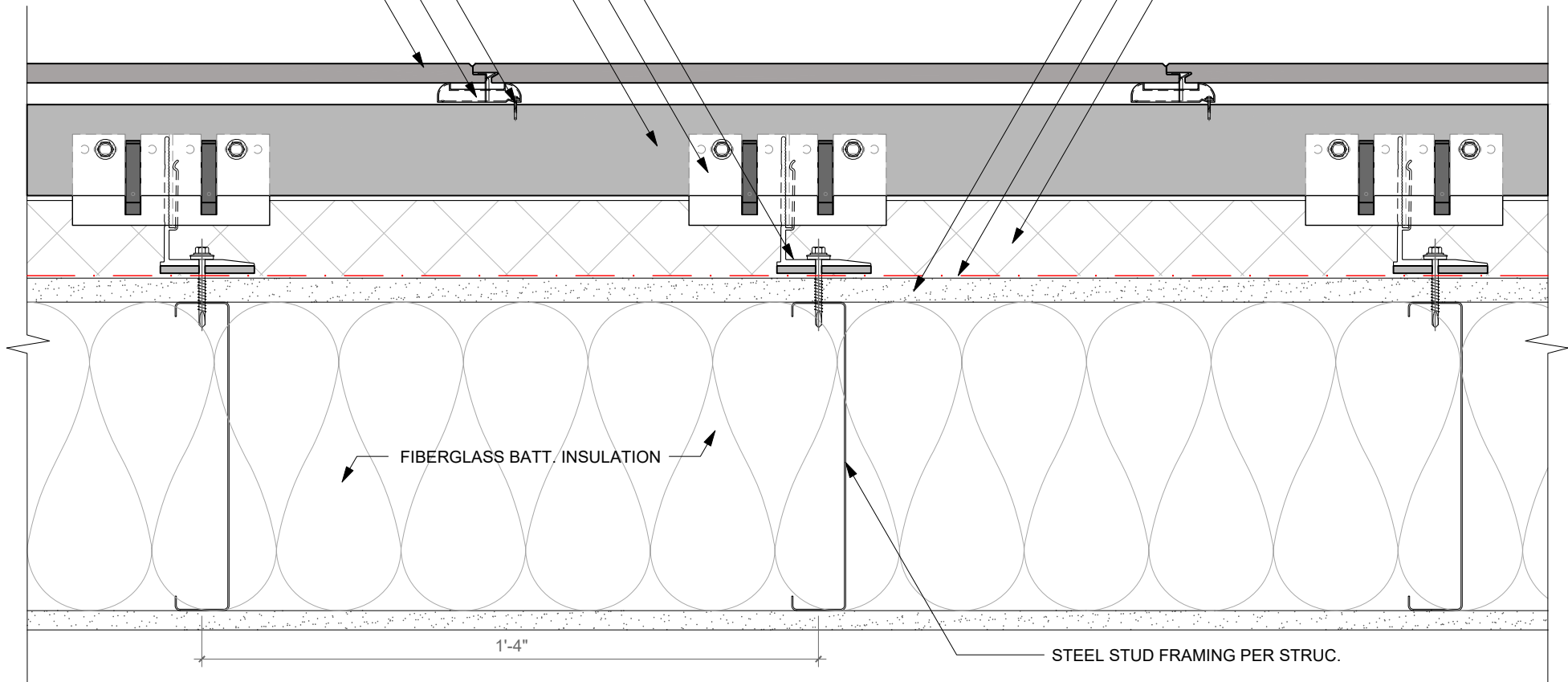
PANEL CLIP

CERACLAD PANEL

EXTERIOR GYPSUM SHEATHING

WATER RESISTIVE BARRIER

MINERAL WOOL INSULATION



FIBERGLASS BATT. INSULATION

1'-4"

STEEL STUD FRAMING PER STRUC.

GUIDE DETAILS BY SFS ARE PROVIDED FOR GENERAL REFERENCE ONLY AND REPRESENT TYPICAL CONDITIONS FOR CLADDING ATTACHMENT SYSTEMS. PROJECT SPECIFIC ENGINEERING IS REQUIRED TO ADDRESS WIND LOAD, CLADDING WEIGHT, TYPE, PROJECTION, SPACING, ETC. CONTACT SFS FOR ADDITIONAL INFORMATION. ANY AND ALL IMPLIED WARRANTIES INCLUDING APPROPRIATENESS FOR A SPECIFIC PURPOSE ARE EXPLICITLY EXCLUDED.

SFS Group USA, Inc
Construction Division
1045 Spring Street
Wyomissing, PA 19610
T: +1 (800) 234-4533

e. us.nvelope@sintec.biz
w. <http://www.nvelope.us>

System:

System: NH2-EF
Cladding: CERACLAD

Sheet Title: PLAN DETAIL - STEEL/WOOD STUD

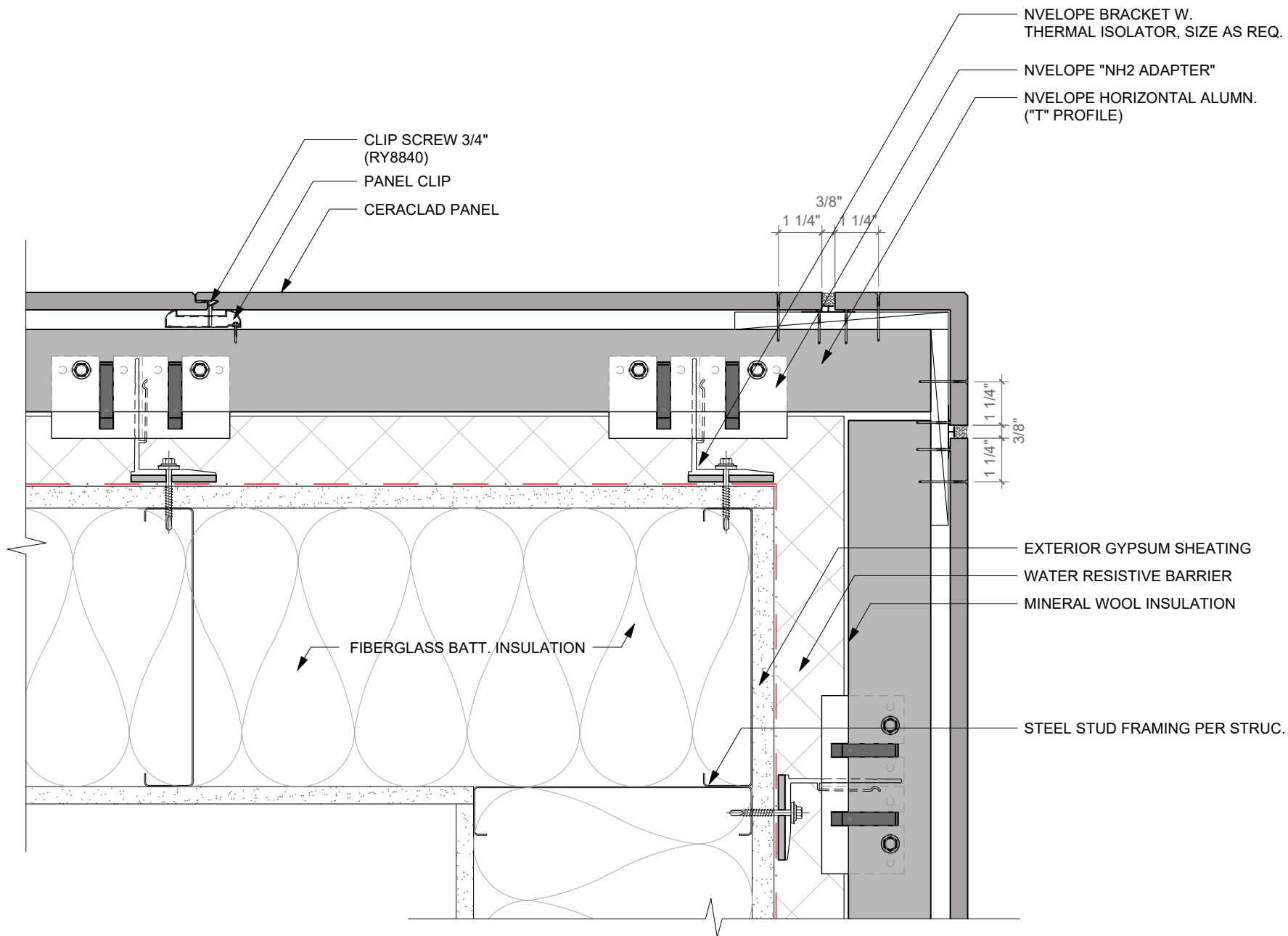
Sheet Title: 5/8/2018

Scale: 4"=1'-0"

Sheet Title: NH2-EF

Sheet Title: D-01a





GUIDE DETAILS BY SFS ARE PROVIDED FOR GENERAL REFERENCE ONLY AND REPRESENT TYPICAL CONDITIONS FOR CLADDING ATTACHMENT SYSTEMS. PROJECT SPECIFIC ENGINEERING IS REQUIRED TO ADDRESS WIND LOAD, CLADDING WEIGHT, TYPE, PROJECTION, SPACING, ETC. CONTACT SFS FOR ADDITIONAL INFORMATION. ANY AND ALL IMPLIED WARRANTIES INCLUDING APPROPRIATENESS FOR A SPECIFIC PURPOSE ARE EXPLICITLY EXCLUDED.

SFS Group USA, Inc
Construction Division
1045 Spring Street
Wyomissing, PA 19610
T: +1 (800) 234-4533

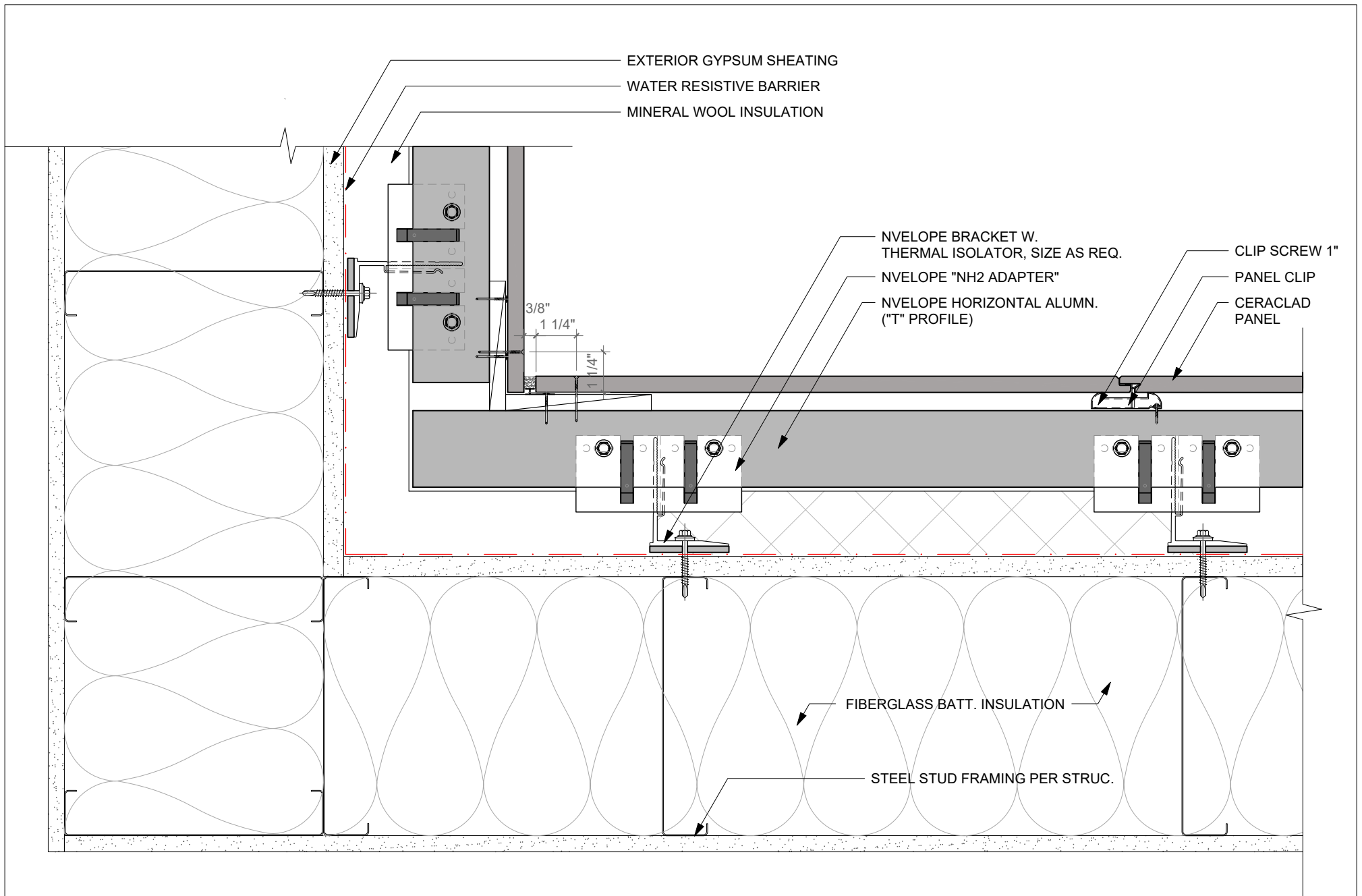
e. us.nvelope@sfsintec.biz
w. <http://www.nvelope.us>

System:

System: NH2-EF
Cladding: CERACLAD

Sheet Title: OUTSIDE CORNER DETAIL	
Sheet Title: 5/8/2018	Sheet Title: NH2-EF
Scale: 4"=1'-0"	Sheet Title: D-01b





GUIDE DETAILS BY SFS ARE PROVIDED FOR GENERAL REFERENCE ONLY AND REPRESENT TYPICAL CONDITIONS FOR CLADDING ATTACHMENT SYSTEMS. PROJECT SPECIFIC ENGINEERING IS REQUIRED TO ADDRESS WIND LOAD, CLADDING WEIGHT, TYPE, PROJECTION, SPACING, ETC. CONTACT SFS FOR ADDITIONAL INFORMATION. ANY AND ALL IMPLIED WARRANTIES INCLUDING APPROPRIATENESS FOR A SPECIFIC PURPOSE ARE EXPLICITLY EXCLUDED.

SFS Group USA, Inc
Construction Division
1045 Spring Street
Wyomissing, PA 19610
T: +1 (800) 234-4533

e. us.nvelope@sintec.biz
w. <http://www.nvelope.us>

System:

System: NH2-EF
Cladding: CERACLAD

Sheet Title:
INSIDE CORNER DETAIL

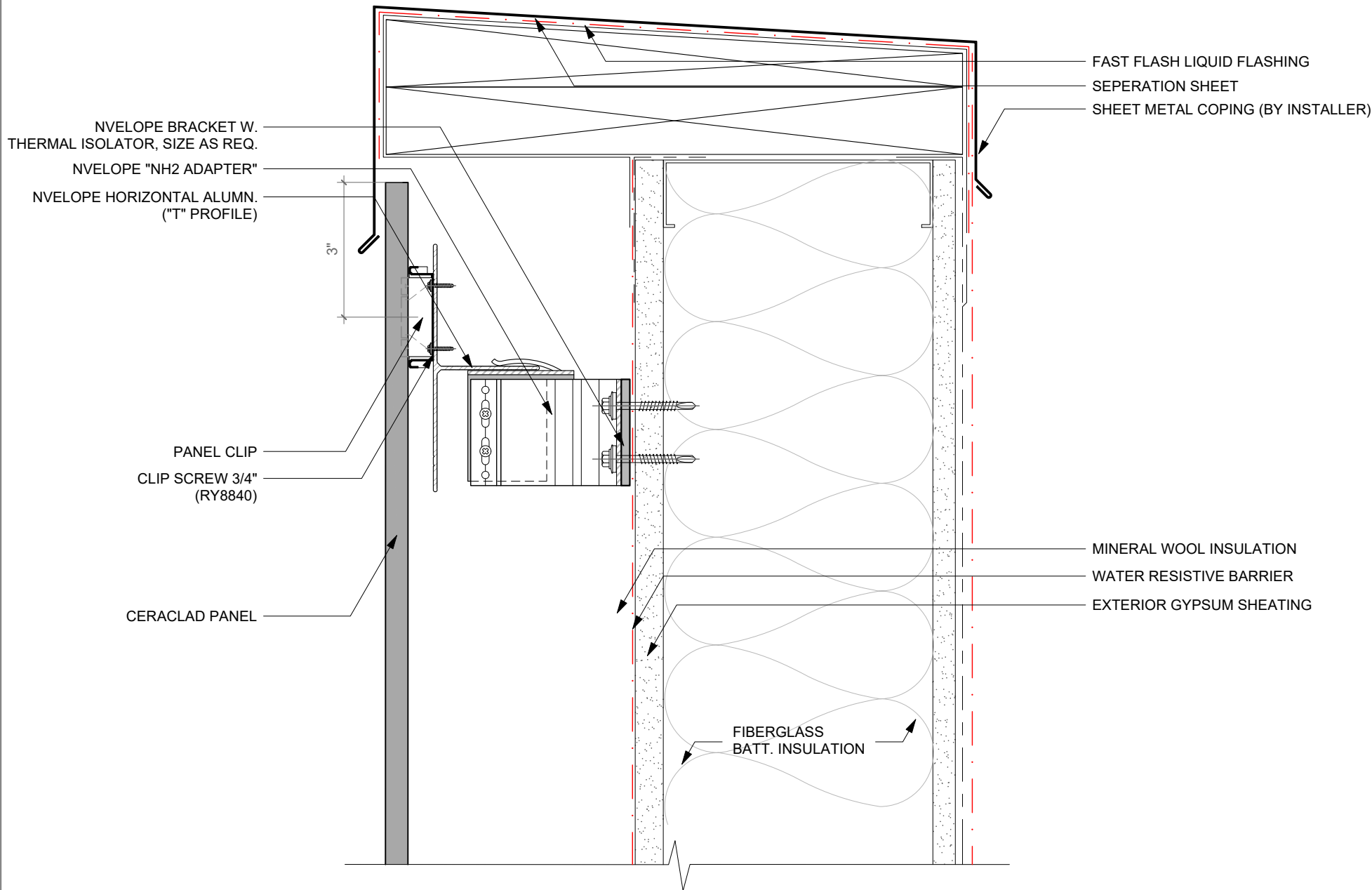
Sheet Title:
5/8/2018

Scale:
4"=1'-0"

Sheet Title:
NH2-EF

Sheet Title:
D-01c

NVELOPE
MAKING CLADDING HAPPEN
A brand of **SFS**



GUIDE DETAILS BY SFS ARE PROVIDED FOR GENERAL REFERENCE ONLY AND REPRESENT TYPICAL CONDITIONS FOR CLADDING ATTACHMENT SYSTEMS. PROJECT SPECIFIC ENGINEERING IS REQUIRED TO ADDRESS WIND LOAD, CLADDING WEIGHT, TYPE, PROJECTION, SPACING, ETC. CONTACT SFS FOR ADDITIONAL INFORMATION. ANY AND ALL IMPLIED WARRANTIES INCLUDING APPROPRIATENESS FOR A SPECIFIC PURPOSE ARE EXPLICITLY EXCLUDED.

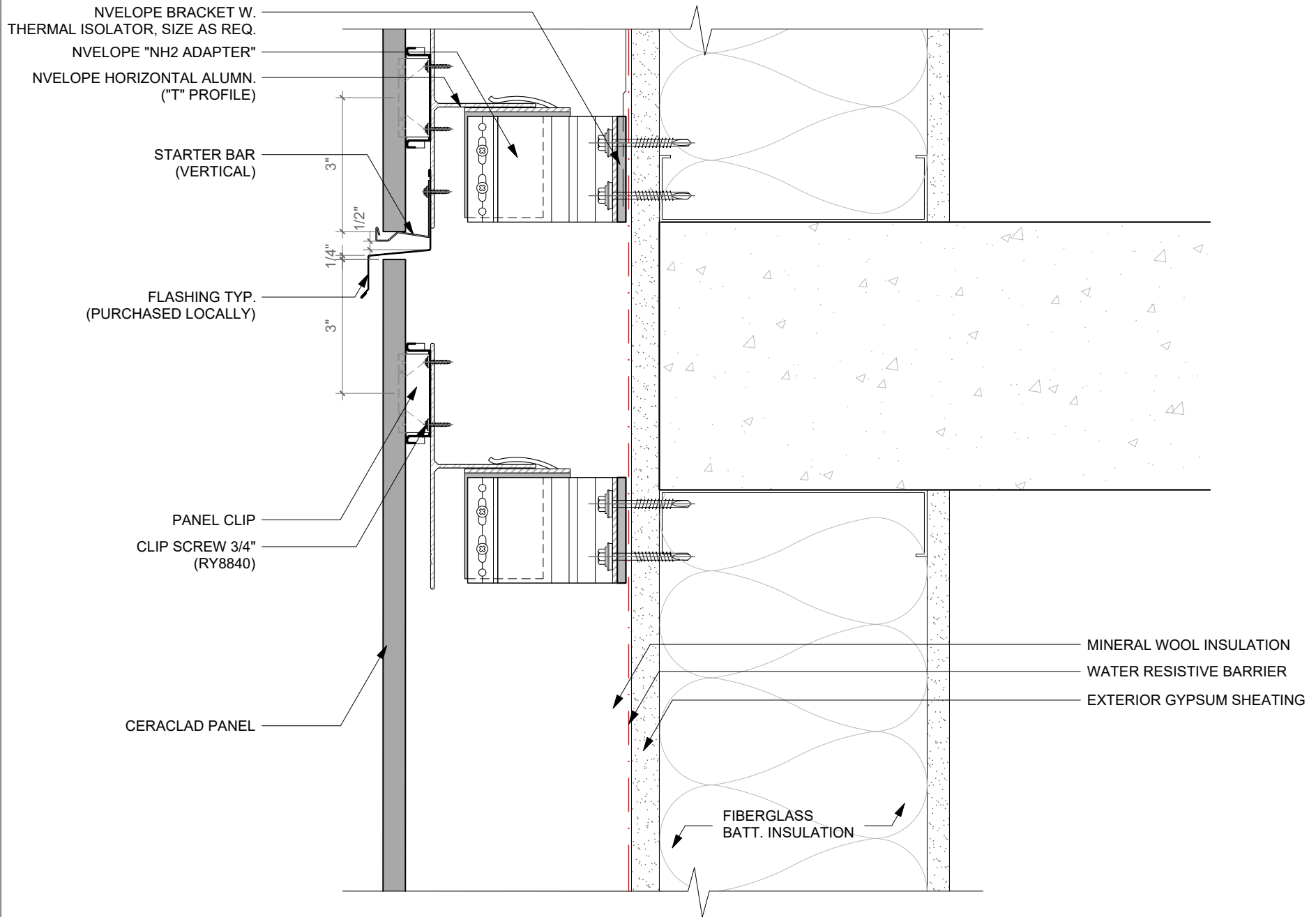
SFS Group USA, Inc
 Construction Division
 1045 Spring Street
 Wyomissing, PA 19610
 T: +1 (800) 234-4533

e. us.nvelope@sintec.biz
 w. http://www.nvelope.us

System:
System: NH2-EF
Cladding: CERACLAD

Sheet Title: PARAPET DETAIL	
Sheet Title: 5/8/2018	Sheet Title: NH2-EF
Scale: 4"=1'-0"	Sheet Title: D-02





GUIDE DETAILS BY SFS ARE PROVIDED FOR GENERAL REFERENCE ONLY AND REPRESENT TYPICAL CONDITIONS FOR CLADDING ATTACHMENT SYSTEMS. PROJECT SPECIFIC ENGINEERING IS REQUIRED TO ADDRESS WIND LOAD, CLADDING WEIGHT, TYPE, PROJECTION, SPACING, ETC. CONTACT SFS FOR ADDITIONAL INFORMATION. ANY AND ALL IMPLIED WARRANTIES INCLUDING APPROPRIATENESS FOR A SPECIFIC PURPOSE ARE EXPLICITLY EXCLUDED.

SFS Group USA, Inc
 Construction Division
 1045 Spring Street
 Wyomissing, PA 19610
 T: +1 (800) 234-4533

e. us.nvelope@sfinotec.biz
 w. http://www.nvelope.us

System:

System: NH2-EF
 Cladding: CERACLAD

Sheet Title: HORIZONTAL JOINT DETAIL

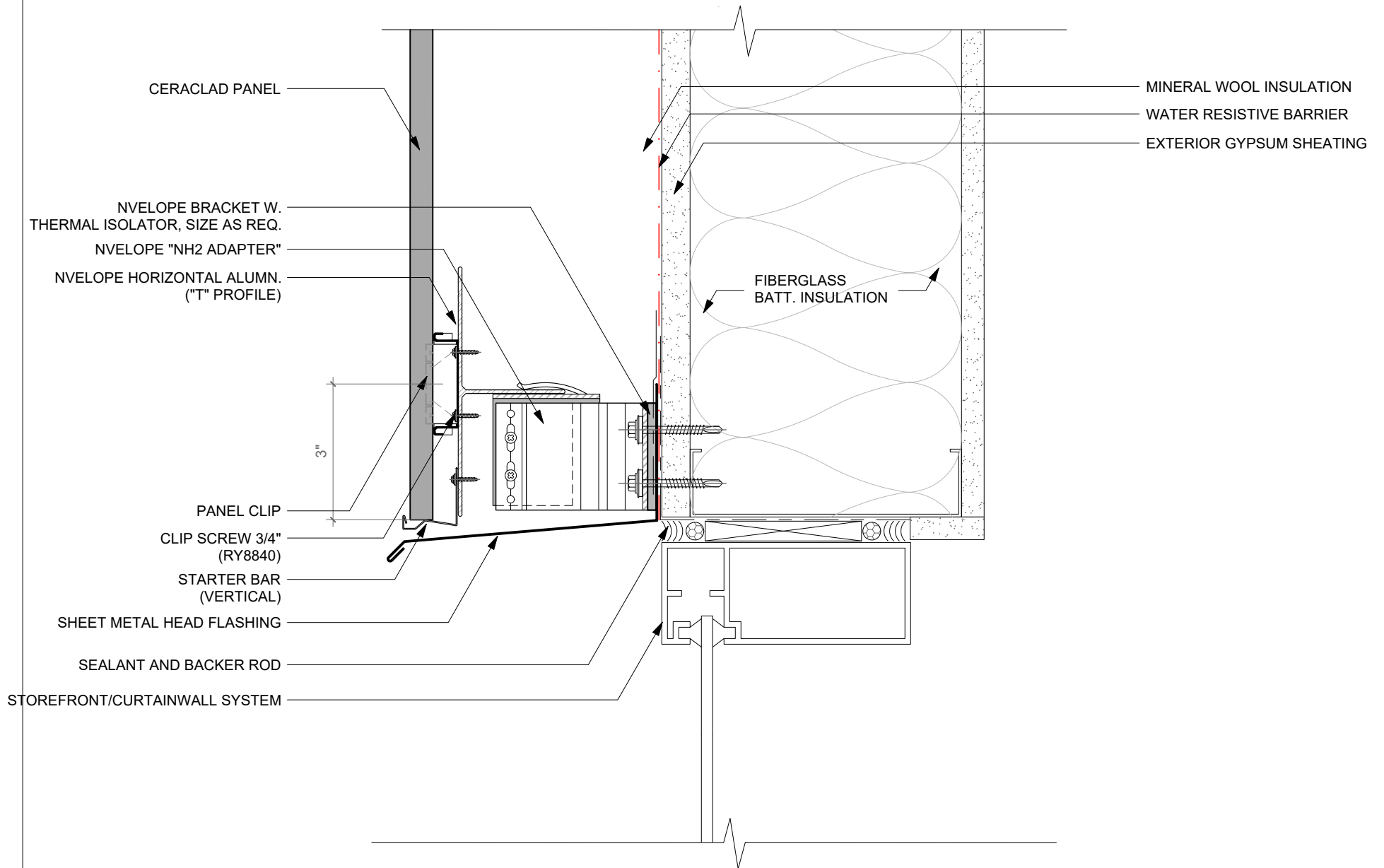
Sheet Title: 5/8/2018

Sheet Title: NH2-EF

Scale: 4"=1'-0"

Sheet Title: D-03





GUIDE DETAILS BY SFS ARE PROVIDED FOR GENERAL REFERENCE ONLY AND REPRESENT TYPICAL CONDITIONS FOR CLADDING ATTACHMENT SYSTEMS. PROJECT SPECIFIC ENGINEERING IS REQUIRED TO ADDRESS WIND LOAD, CLADDING WEIGHT, TYPE, PROJECTION, SPACING, ETC. CONTACT SFS FOR ADDITIONAL INFORMATION. ANY AND ALL IMPLIED WARRANTIES INCLUDING APPROPRIATENESS FOR A SPECIFIC PURPOSE ARE EXPLICITLY EXCLUDED.

SFS Group USA, Inc
 Construction Division
 1045 Spring Street
 Wyomissing, PA 19610
 T: +1 (800) 234-4533

e. us.nvelope@sfinotec.biz
 w. http://www.nvelope.us

System:

System: NH2-EF
 Cladding: CERACLAD

Sheet Title: WINDOW HEAD DETAIL-SECTION

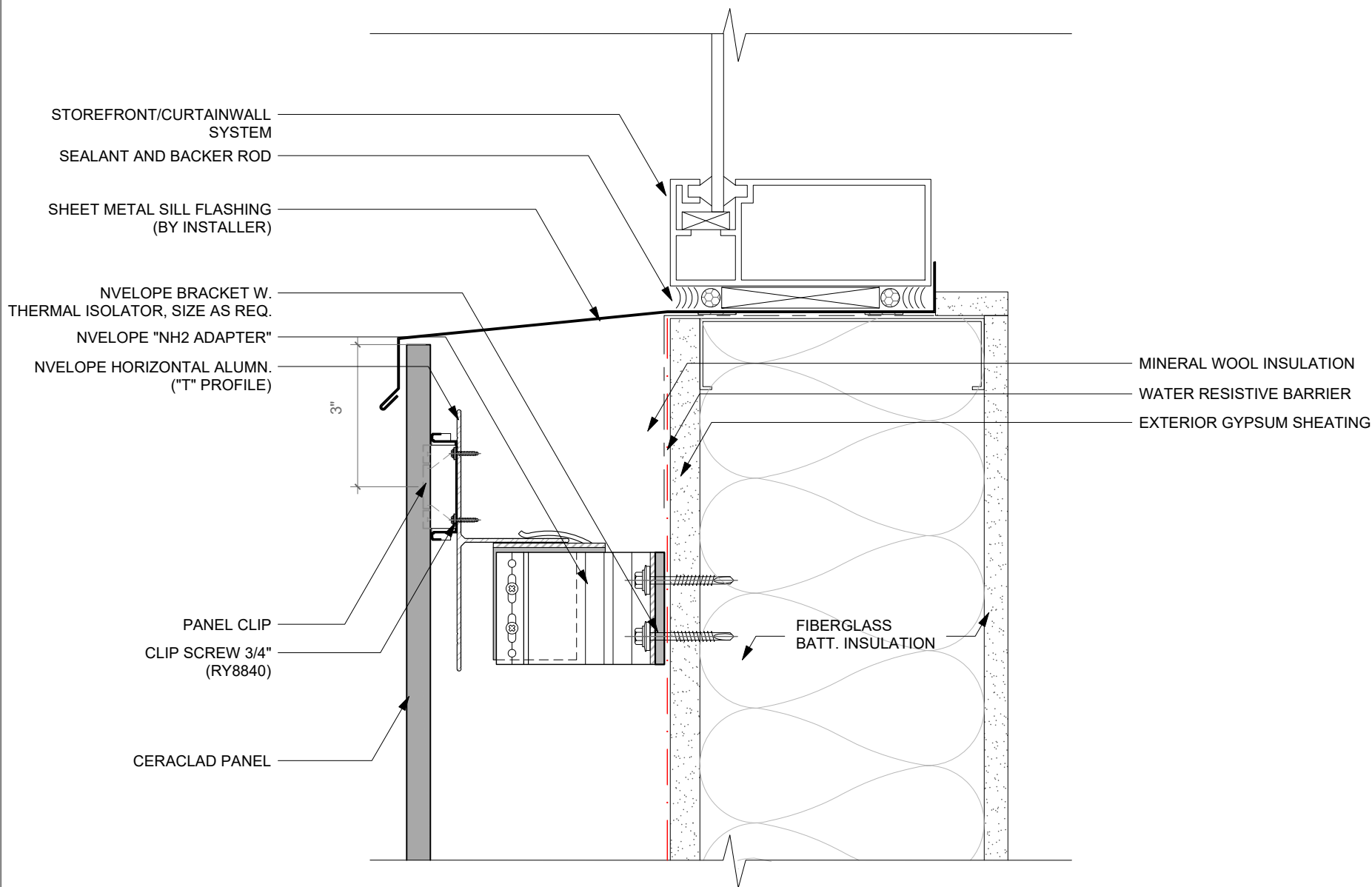
Sheet Title: 5/8/2018

Sheet Title: NH2-EF

Scale: 4"=1'-0"

Sheet Title: D-04





GUIDE DETAILS BY SFS ARE PROVIDED FOR GENERAL REFERENCE ONLY AND REPRESENT TYPICAL CONDITIONS FOR CLADDING ATTACHMENT SYSTEMS. PROJECT SPECIFIC ENGINEERING IS REQUIRED TO ADDRESS WIND LOAD, CLADDING WEIGHT, TYPE, PROJECTION, SPACING, ETC. CONTACT SFS FOR ADDITIONAL INFORMATION. ANY AND ALL IMPLIED WARRANTIES INCLUDING APPROPRIATENESS FOR A SPECIFIC PURPOSE ARE EXPLICITLY EXCLUDED.

SFS Group USA, Inc
Construction Division
1045 Spring Street
Wyomissing, PA 19610
T: +1 (800) 234-4533

e. us.nvelope@sintec.biz
w. <http://www.nvelope.us>

System:

System: NH2-EF
Cladding: CERACLAD

Sheet Title: WINDOW SILL DETAIL-SECTION

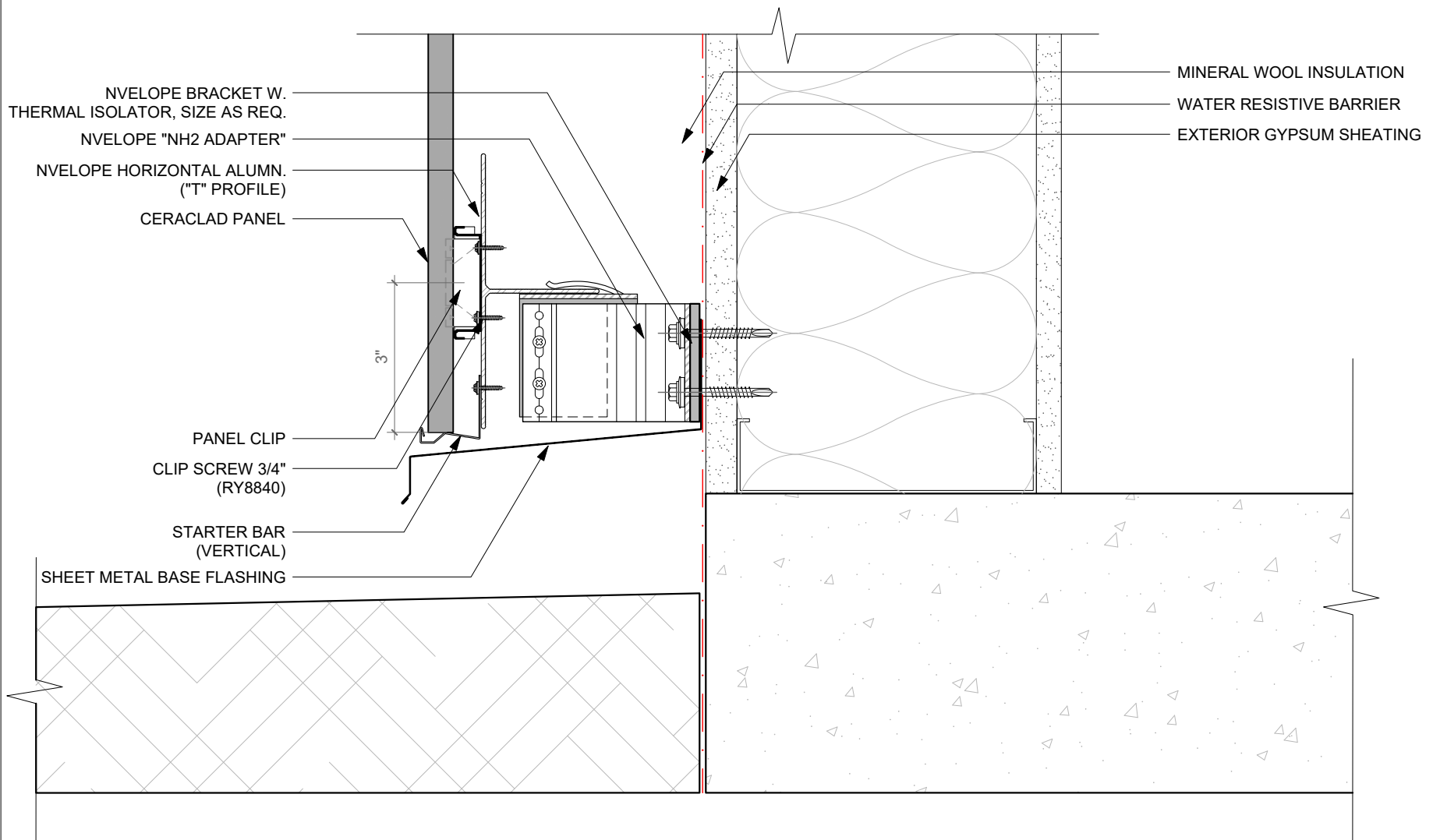
Sheet Title: 5/8/2018

Scale: 4"=1'-0"

Sheet Title: NH2-EF

Sheet Title: D-05

NVELOPE
MAKING CLADDING HAPPEN
A brand of **SFS**



NVELOPE BRACKET W.
THERMAL ISOLATOR, SIZE AS REQ.
NVELOPE "NH2 ADAPTER"
NVELOPE HORIZONTAL ALUMN.
("T" PROFILE)
CERACLAD PANEL
3"
PANEL CLIP
CLIP SCREW 3/4"
(RY8840)
STARTER BAR
(VERTICAL)
SHEET METAL BASE FLASHING

MINERAL WOOL INSULATION
WATER RESISTIVE BARRIER
EXTERIOR GYPSUM SHEATING

GUIDE DETAILS BY SFS ARE PROVIDED FOR GENERAL REFERENCE ONLY AND REPRESENT TYPICAL CONDITIONS FOR CLADDING ATTACHMENT SYSTEMS. PROJECT SPECIFIC ENGINEERING IS REQUIRED TO ADDRESS WIND LOAD, CLADDING WEIGHT, TYPE, PROJECTION, SPACING, ETC. CONTACT SFS FOR ADDITIONAL INFORMATION. ANY AND ALL IMPLIED WARRANTIES INCLUDING APPROPRIATENESS FOR A SPECIFIC PURPOSE ARE EXPLICITLY EXCLUDED.

SFS Group USA, Inc
Construction Division
1045 Spring Street
Wyomissing, PA 19610
T: +1 (800) 234-4533
e. us.nvelope@sintec.biz
w. <http://www.nvelope.us>

System:
System: NH2-EF
Cladding: CERACLAD

Sheet Title: BASE DETAIL	
Sheet Title: 5/8/2018	Sheet Title: NH2-EF
Scale: 4"=1'-0"	Sheet Title: D-06

NVELOPE
MAKING CLADDING HAPPEN

A brand of **SFS**